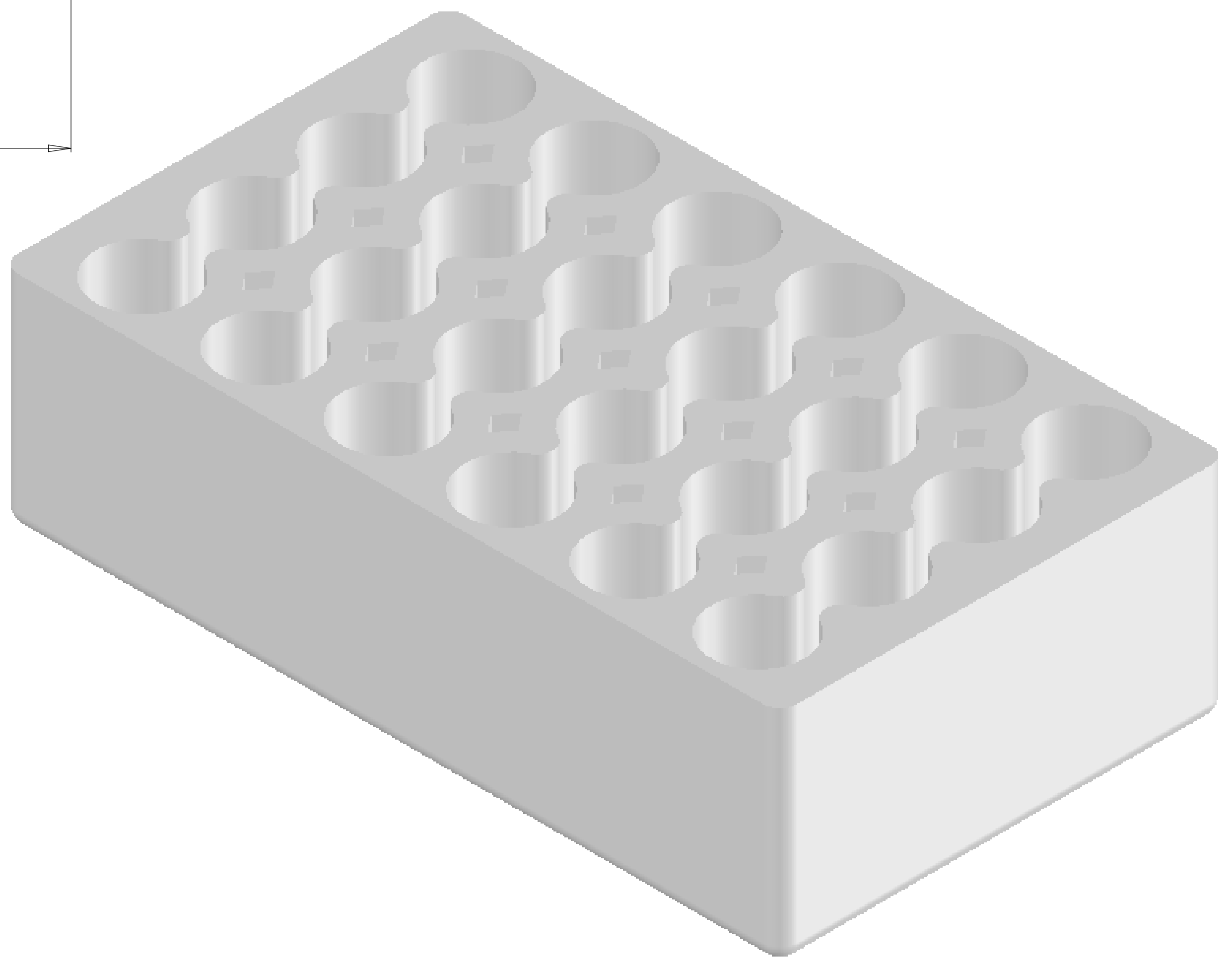
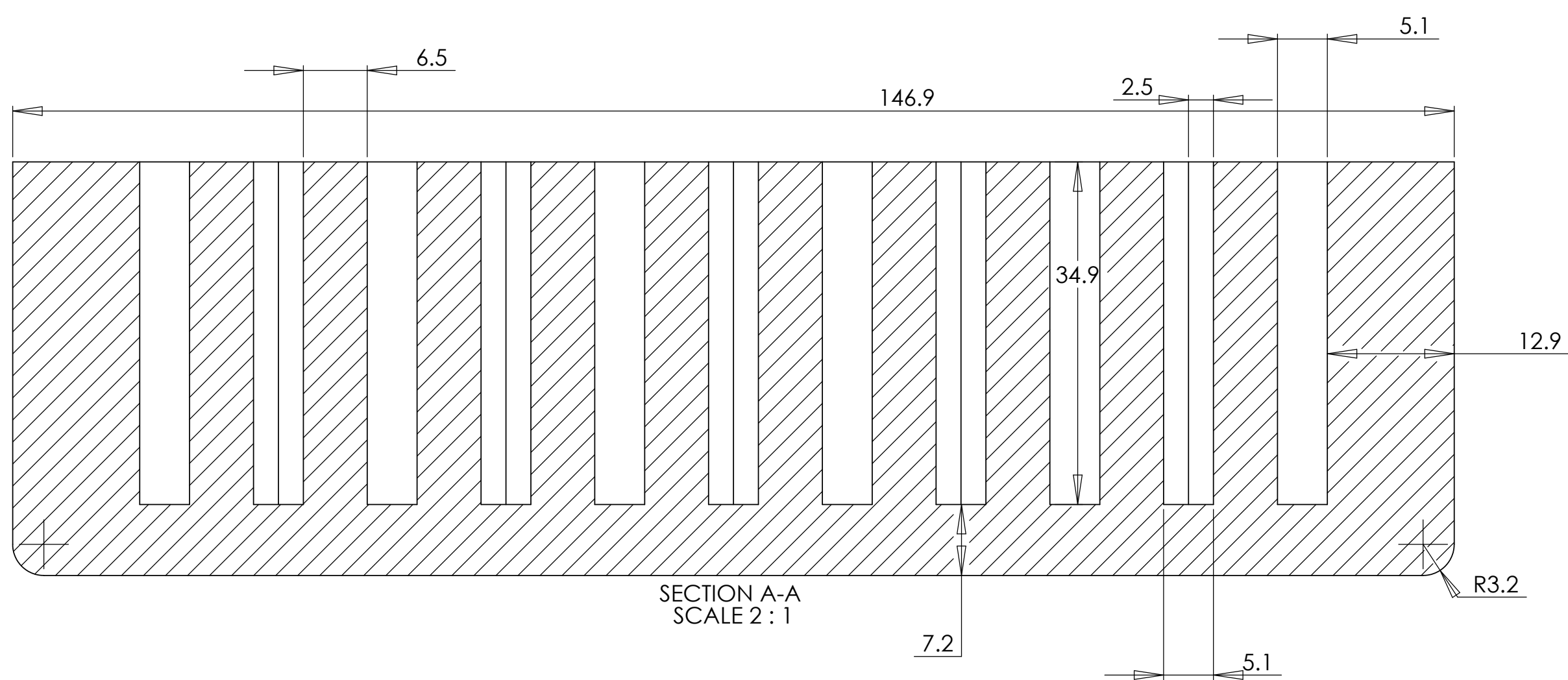


- Note:
- 1) Material To be 64g/l density (4.0 lb/ft³) EPS
 - 2) 1 Degree Draft TYP
 - 3) Volume = 18.3 cubic inches



PROPRIETARY AND CONFIDENTIAL
 THE INFORMATION CONTAINED IN THIS DRAWING IS THE SOLE PROPERTY OF Tempco Plastics Co., Inc. ANY REPRODUCTION IN PART OR AS A WHOLE WITHOUT THE WRITTEN PERMISSION OF Tempco Plastics Co., Inc. IS PROHIBITED.

UNLESS OTHERWISE SPECIFIED:		NAME	DATE
DIMENSIONS ARE IN Millimeters		Cucaron	6/30/05
TOLERANCES:			
FRACTIONAL ±	CHECKED		
ANGULAR MATCH ±	ENG APPR:		
BEND ±	MFG APPR:		
TWO PLACE DECIMAL ±			
THREE PLACE DECIMAL ±			
INTERPRET GEOMETRIC TOLERANCING PER:		Q.A.	
MATERIAL		COMMENTS:	
NEXT ASSY	USED ON	FINISH	
APPLICATION			

TITLE:		
24 R x 650		
SIZE	DWG. NO.	REV
D	1	
SCALE: 1:1	SHEET 1 OF 1	