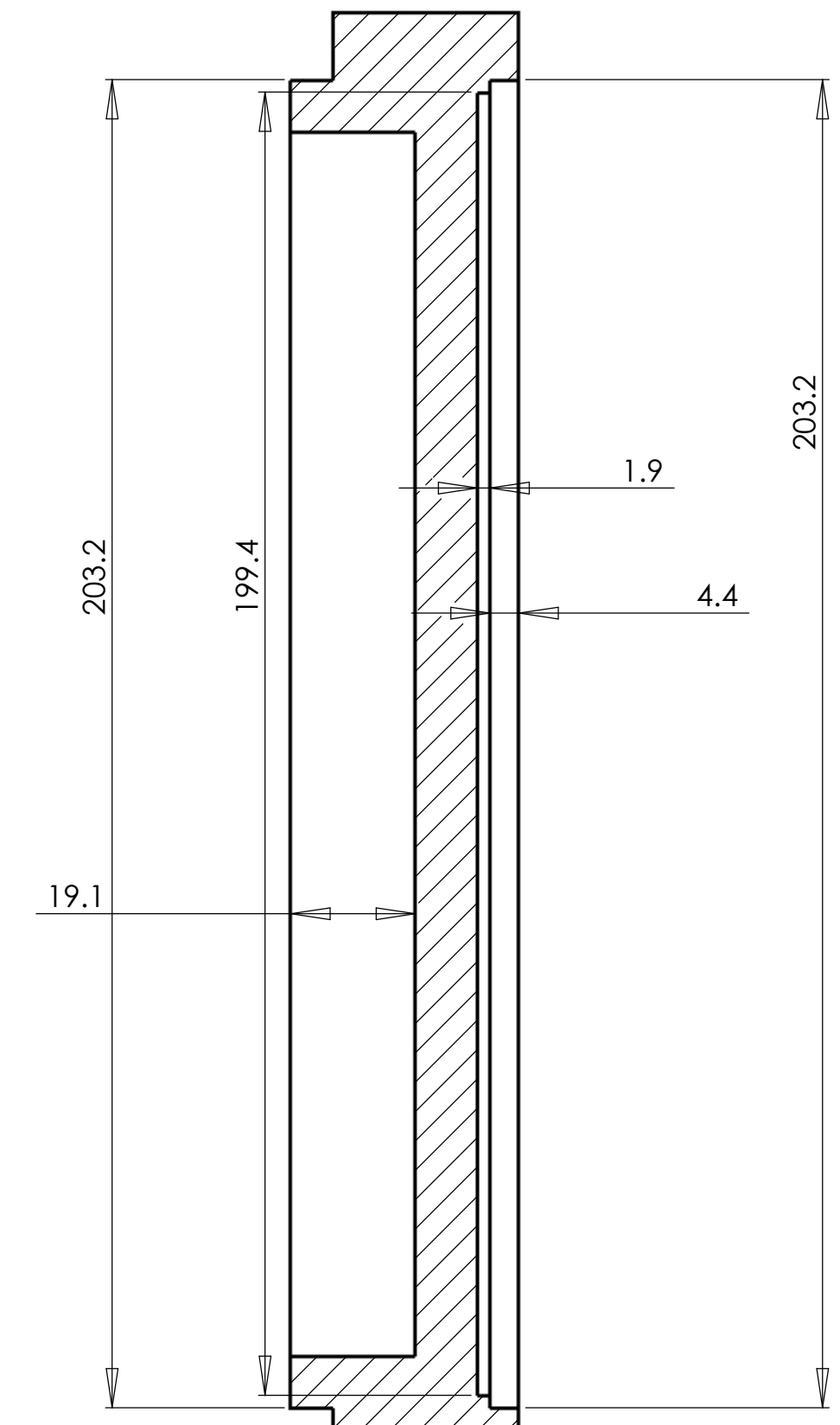
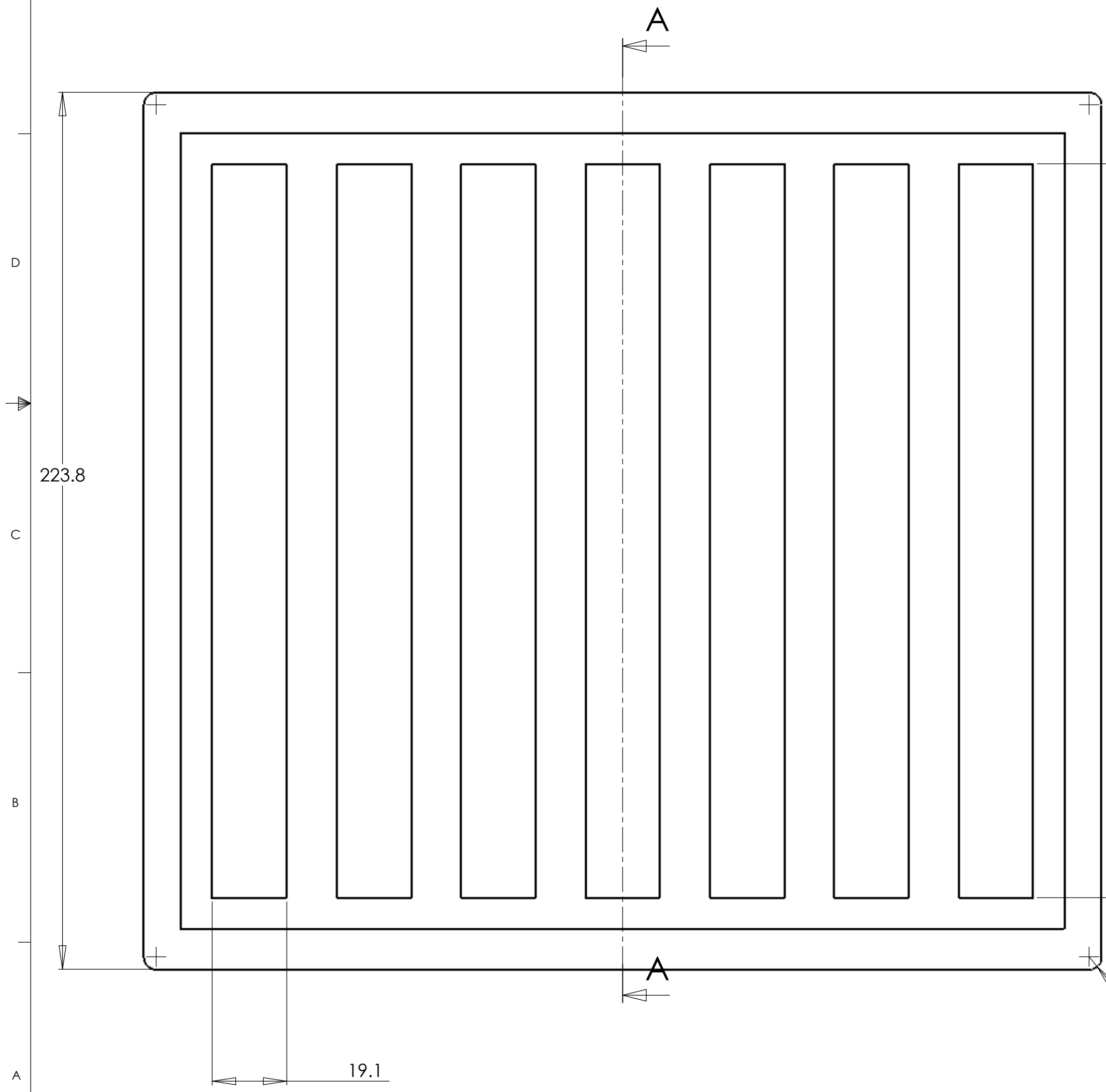
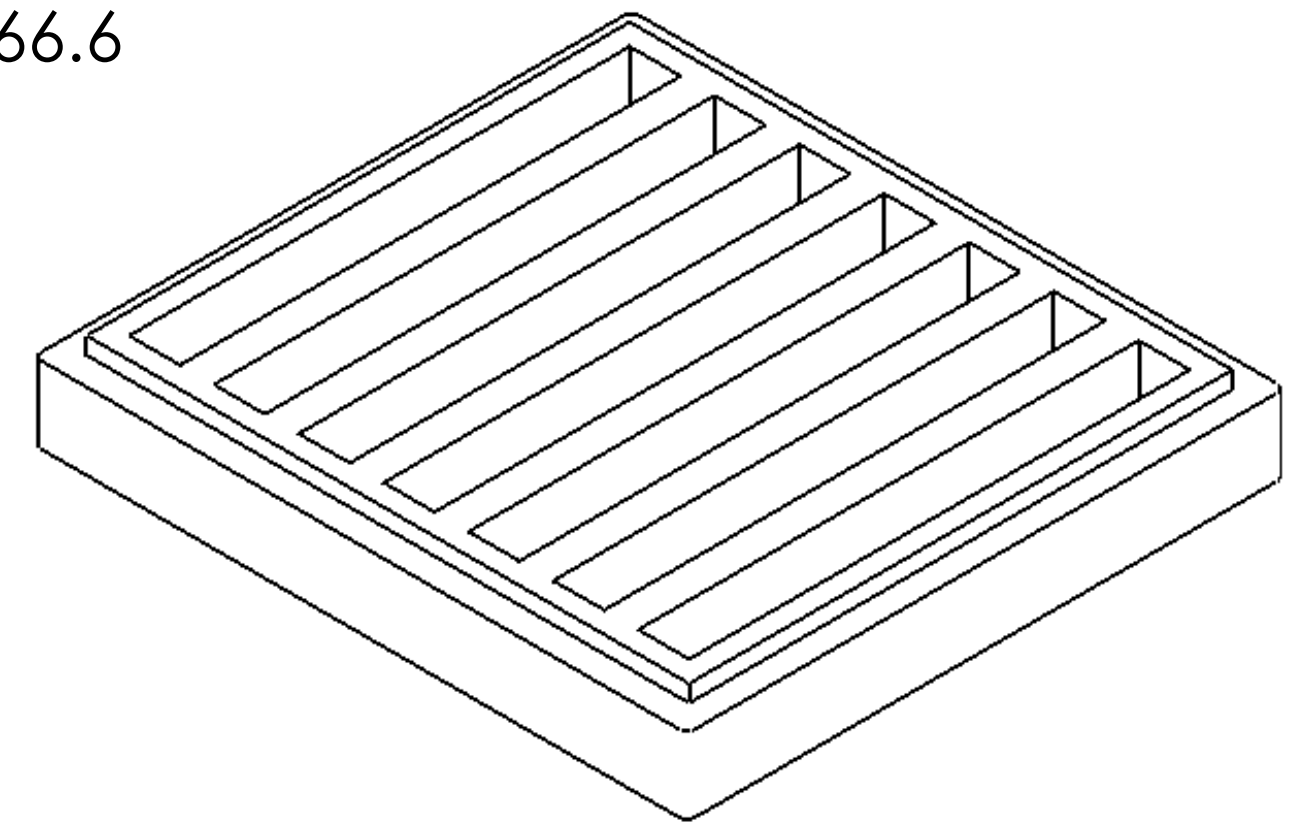


Note: Volume = 66.6 cubic inches



SECTION A-A  
SCALE 1:1

**PROPRIETARY AND CONFIDENTIAL**  
THE INFORMATION CONTAINED IN THIS DRAWING IS THE SOLE PROPERTY OF Tempo Plastic Co Inc. ANY REPRODUCTION IN PART OR AS A WHOLE WITHOUT THE WRITTEN PERMISSION OF Tempo Plastic Co Inc IS PROHIBITED.

|           |         |                                      |  |           |        |         |              |
|-----------|---------|--------------------------------------|--|-----------|--------|---------|--------------|
|           |         | UNLESS OTHERWISE SPECIFIED:          |  | NAME      | DATE   |         |              |
|           |         | DIMENSIONS ARE IN millimeters        |  | DRAWN     | Cugron | 6/24/05 |              |
|           |         | TOLERANCES:                          |  | CHECKED   |        |         | TITLE:       |
|           |         | FRACTIONAL ±                         |  | ENG APPR. |        |         | 7S-7500      |
|           |         | ANGULAR: MATCH ± BEND ±              |  | MFG APPR. |        |         |              |
|           |         | TWO PLACE DECIMAL ±                  |  | Q.A.      |        |         | SIZE         |
|           |         | THREE PLACE DECIMAL ±                |  | COMMENTS: |        |         | DWG. NO.     |
|           |         | INTERPRET GEOMETRIC TOLERANCING PER: |  |           |        |         | 1            |
|           |         | MATERIAL                             |  |           |        |         | REV          |
|           |         | FINISH                               |  |           |        |         |              |
| NEXT ASSY | USED ON | DO NOT SCALE DRAWING                 |  |           |        |         | SCALE: 1:1   |
|           |         |                                      |  |           |        |         | WEIGHT:      |
|           |         |                                      |  |           |        |         | SHEET 1 OF 1 |