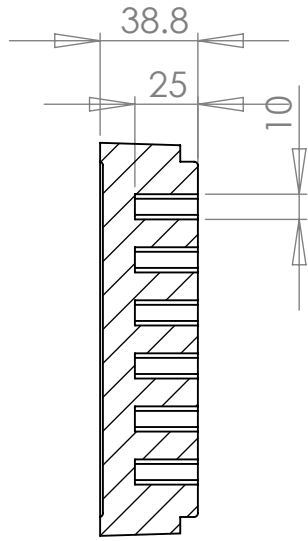
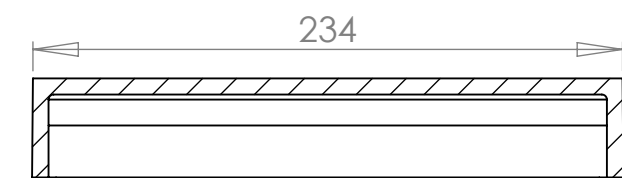
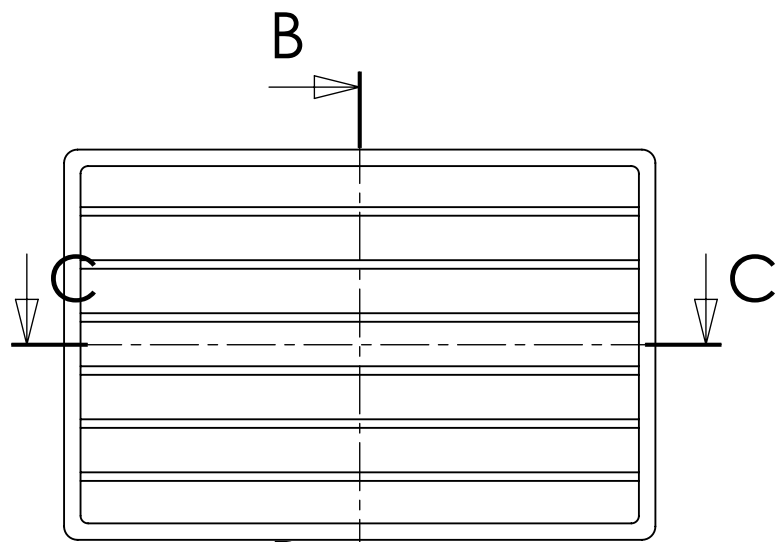


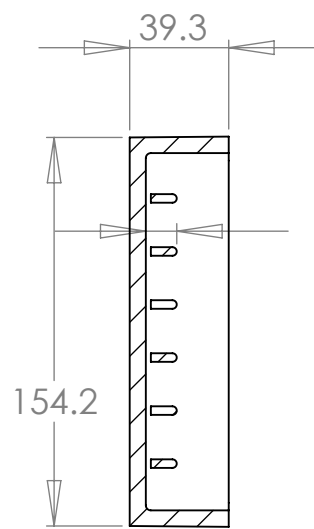
SECTION D-D
SCALE 1 : 3



SECTION F-F
SCALE 1 : 3



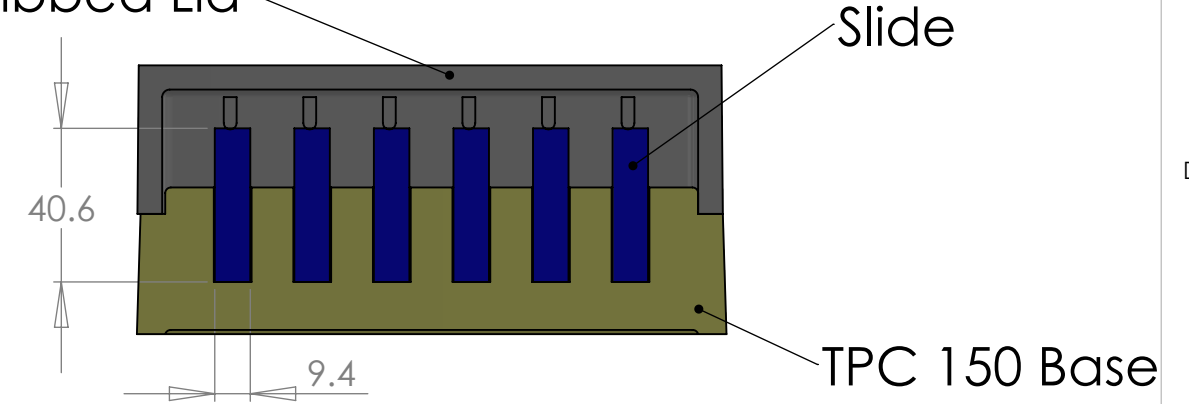
SECTION C-C
SCALE 1 : 3



SECTION B-B
SCALE 1 : 3

PROPRIETARY AND CONFIDENTIAL
THE INFORMATION CONTAINED IN THIS DRAWING IS THE SOLE PROPERTY OF **Tempo Plastic Co., Inc.** ANY REPRODUCTION IN PART OR AS A WHOLE WITHOUT THE WRITTEN PERMISSION OF **Tempo Plastic Co., Inc.** IS PROHIBITED.

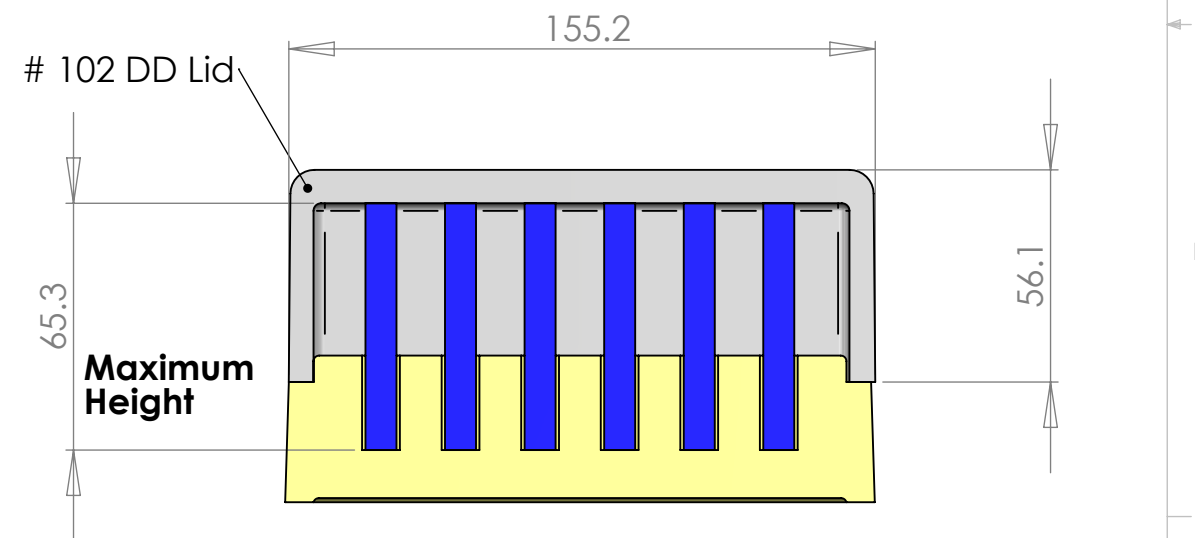
TPC 150 Ribbed Lid



Cross section of assembled box

Note:

- 1) Material To be 52g/l density (3.0 lb/ft³)
Static Dissipative EPS
- 2) 1 Degree Draft TYP
- 3)



		UNLESS OTHERWISE SPECIFIED:		NAME	DATE	Tempo Plastic Co., Inc.	
		DIMENSIONS ARE IN INCHES TOLERANCES: FRACTIONAL ± ANGULAR: MACH ± BEND ± TWO PLACE DECIMAL ± THREE PLACE DECIMAL ±		DRAWN	JUNIOR		
		INTERPRET GEOMETRIC TOLERANCING PER:		CHECKED			TITLE: TPC 150 Base & Lid
		MATERIAL		ENG APPR.			
		FINISH		MFG APPR.			SIZE DWG. NO. REV
NEXT ASSY	USED ON	DO NOT SCALE DRAWING		Q.A.			SCALE: 1:3 SHEET 1 OF 1
APPLICATION				COMMENTS:			