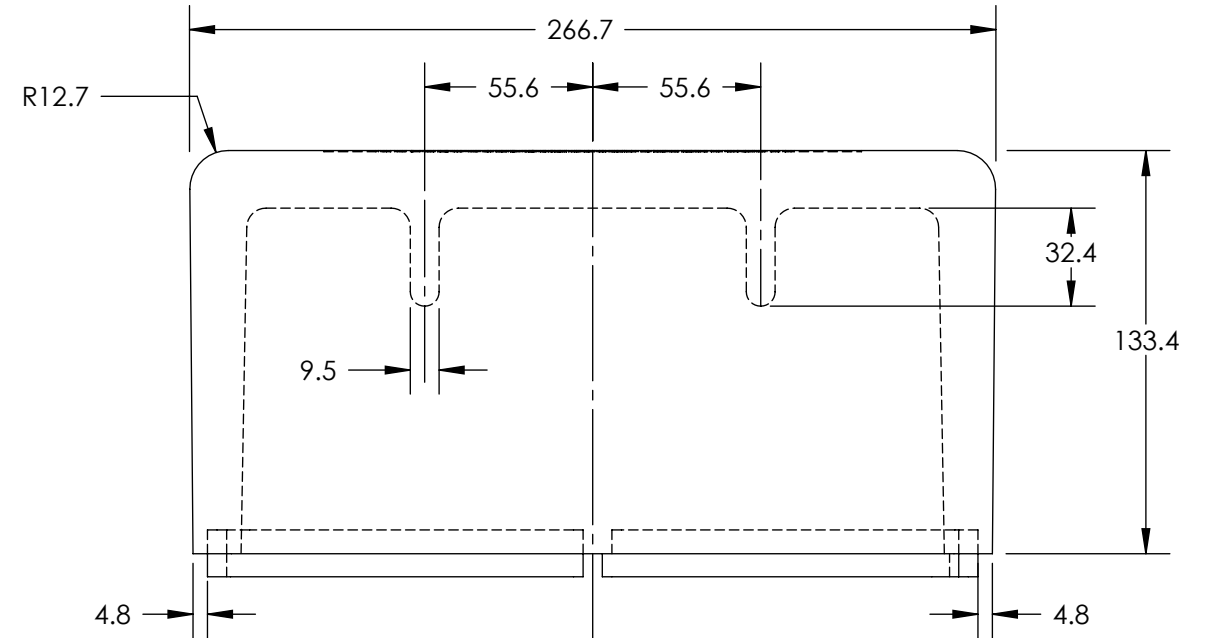
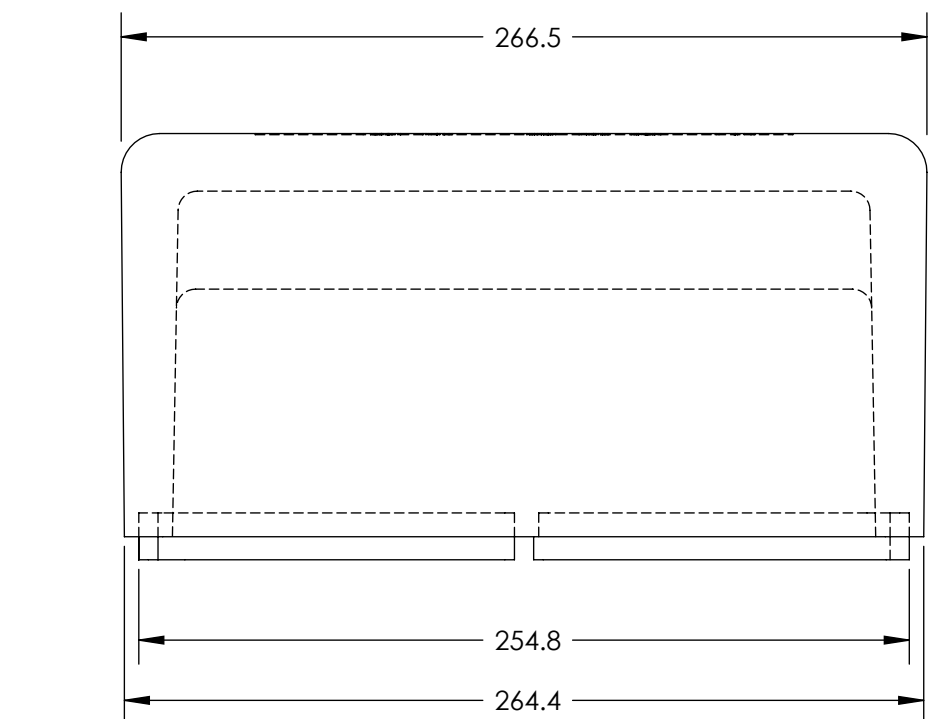
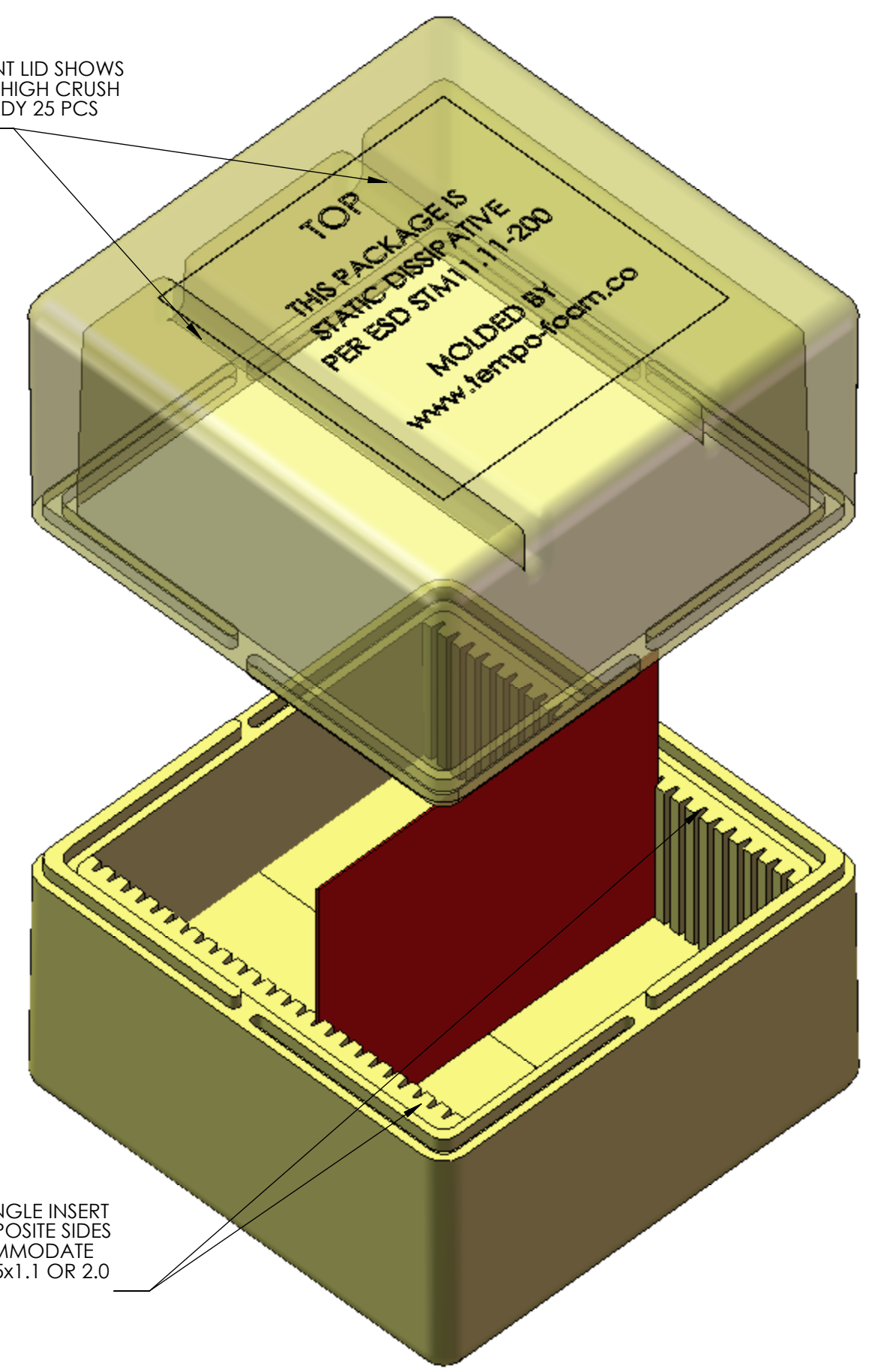
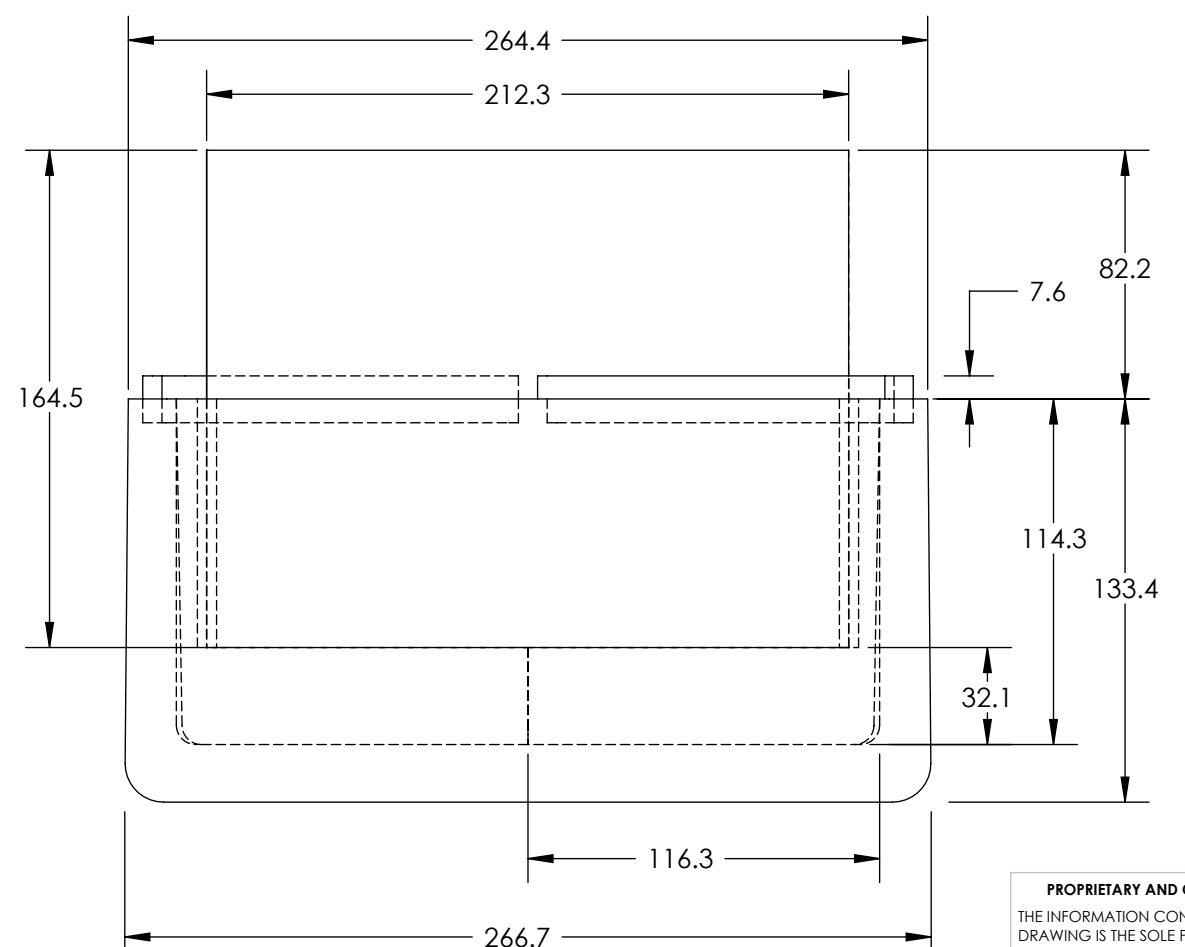
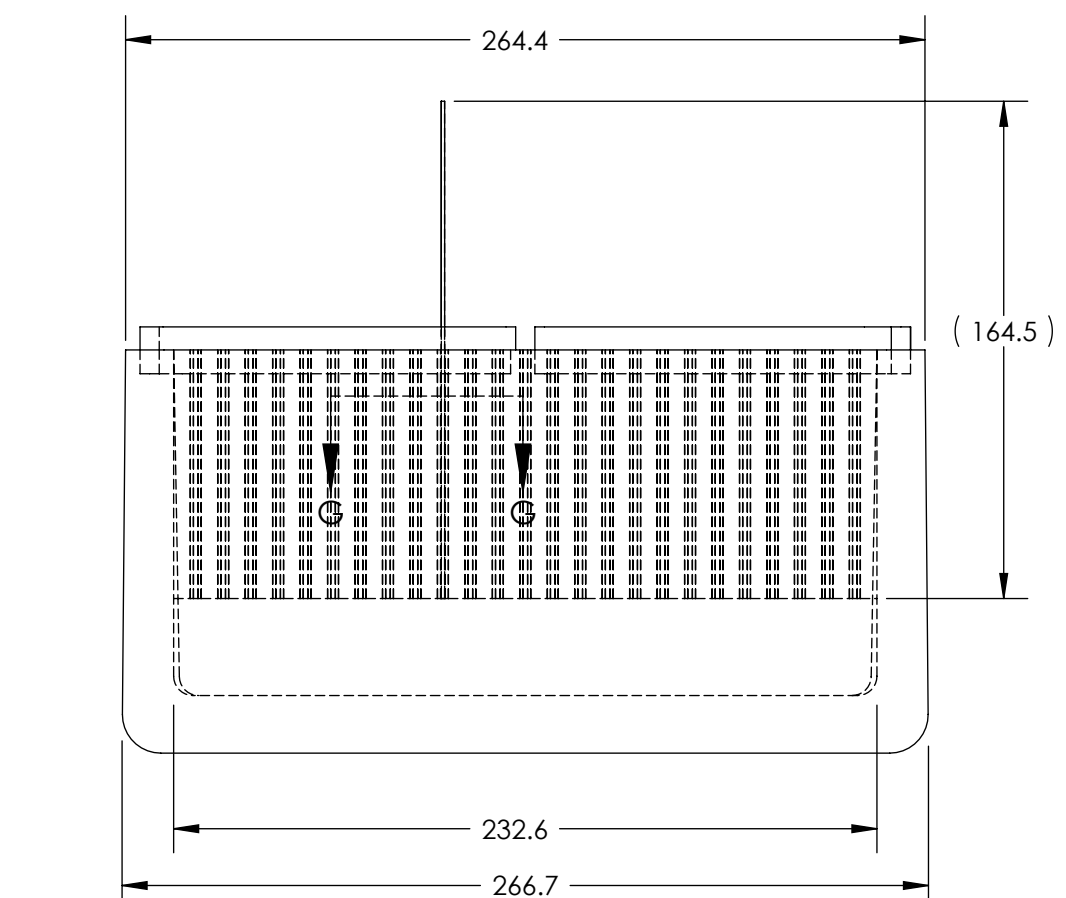


TRANSPARENT LID SHOWS (2) 32.4 mm HIGH CRUSH RIBS TO STEADY 25 PCS OF GLASS



SPACER ANGLE INSERT ON (2) OPPOSITE SIDES TO ACCOMMODATE 212.3x164.5x1.1 OR 2.0 THK GLASS



PROPRIETARY AND CONFIDENTIAL
THE INFORMATION CONTAINED IN THIS DRAWING IS THE SOLE PROPERTY OF TEMPO PLASTIC CO., INC. ANY REPRODUCTION IN PART OR AS A WHOLE WITHOUT THE WRITTEN PERMISSION OF TEMPO PLASTIC CO., INC. IS PROHIBITED.

NOTES:

- 1- MATERIAL: DRY MOLDED POLYSTYRENE, 63 gm/liter
- 2- ALL DIMENSIONS ARE IN MILLIMETERS
- 3- WEIGHT: gm
- 4- VOLUME: CU CENTIMETERS

UNLESS OTHERWISE SPECIFIED:		NAME	DATE	TEMPO PLASTIC CO., INC. 1227 N. MILLER PARK COURT VISALIA, CA 93291
DIMENSIONS ARE IN INCHES		DRAWN	J ELLIS	14Apr07
TOLERANCES:		CHECKED	DBR	14Apr07
FRACTIONAL ±		ENG APPR.		
ANGULAR: MATCH ±		MFG APPR.	DBR	14Apr07
BEND ±		Q.A.		
TWO PLACE DECIMAL ±		COMMENTS:		
THREE PLACE DECIMAL ±				
INTERPRET GEOMETRIC TOLERANCING PER:				
MATERIAL				
FINISH				
NEXT ASSY	USED ON			
APPLICATION	DO NOT SCALE DRAWING			
TITLE:		SIZE	DWG. NO.	REV
BASE LID INSERT PKG		C	041407JRE2	
#TPC-390 ASSY FOR		SCALE: 1:5	WEIGHT:	SHEET 1 OF 1
212.3x164.5x1.1 OR 2.0				
THK GLASS				