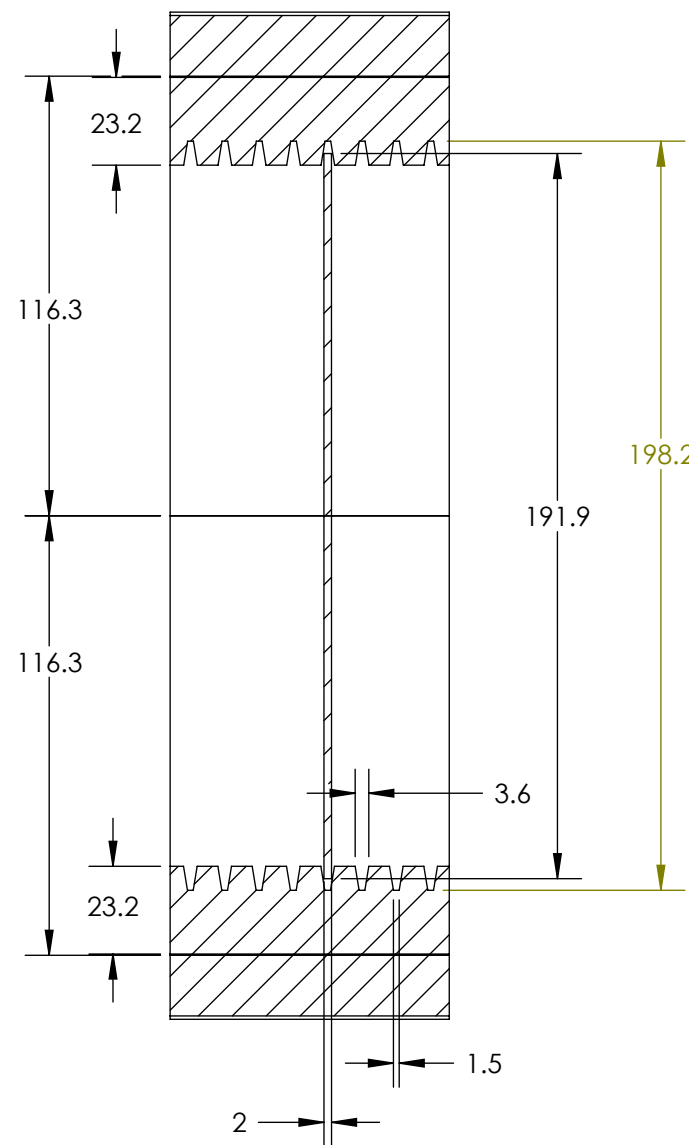
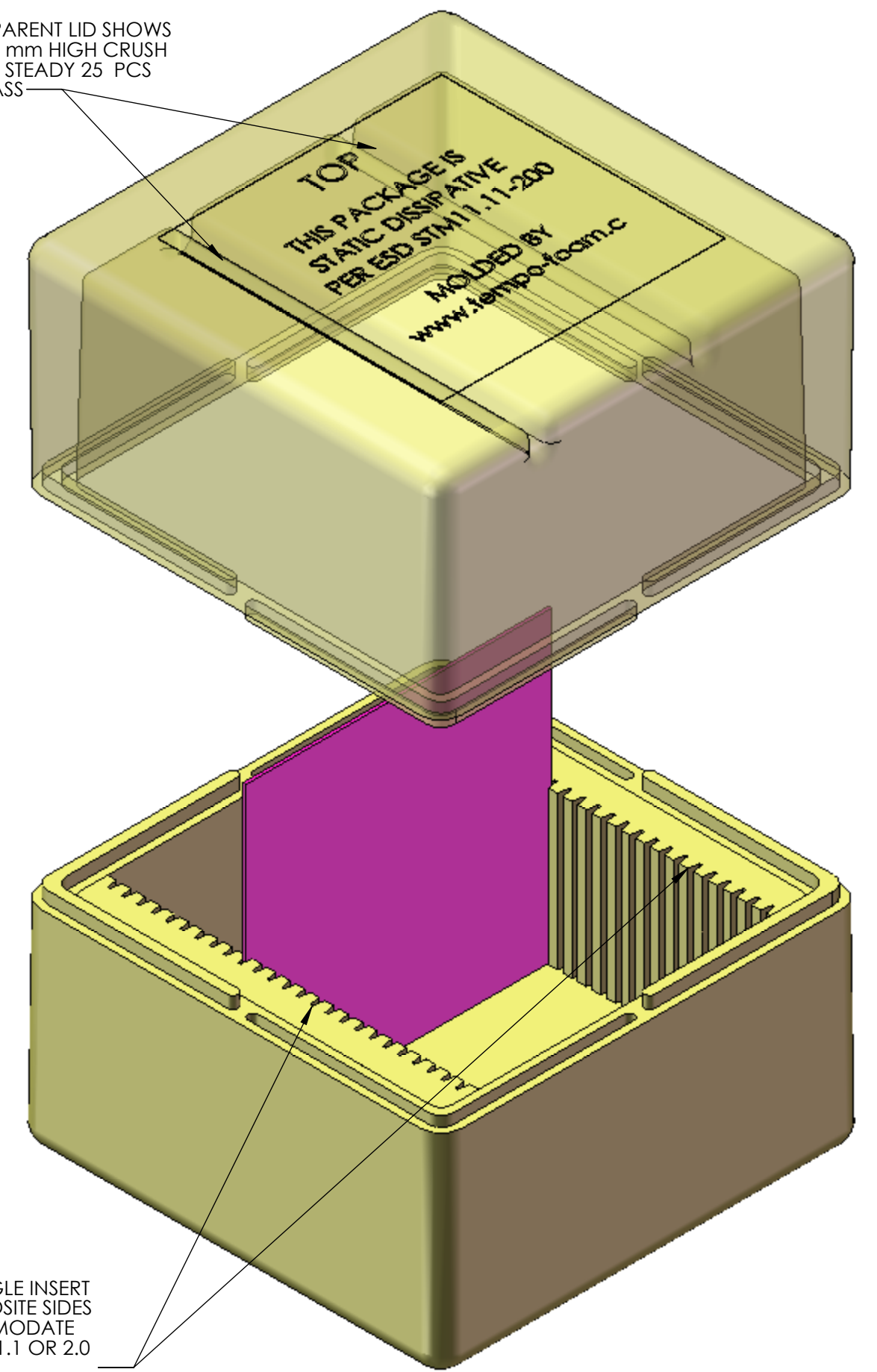


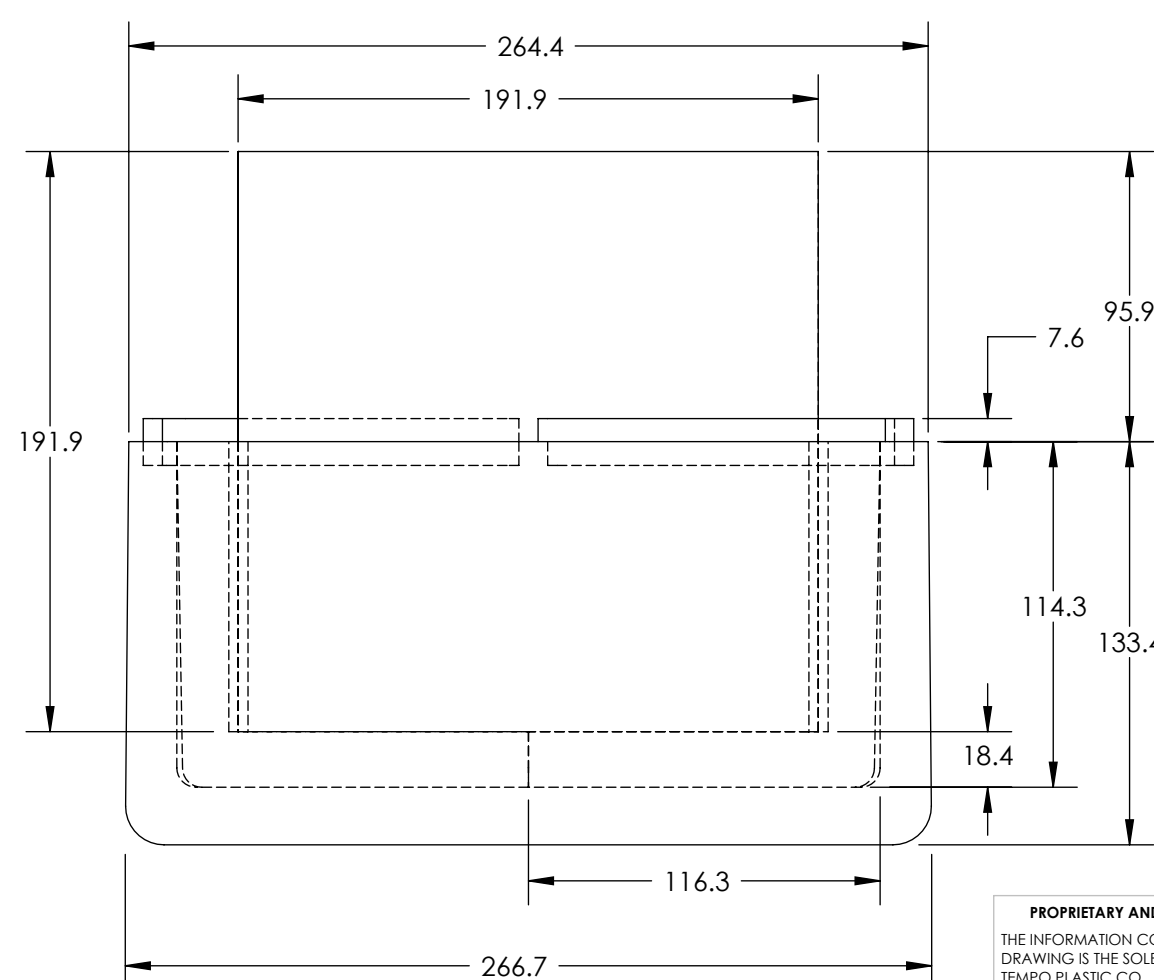
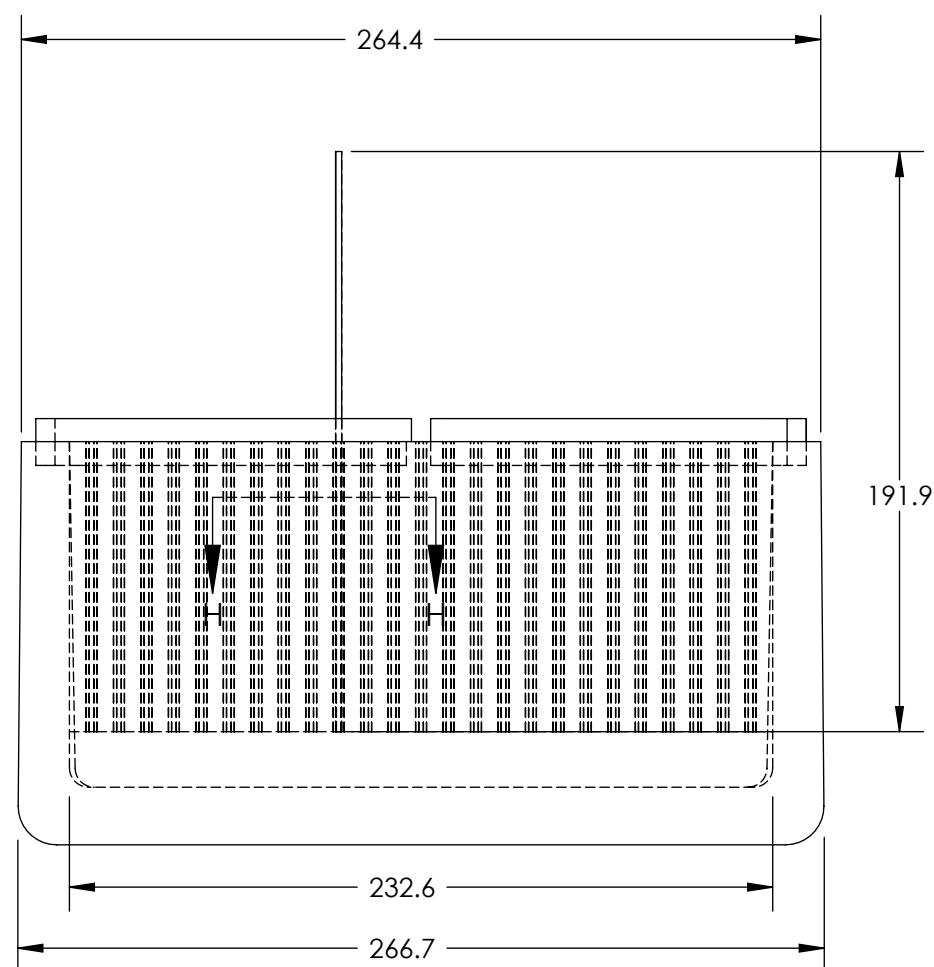
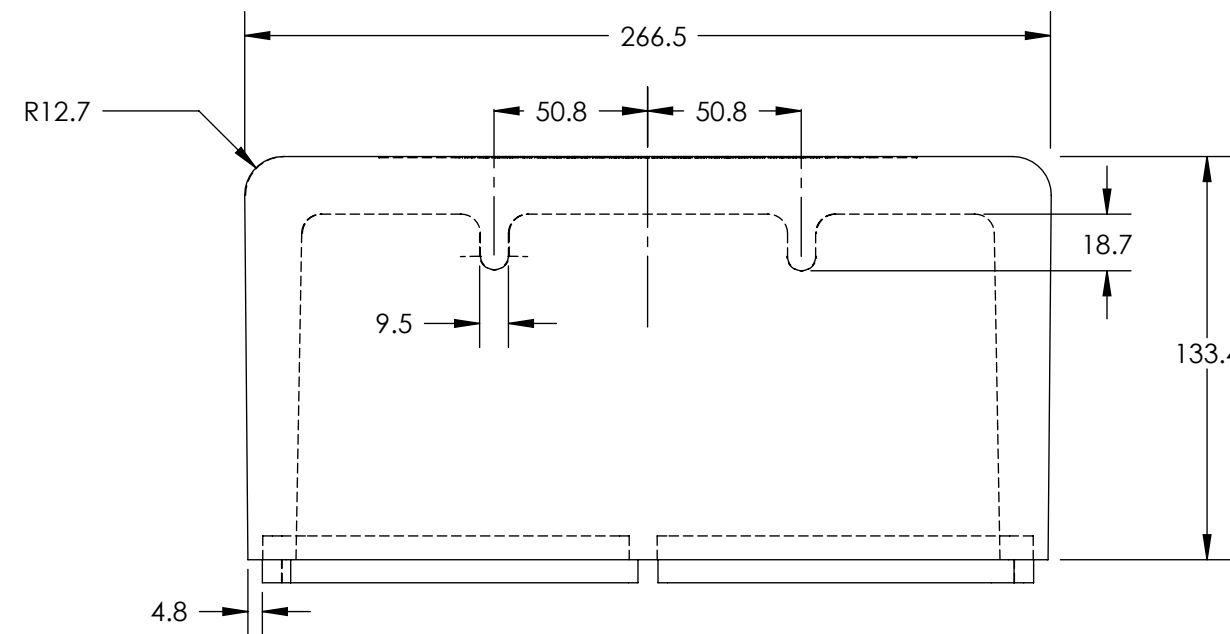
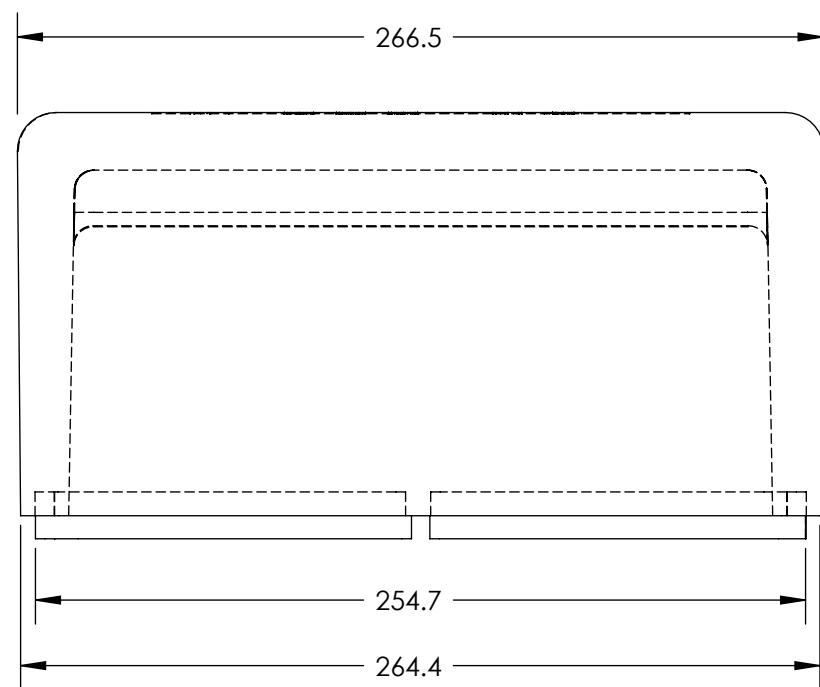
SECTION H-H
SCALE 1 : 2



TRANSPARENT LID SHOWS
(2) 18.7 mm HIGH CRUSH
RIBS TO STEADY 25 PCS
OF GLASS



SPACER ANGLE INSERT
ON (2) OPPOSITE SIDES
TO ACCOMMODATE
191.9x191.9x1.1 OR 2.0
THK GLASS



NOTES:

- 1- MATERIAL: DRY MOLDED POLYSTYRENE, 63 gm/liter
- 2- ALL DIMENSIONS ARE IN MILLIMETERS
- 3- WEIGHT: gm
- 4- VOLUME: CU CENTIMETERS

PROPRIETARY AND CONFIDENTIAL
THE INFORMATION CONTAINED IN THIS
DRAWING IS THE SOLE PROPERTY OF
TEMPO PLASTIC CO., INC. ANY
REPRODUCTION IN PART OR AS A WHOLE
WITHOUT THE WRITTEN PERMISSION OF
TEMPO PLASTIC CO., INC. IS
PROHIBITED.

UNLESS OTHERWISE SPECIFIED:		NAME	DATE	TEMPO PLASTIC CO., INC. 1227 N. MILLER PARK COURT VISALIA, CA 93291
DIMENSIONS ARE IN INCHES	DRAWN	J ELLIS	15Apr07	TITLE: BASE LID INSERT PKG #TPC-390 ASSY FOR 191.9x191.9x1.1 O R2.0 THK GLASS
TOLERANCES: FRACTIONAL ± ANGULAR: MACH ± BEND ± TWO PLACE DECIMAL ± THREE PLACE DECIMAL ±	CHECKED	DBR	15Apr07	
INTERPRET GEOMETRIC TOLERANCING PER: MATERIAL	ENG APPR.			
FINISH	MFG APPR.	DBR	15Apr07	
NEXT ASSY	USED ON	Q.A.		COMMENTS:
APPLICATION	DO NOT SCALE DRAWING			SIZE DWG. NO. REV C 041507JRE1
				SCALE: 1:5 WEIGHT: SHEET 1 OF 1