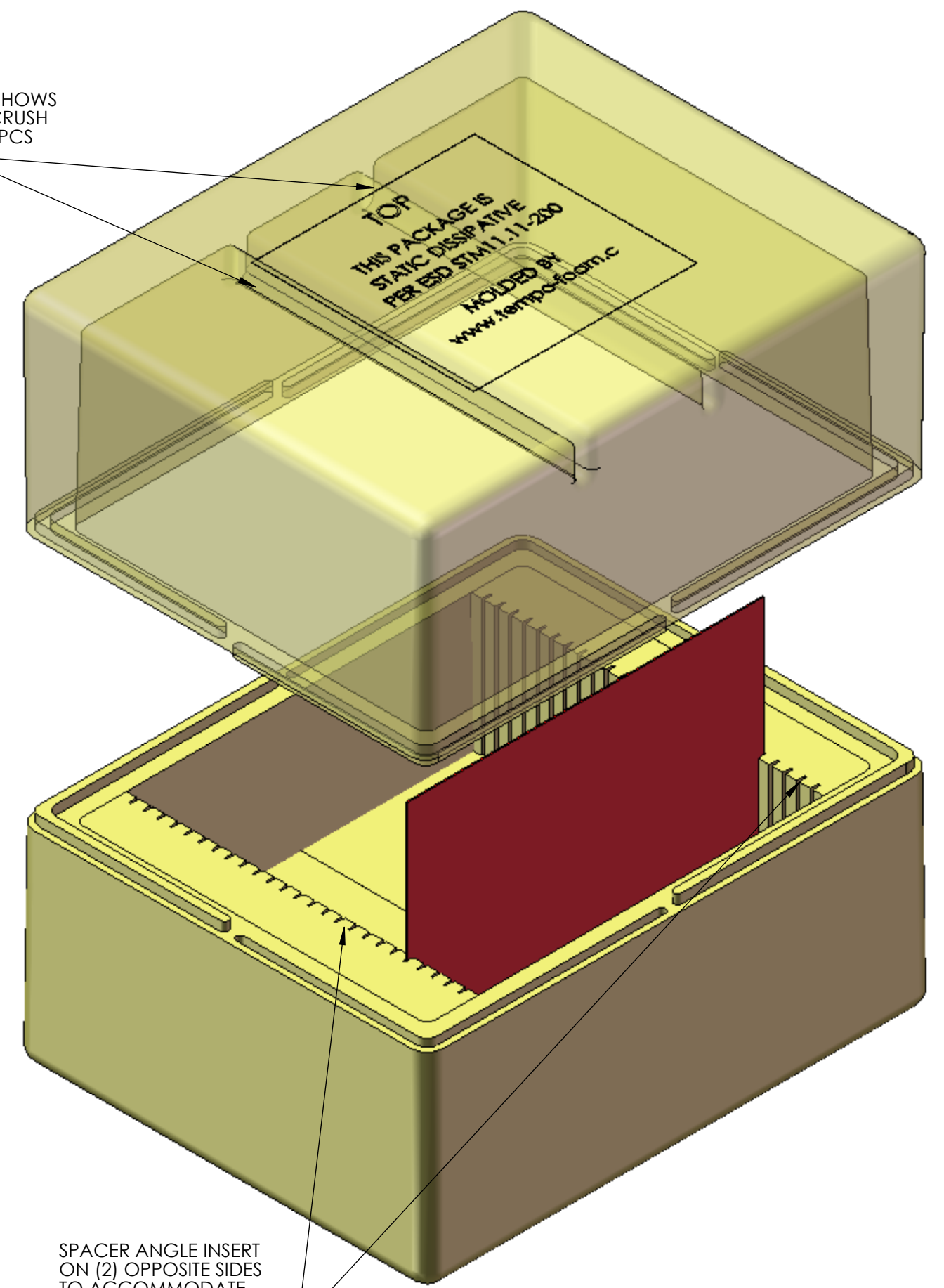
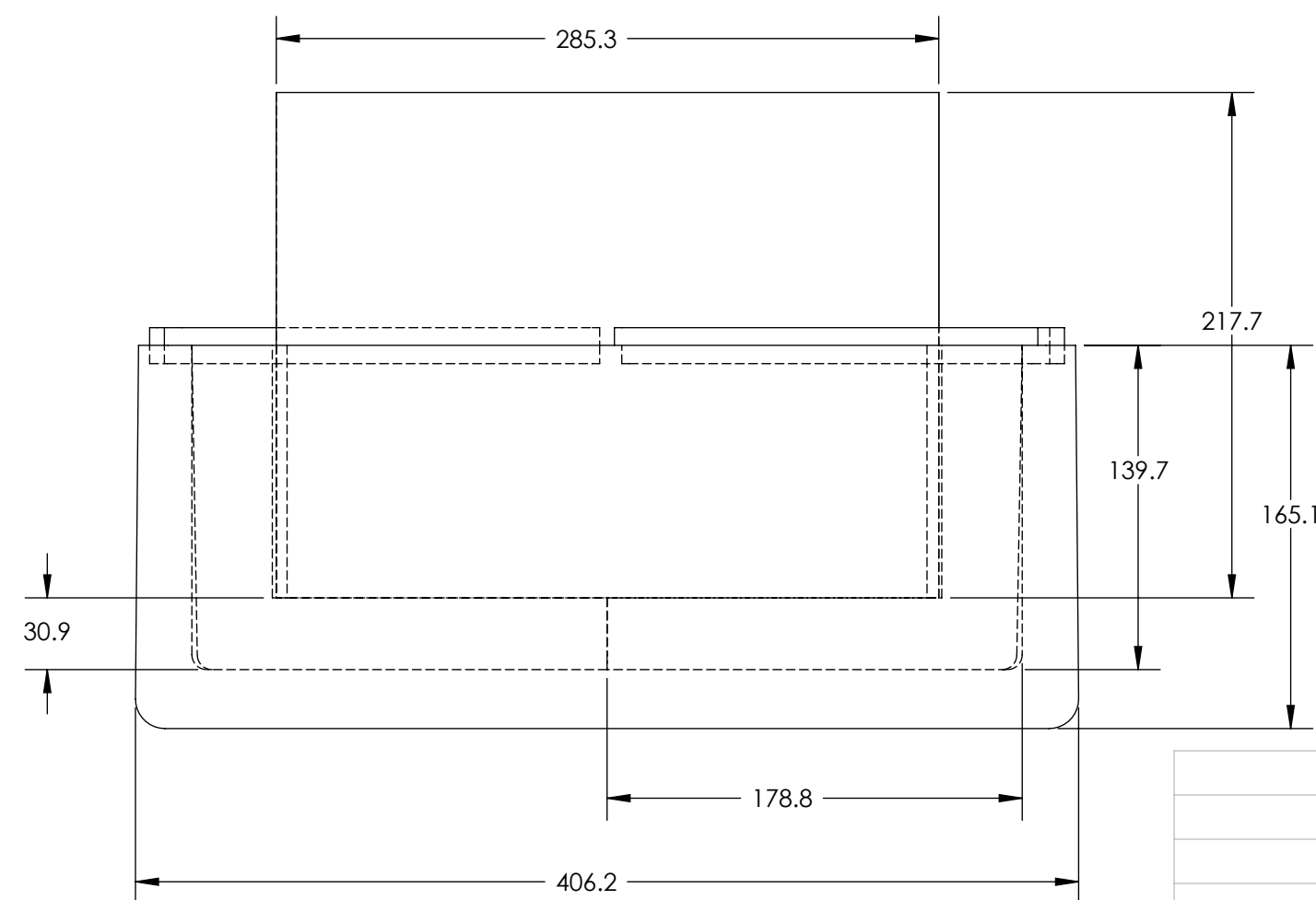
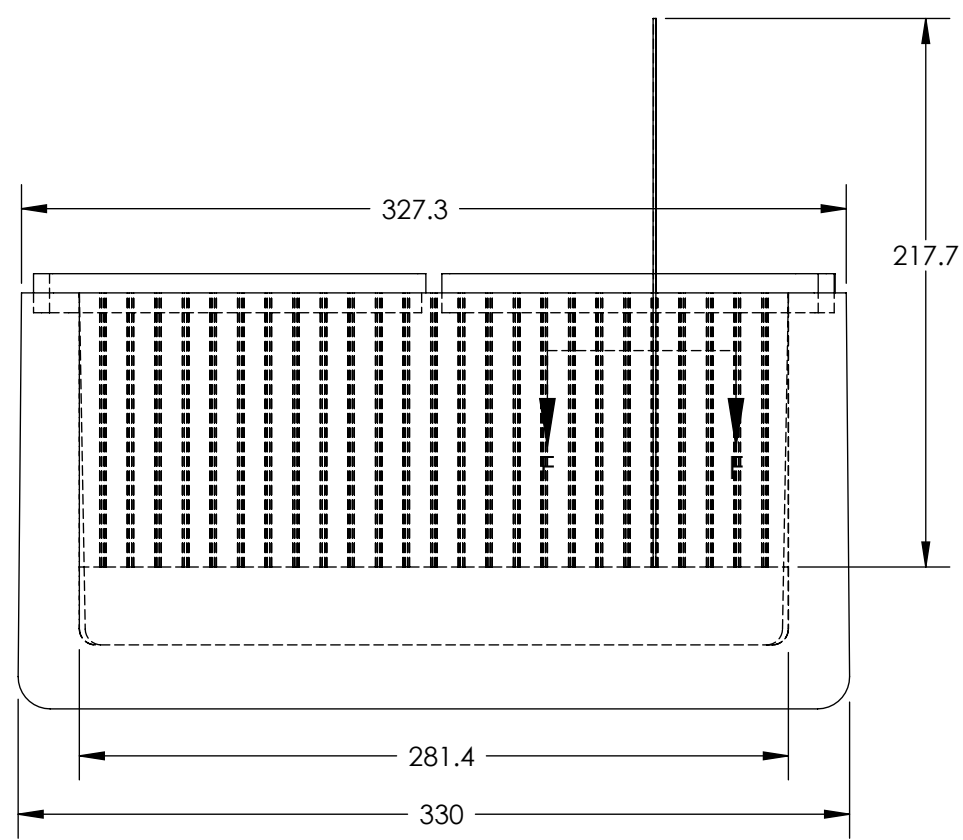
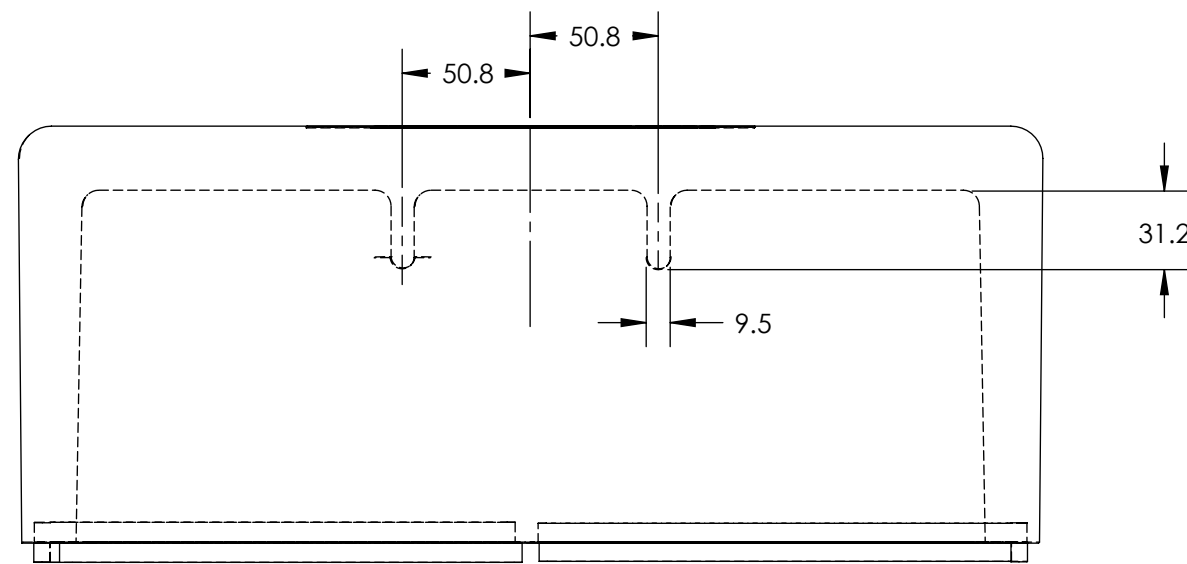
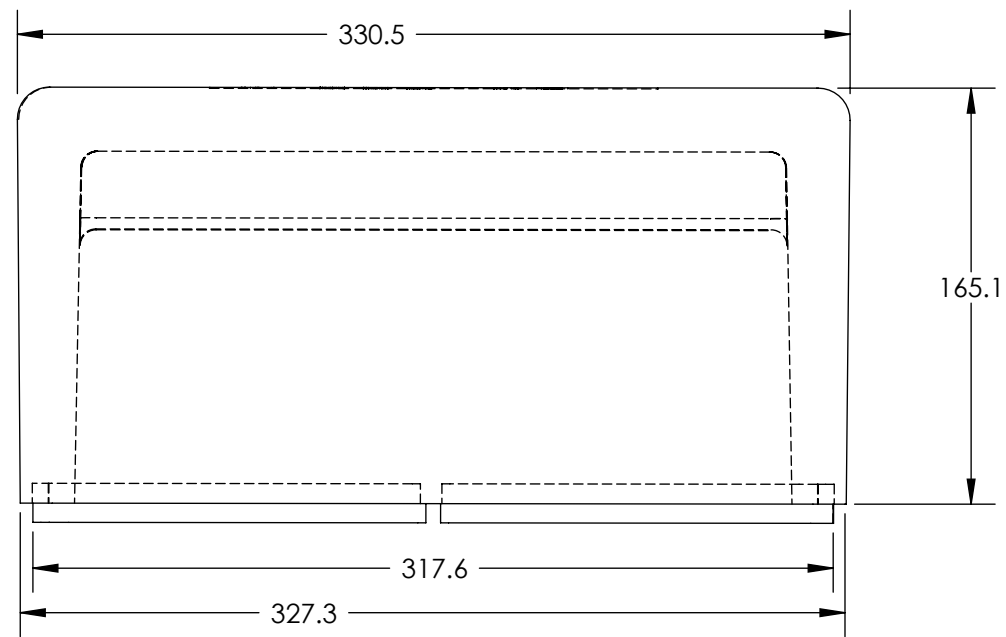


TRANSPARENT LID SHOWS (2) 31.2mm HIGH CRUSH RIBS TO STEADY 25 PCS OF GLASS



SPACER ANGLE INSERT ON (2) OPPOSITE SIDES TO ACCOMMODATE 217.7x285.3x1.1 THK GLASS



NOTES:

- 1- MATERIAL: DRY MOLDED POLYSTYRENE, 63 gm/liter
- 2- ALL DIMENSIONS ARE IN MILLIMETERS
- 3- WEIGHT: gm
- 4- VOLUME: CU CENTIMETERS

PROPRIETARY AND CONFIDENTIAL
THE INFORMATION CONTAINED IN THIS DRAWING IS THE SOLE PROPERTY OF TEMPO PLASTIC CO., INC. ANY REPRODUCTION IN PART OR AS A WHOLE WITHOUT THE WRITTEN PERMISSION OF TEMPO PLASTIC CO., INC. IS PROHIBITED.

UNLESS OTHERWISE SPECIFIED:		NAME	DATE	TEMPO PLASTIC CO., INC. 1227 N. MILLER PARK COURT VISALIA, CA 93291
DIMENSIONS ARE IN INCHES		DRAWN	J ELLIS	19Apr07
TOLERANCES:		CHECKED	DBR	19Apr07
FRACTIONAL ±		ENG APPR.		
ANGULAR: MATCH ±		MFG APPR.	DBR	19Apr07
BEND ±		Q.A.		
TWO PLACE DECIMAL ±		COMMENTS:		
THREE PLACE DECIMAL ±				
INTERPRET GEOMETRIC TOLERANCING PER:				
MATERIAL				
FINISH				
NEXT ASSY	USED ON			
APPLICATION	DO NOT SCALE DRAWING			
TITLE: BASE LID INSERT PKG #TPC-315 ASSY FOR 217.7x285.3x1.1 THK GLASS		SIZE	DWG. NO.	REV
		C	041907JRE1	
SCALE: 1:5		WEIGHT:		SHEET 1 OF 1