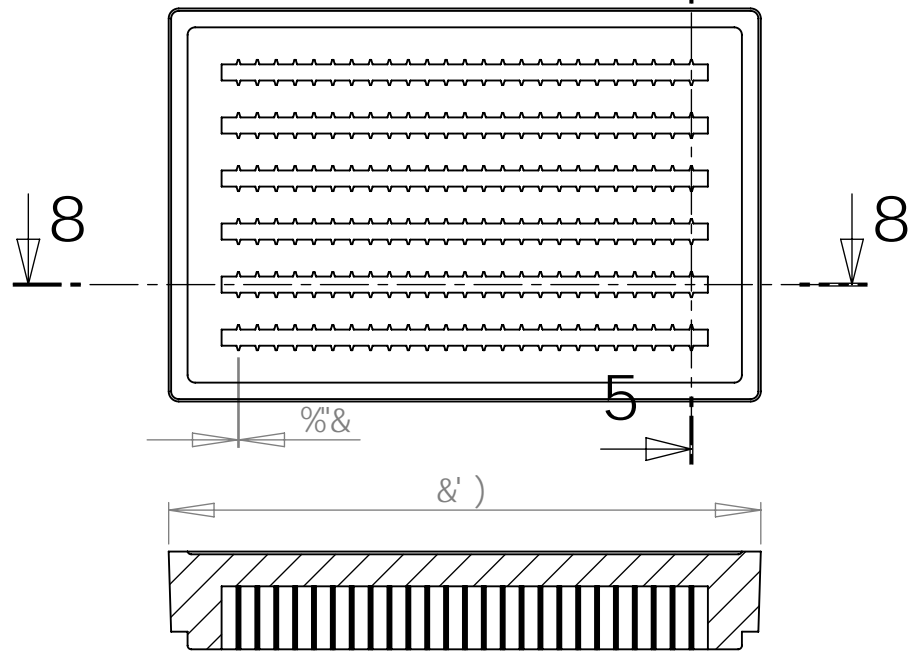
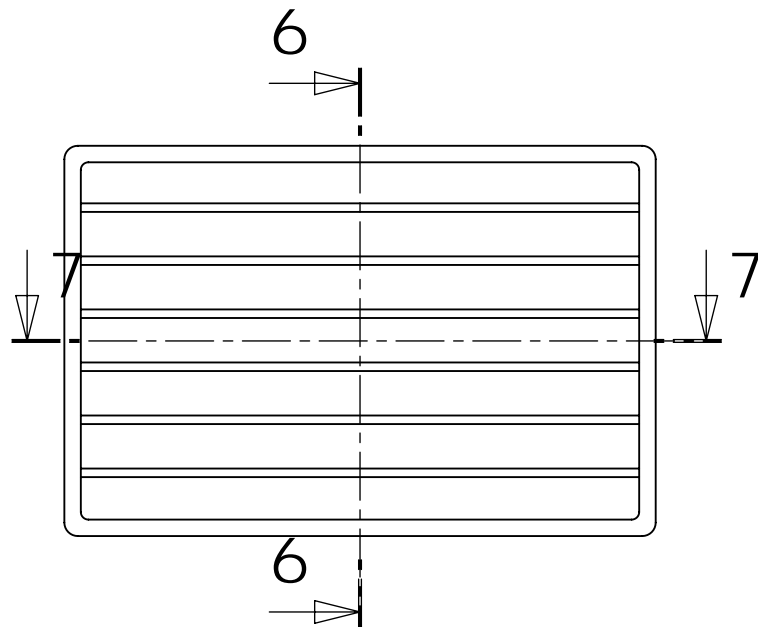


y y y 0go r q/hqco 0eqo



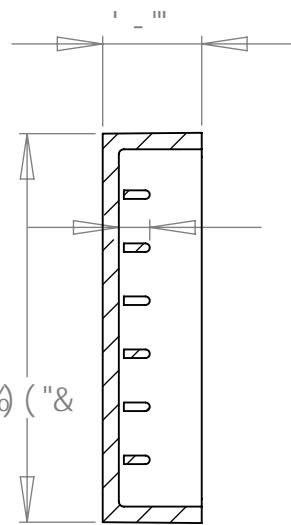
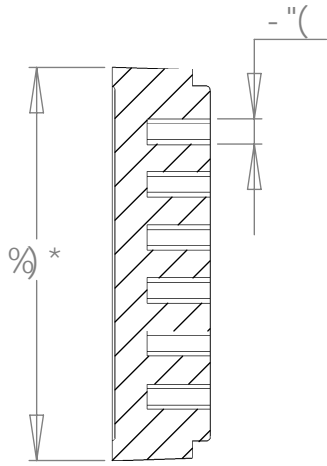
G97 H€ B '5!5'  
G7 5 @9%."

G97 H€ B '8!8'  
G7 5 @9%."

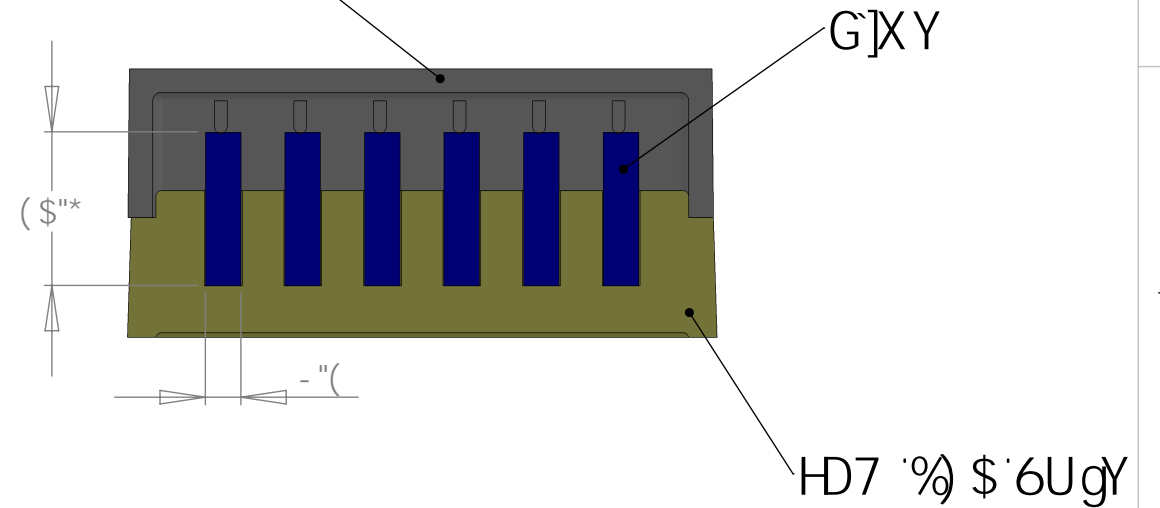


G97 H€ B '6!6'  
G7 5 @9%."

G97 H€ B '7!7'  
G7 5 @9%."



HD7 '%) \$'F]MVYX '@X



7 fc gg'gY Wh]c b'c ZUggYa V`YX `Vcl

BchY.  
%&'A UHYf]U`Hc `VY`) &[ #`XYbg]hmifl "\$`V#zh t`  
`GhU]W8 ]gg]dU]j Y`9DG  
&t`%8 Y[ fYY`8 fUziHMD  
't`

DFC DF-945FM5B87CB: 89BH5@  
H:9 B: CFA 5HC B 7 CBH5 B98 B H-6  
8F5K B: -GH:9GC @DFC.D9F HMC:  
Vgo r q'Rrcule'E q0'kpe0 5BM  
F9DFC 8I 7HC B B D5FHC F 5G5 K <C @  
K H:C I HH:9K F H9B D9FA GGCB C:  
Vgo r q'Rrcule'E q0'kpe0 G  
DFC <6498"

	I B @GGC H:9FK @9 GD97 ±98.	B5A 9	85H9	<b>Vgo r q'Rrcule'E q0'kpe0</b>	
	8 A 9BGC BG5F9 B B7 <9G HC @F5B7 9G : F57 HC B5 @± 5B: I @5F: A 57 <± 69B8 ± HK C D@57 9897 A 5@± H: F99D @57 9897 A 5@±	8F5K B	>I B € F	H# @. HD7 '%) \$ 6UgY / '@X	
	BHFDF9H: 9CA 9F7 HC @F5B7 B: D9F.	7 <97 ?98	9B: '5DDF"	GAP 8K ; ""BC" F9J	
	A 5HFF-5@	9B: '5DDF"	A: ; '5DDF"	6	
B9LH5GGM	I G98 C B	E "5"	7 CA A 9BHG	G7 5 @9% ' % G<99H% C : %	
5DD@7 5HC B	8C BC HG7 5 @98F5K B:				