

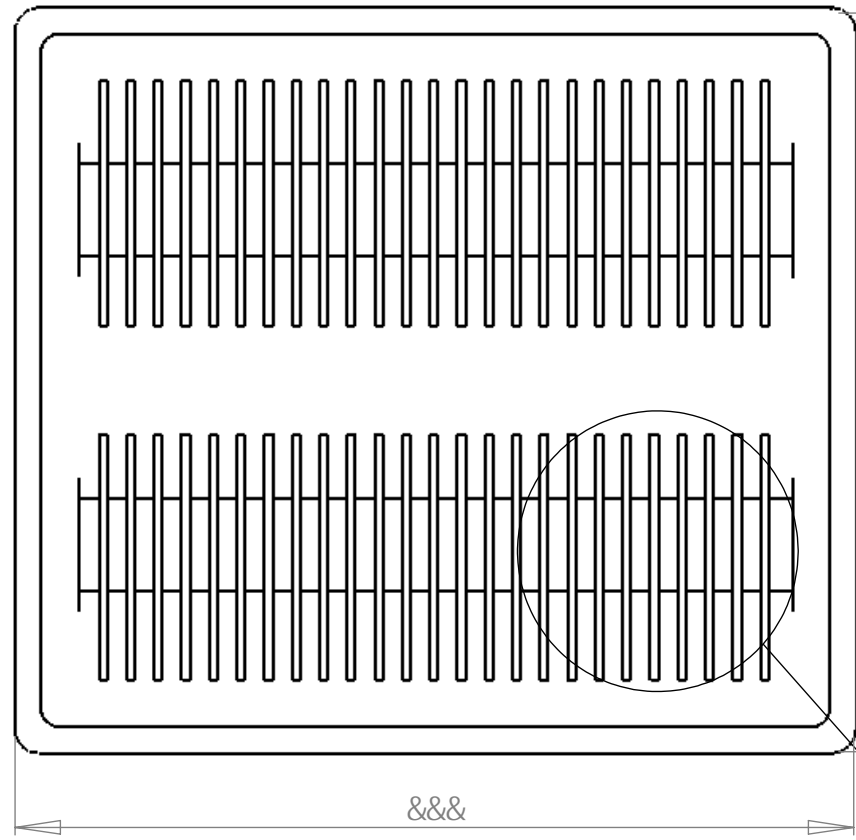
yy y 0go r q/hqco 0eqo

8

7

6

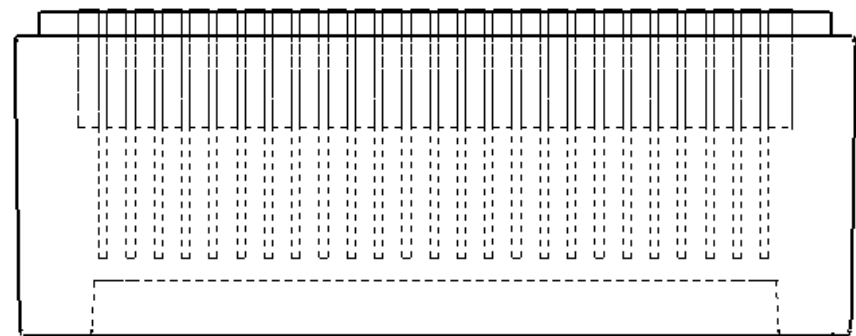
5



HC D'J 9K 'C : '65 G9

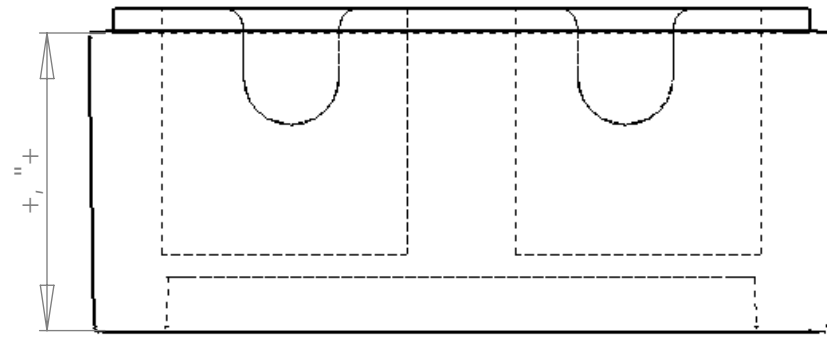
%) "

5

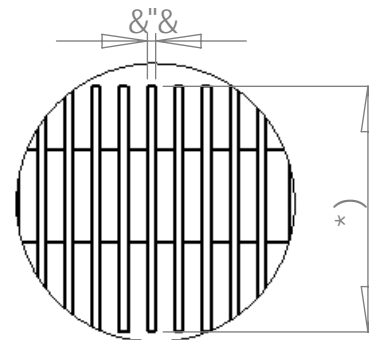


G8 9'J 9K 'C : '65 G9

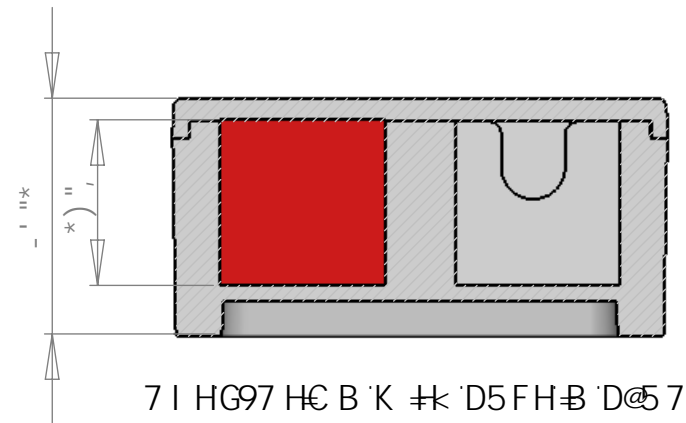
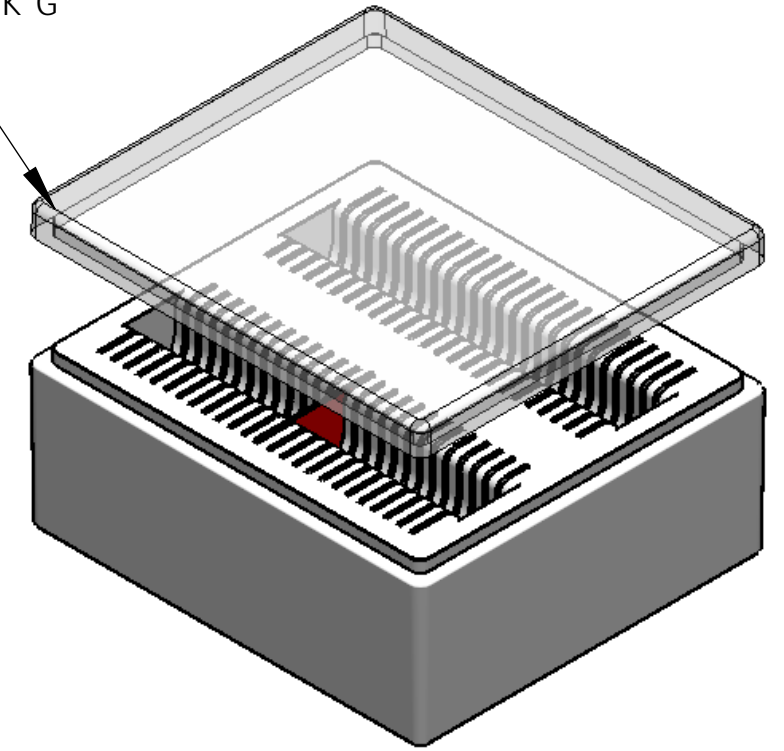
HF5BGD5F9BH@8'G<C K G
G@C HG: C F) '\$D7 G'



:FC BHJ 9K 'C : '65 G9



8 9H5 @5'
G7 5 @9%.' &



7 I HG97 HC B 'K #k 'D5FH-B 'D@5 7 9

BchY.
%&'A UHYf]U 'Hc 'VY '* ([# 'XYbg]hmif("\$ `V#h 1'9DG
&L'%8 Y[fYY '8fUZhiHMD
' 1'8]a Ybg]cbg'g\ck b'UFY ']b'a]`]a YHYfg

DFC DF-945FM5B87CB: 89BH5@
H:9 B: CFA 5HC B 7 CBH5 B98 B 1K-G
8F5K B: -GH:9GC @DFC.D9F HMC:
Vgo r q'Rrcule'E q0'Kpe0 5BM
F9DFC 8I 7HC B -B D5FHCF 5G5 K <C @
K #k:C I HH:9K F-H9B D9FA -GGC B C:
Vgo r q'Rrcule'E q0'Kpe0 G
DFC <6498"

		I B @GGC H:9FK 69 QD97 98.	B5A 9	85H9	Vgo r q'Rrcule'E q0'Kpe0
		8 A 9BGC BG5F9 B 'B7 <9G HC @F5B7 9G : F57 HC B5 @± 5B: I @5F: A 57 <±69B 8 ± K C D@5 7 9897 A 5 @±± H:F99D@5 7 9897 A 5 @±	8F5K B	G'Y j Yb 5'Urc ffY	
		BHFDF9H: 9C A 9F 7 HC @F5B7 B: D9F.	7 <97 ?98) \$G!&) * \$
		A 5HF 5@	9B: '5DDF"		
B 9LH5GGM	I G98 C B	: B G<	A: '5DDF"	E "5"	G A9 8K ; ""BC "
			7 C A A 9BHG		F 9J
	5DD@7 5HC B	8C BC HG7 5 @98F5K B:			G7 5 @9. %)
					G<99H% C : %