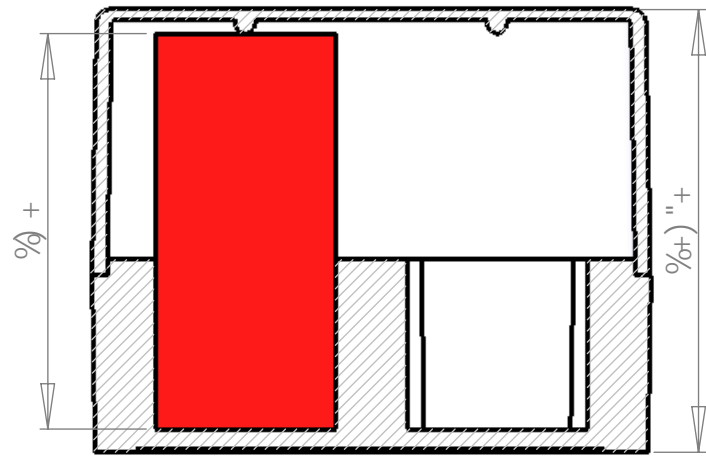
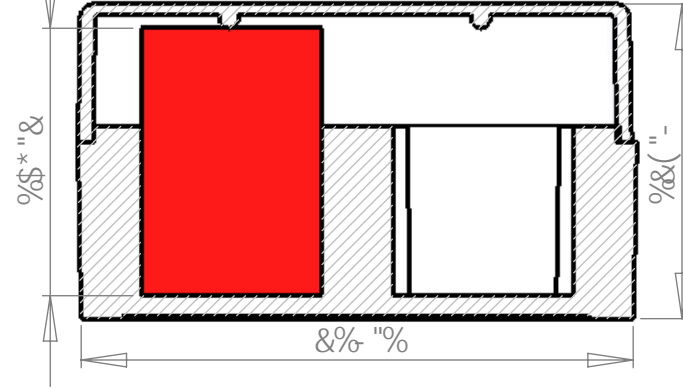


yy y 0go r q/hqco 0eqo

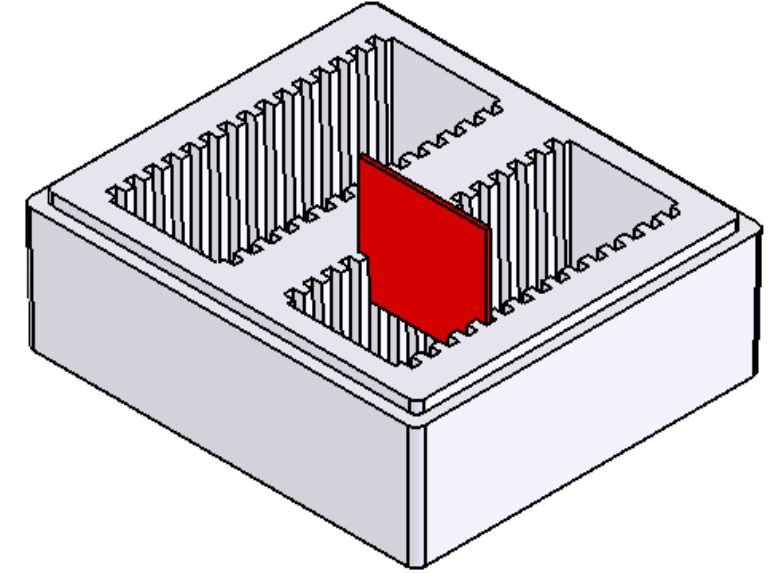
HD7 (\*) +)!\$- @8



HD7 (\*) +)!\$) @8

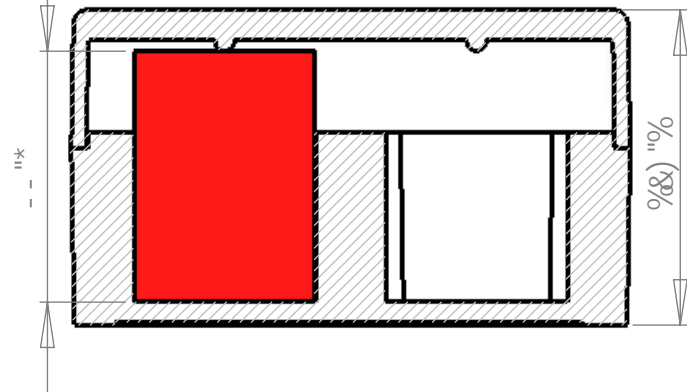


' \$G' +\* &'65 G9'G<C K G'G@ HG: C F " \$'D7 G'

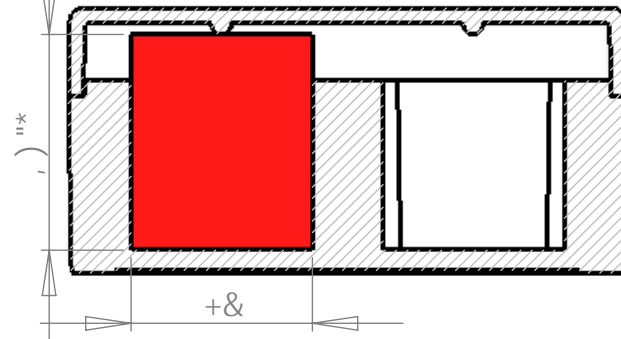


J -9K G'G<C K '7I HG97 HC B 'K #k 'D5FH-B 'D@579

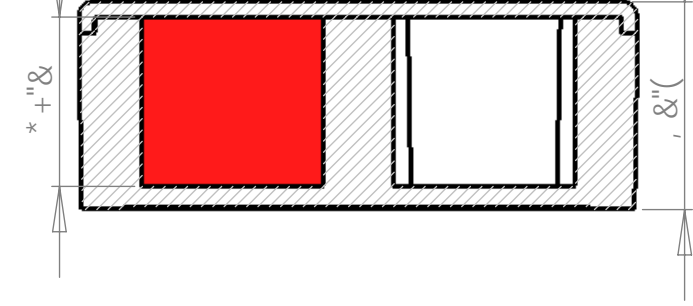
HD7 (\*) +)!\$+ @8



HD7 (\*) +)!\$' @8



HD7 (\*) +)!\$% @8



BcHy.  
 %&'A UHyf]U`Hc`VY`\* ([ #`XYbg]hmif("\$`V#zh E'9DGž  
 ....GhU]W8]gg]dU]j`Y  
 &E`%8Y[ fYY`8fUziHMD  
 ' E'8]a Ybg]cbg`g\ck b`UfY`]b`a ]`]a YHyfg

DFCDF-945FM5B87CB:-89BH5@  
 H:9B:CFA5HC:B7CBH5B98`B`H-G  
 8F5K`B: -GH:9GC@DFC.D9F.HMC:  
 Vgo r q'Rrcule'E q0'kpe0 5BM  
 F9DFC8I 7HC B`B`D5FHCF 5G5 K <C @  
 K #k:C I HH:9K F`H9B D9FA`GGC B`C:  
 Vgo r q'Rrcule'E q0'kpe0 G  
 DFC <-6498"

		I B @GGC H:9FK -9 QD97 ±98.	B5A 9	85H9	<b>Vgo r q'Rrcule'E q0'kpe0</b>
		8A 9BGC BG5F9`B`B7 <9G HC @F5B7 9G : F57 HC B5@± 5B: I @5F: A 57 <±.....69B8 ± HK C D@57 9897`A 5@±± H:F99D@57 9897`A 5@±±	8F5K B	GYj Yb 5`Urc:ffY`>`m+z&\$\$-	
		#HFD9H: 9CA 9HF`7 HC @F5B7`B: D9F.	7 <97?98		' \$+!' +* &'6UgY`k ]h` HD7 (*) +) @X: Ua ]m
		A 5HFF`5@	9B: '5DDF"		
			A:; '5DDF"		
			E "5"		
			7 C A A 9BHG		
B 9LH5GGM	I 098 C B	: B G<			GAP 8K ; ""BC "
					F9J
					<b>6</b>
					G7 5 @. '%
					G<99H%C : %