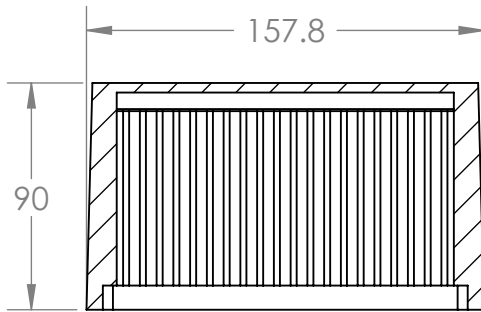
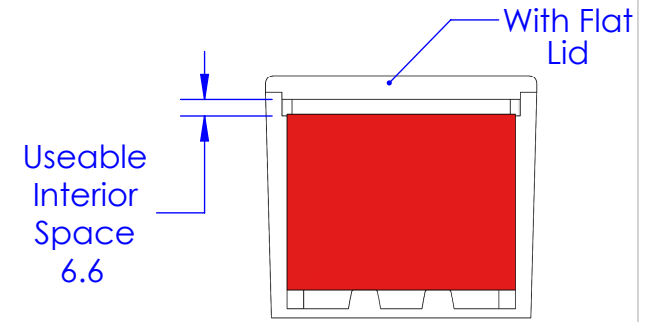
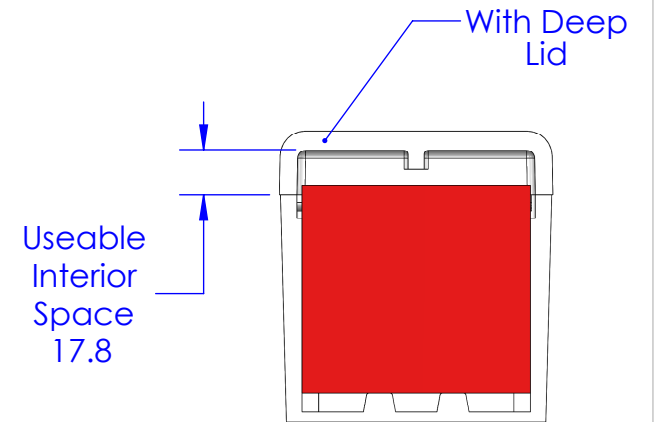


SECTION A-A
SCALE 1 : 3



SECTION B-B
SCALE 1 : 3



Note:

- 1) Material To be 64g/l density (4.0 lb/ft3) EPS, Static Dissipative
- 2) 1 Degree Draft TYP
- 3) Dimensions shown are in millimeters

UNLESS OTHERWISE SPECIFIED:		NAME	DATE	Tempo Plastic Co.	
DIMENSIONS ARE IN MM TOLERANCES: FRACTIONAL ± ANGULAR: MACH ± BEND ± TWO PLACE DECIMAL ± THREE PLACE DECIMAL ±		DRAWN	JR 1/12/15		
INTERPRET GEOMETRIC TOLERANCING PER:		CHECKED		25S-3x2	
MATERIAL		ENG APPR.			
FINISH		MFG APPR.		SIZE DWG. NO. REV	
NEXT ASSY		Q.A.		A A	
USED ON		COMMENTS:		SCALE: 1:2 WEIGHT: SHEET 1 OF 1	
APPLICATION					
DO NOT SCALE DRAWING					

PROPRIETARY AND CONFIDENTIAL
THE INFORMATION CONTAINED IN THIS DRAWING IS THE SOLE PROPERTY OF **TEMPO PLASTIC CO.** ANY REPRODUCTION IN PART OR AS A WHOLE WITHOUT THE WRITTEN PERMISSION OF **TEMPO PLASTIC CO.** IS PROHIBITED.