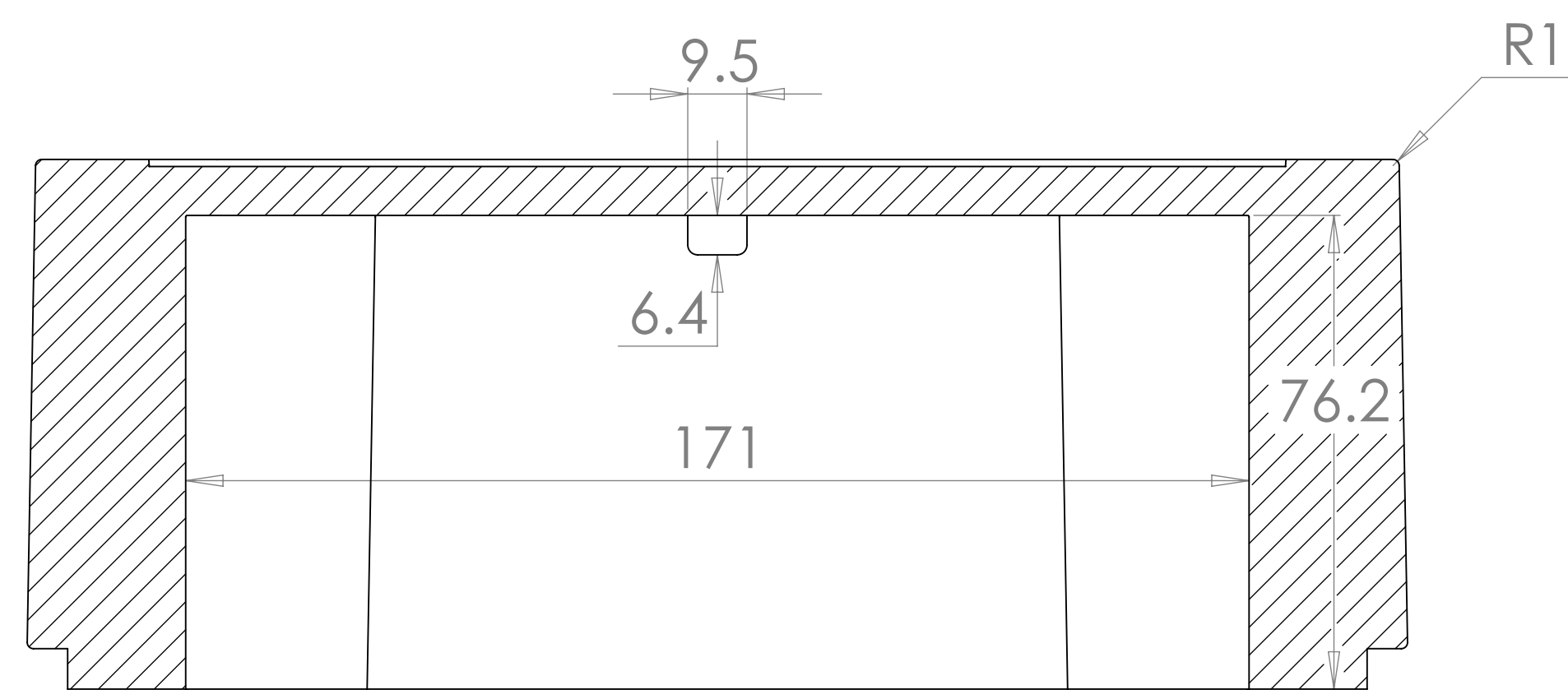
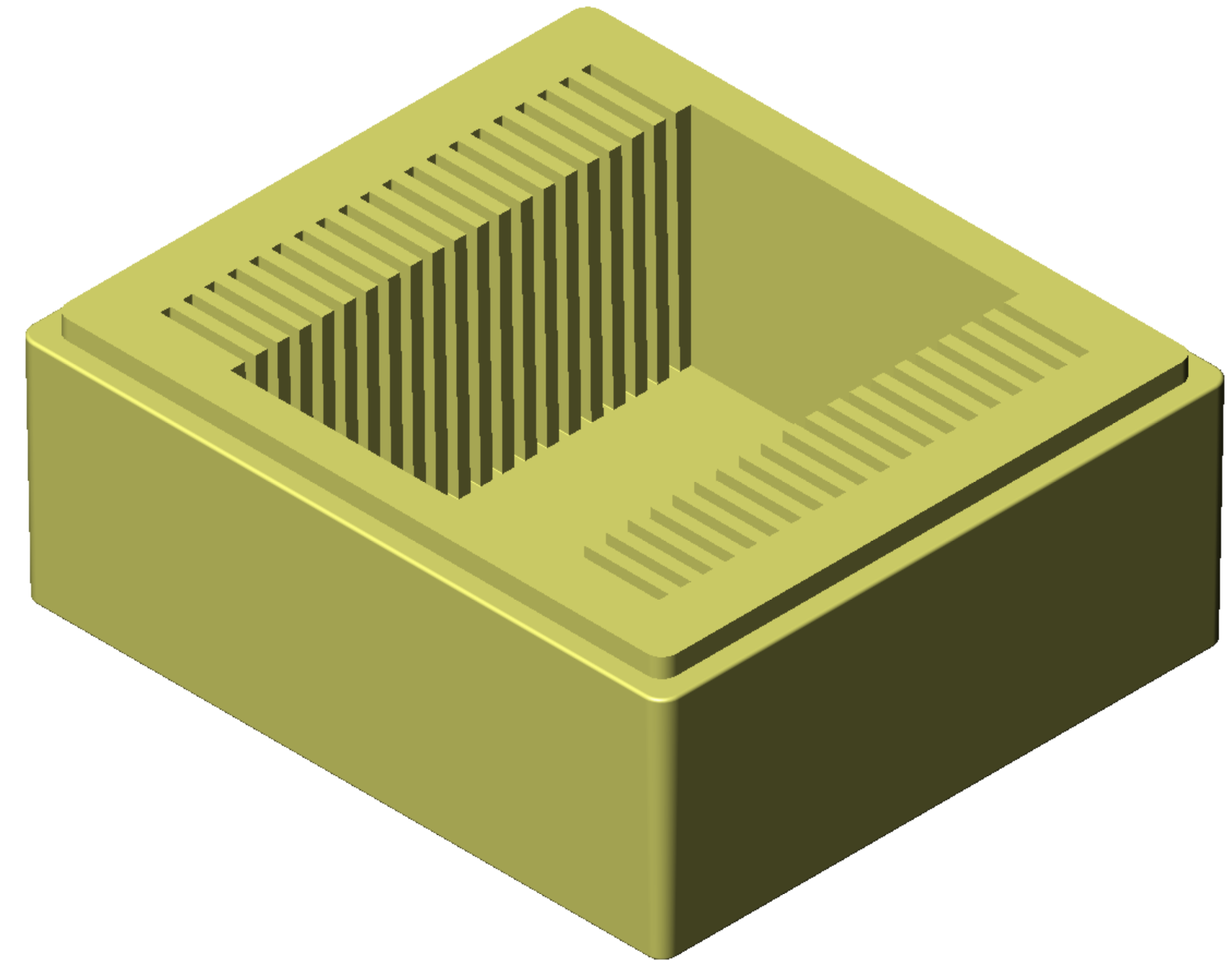


SECTION A-A



SECTION B-B

Note:

- 1) Material Static Dissipative dry molded EPS
- 2) 1 Degree Draft TYP

**PROPRIETARY AND CONFIDENTIAL**

THE INFORMATION CONTAINED IN THIS DRAWING IS THE SOLE PROPERTY OF Tempo Plastic Co. Inc. ANY REPRODUCTION IN PART OR AS A WHOLE WITHOUT THE WRITTEN PERMISSION OF Tempo Plastic Co. Inc IS PROHIBITED.

UNLESS OTHERWISE SPECIFIED:		NAME	DATE
DIMENSIONS ARE IN Millimeters		Junior	2/14/07
TOLERANCES:		CHECKED	Junior
FRACTIONAL ±		ENG APPR.	4/12/07
ANGULAR MATCH ±		MFG APPR.	
BEND ±		G.A.	
TWO PLACE DECIMAL ±			
THREE PLACE DECIMAL ±			
INTERPRET GEOMETRIC TOLERANCING PER:			
MATERIAL		1227 N. Miller Park Ct. Visalia, CA 93291	
NEXT ASSY	USED ON	FINISH	
APPLICATION			

Tempo Plastic Co, Inc.

TITLE:	20S-6730
SIZE	D
DWG. NO.	2142007JR
REV	B
SCALE: 1:1	SHEET 1 OF 1