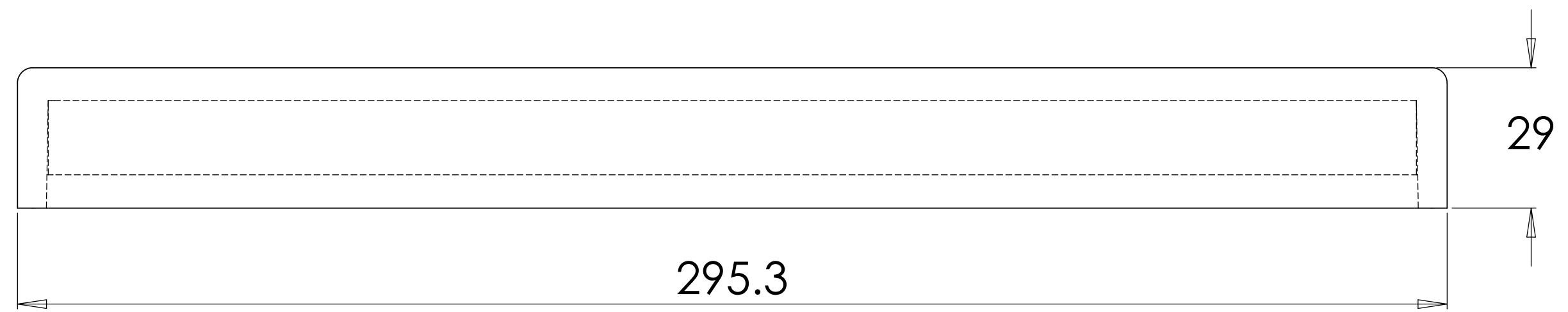
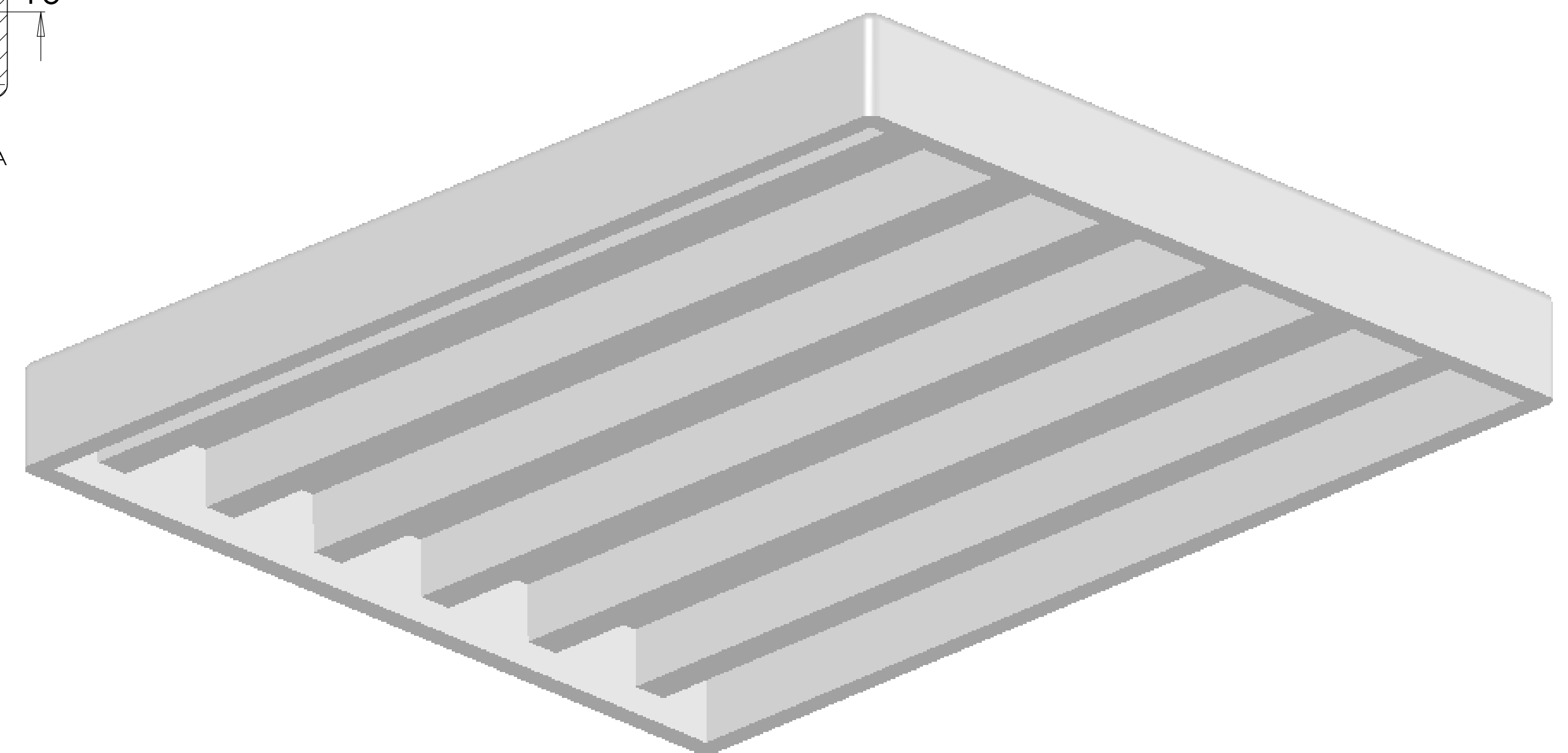


SECTION A-A

Note:

- 1) Material To be 64g/l density (4.0 lb/ft3) EPS
- 2) 1 Degree Draft TYP
- 3) Volume = 53.001 cubic inches



PROPRIETARY AND CONFIDENTIAL
 THE INFORMATION CONTAINED IN THIS DRAWING IS THE SOLE PROPERTY OF Tempco Plastics Co., Inc. ANY REPRODUCTION IN PART OR AS A WHOLE WITHOUT THE WRITTEN PERMISSION OF Tempco Plastics Co., Inc. IS PROHIBITED.

UNLESS OTHERWISE SPECIFIED:		NAME	DATE
DIMENSIONS ARE IN Millimeters		Junior	8/18/05
TOLERANCES:			
FRACTIONAL ±			
ANGULAR MATCH ±			
BEND ±			
TWO PLACE DECIMAL ±			
THREE PLACE DECIMAL ±			
	DRAWN		
	CHECKED		
	ENG APPR.		
	MFG APPR.		
	Q.A.		
	COMMENTS:		
	INTERPRET GEOMETRIC TOLERANCING PER:		
	MATERIAL:		
NEXT ASSY	USED ON	FINISH	
APPLICATION			

TITLE:		
202S Lid		
SIZE	DWG. NO.	REV
D	1	
SCALE: 1:1	SHEET 1 OF 1	