
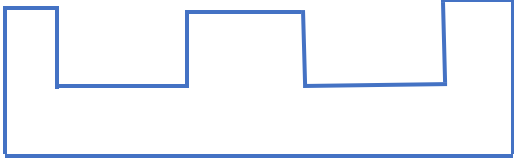








| | <i>Part Number</i> |
|---|----------------------------|
|  | # 201- 01 |
| | 40s-2250* 16R-2010* |
|  | 40s-2362* |
|  | # 201- 03 |
| | .113 (2.8 mm) |
| | 50R-1940* |
|  | # 201- 05 |
| | 2 inch square |
|  | # 201- 07 |
| | 1.9 inches (48.26mm) |
| | 50R-1650* 60R-1625 (42mm)* |
|  | # 201- 09 |
| | 1.7inches (43.18mm) |
| | 40R-1185* |
|  | # 201- 11 |
| | .98 (24.89 mm) |
|  | # 201- 13 |
| | .42 (10.67 mm) |
| | TPC 150* |