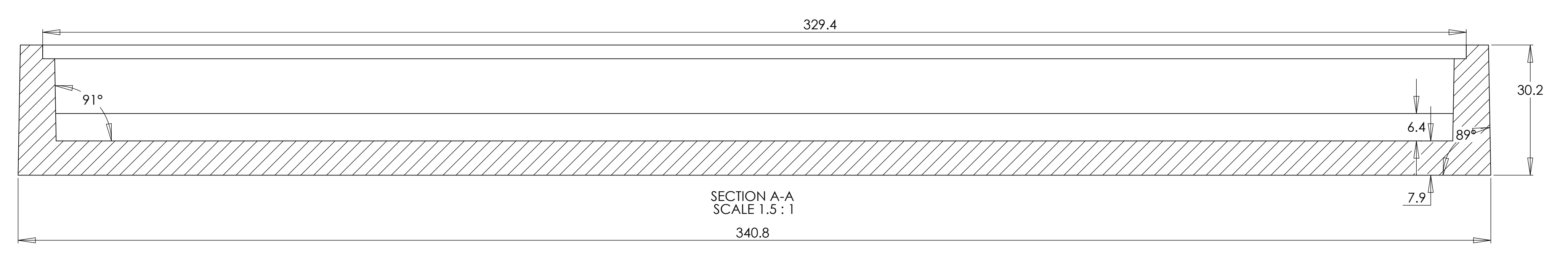
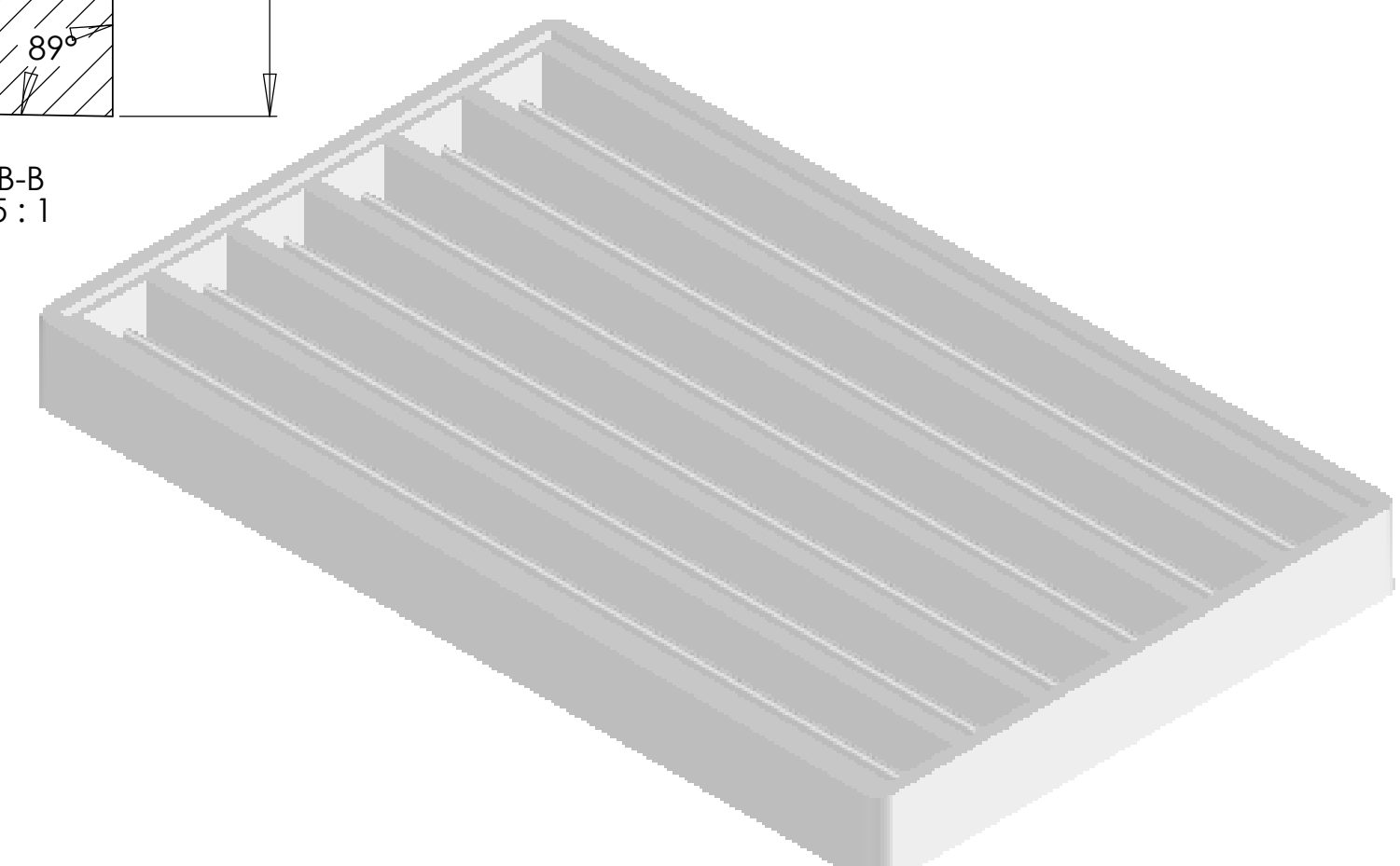
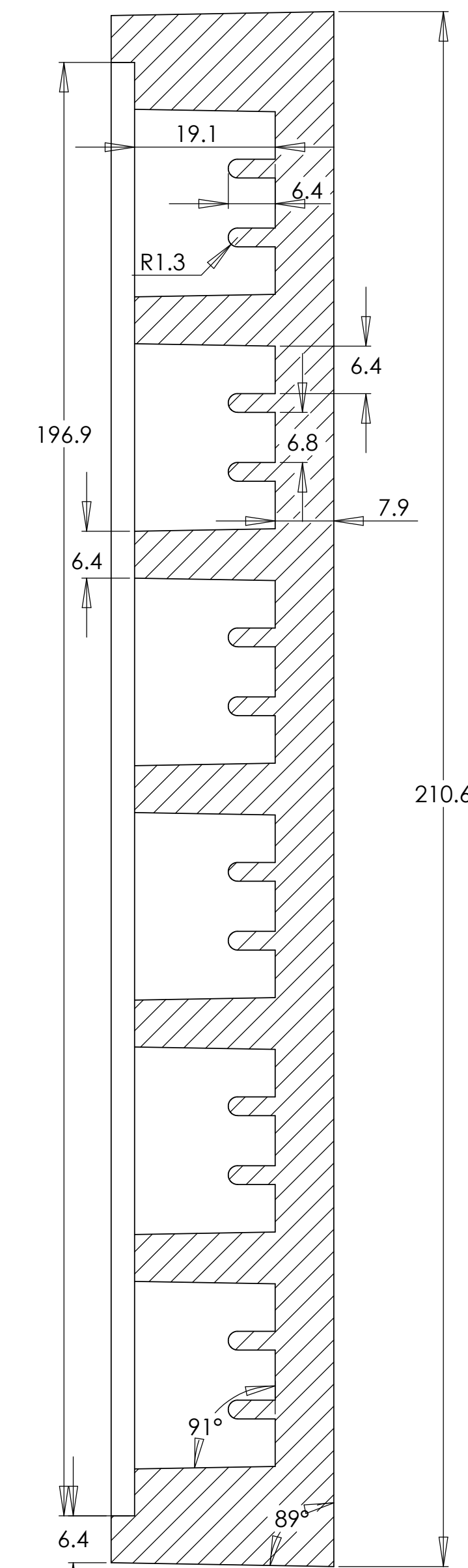


- Note:
- 1) Material To be 64g/l density (4.0 lb/ft³) EPS
 - 2) 1 Degree Draft TYP
 - 3) Volume = 66.0 cubic inches



PROPRIETARY AND CONFIDENTIAL
 THE INFORMATION CONTAINED IN THIS DRAWING IS THE SOLE PROPERTY OF Tempo Plastics Co. Inc. ANY REPRODUCTION IN PART OR AS A WHOLE WITHOUT THE WRITTEN PERMISSION OF Tempo Plastics Co. Inc. IS PROHIBITED.

UNLESS OTHERWISE SPECIFIED:		NAME	DATE
DRAWN	Cucaron	7/8/05	
CHECKED			
ENG APPR.			
MFG APPR.			
Q.A.		COMMENTS:	
INTERPRET GEOMETRIC TOLERANCING PER MATERIAL			
NEXT ASSY	USED ON	FINISH	
APPLICATION			

TITLE:		
12.75 x 1		
SIZE	DWG. NO.	REV
D	1	
SCALE: 1.5:1	SHEET 1 OF 1	