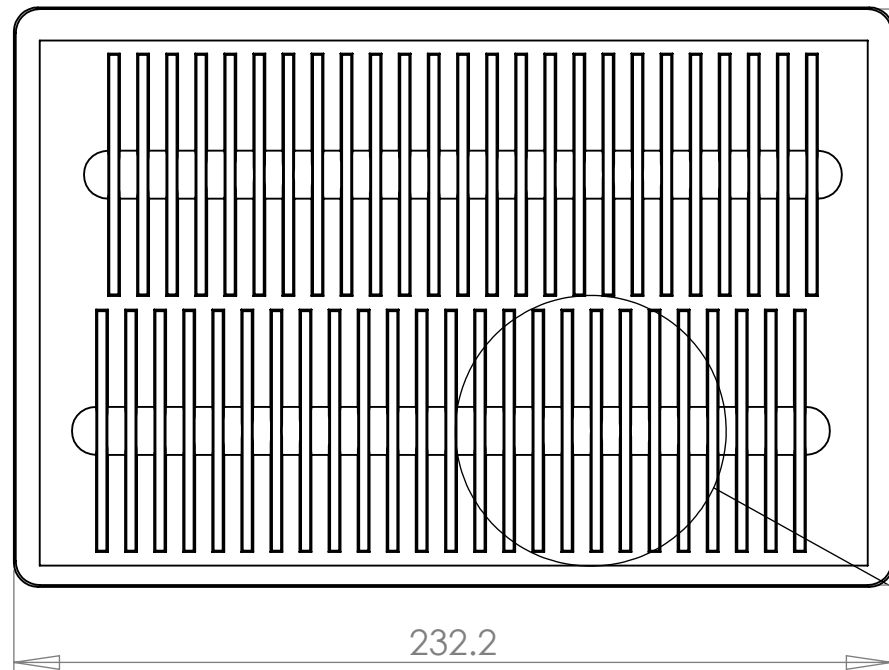


D

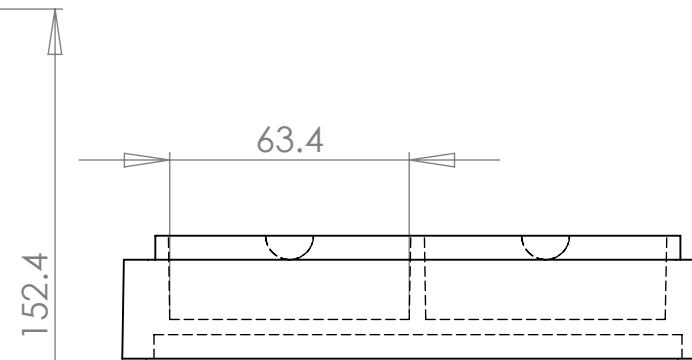
C

B

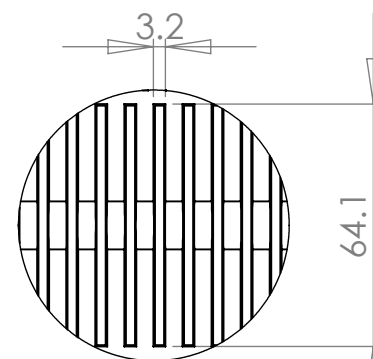
A



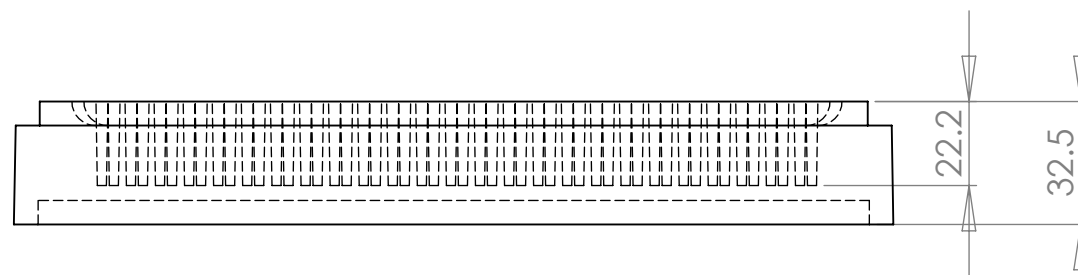
TOP VIEW OF BASE



FRONT VIEW OF BASE

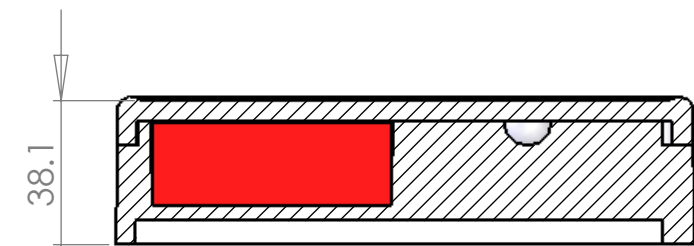
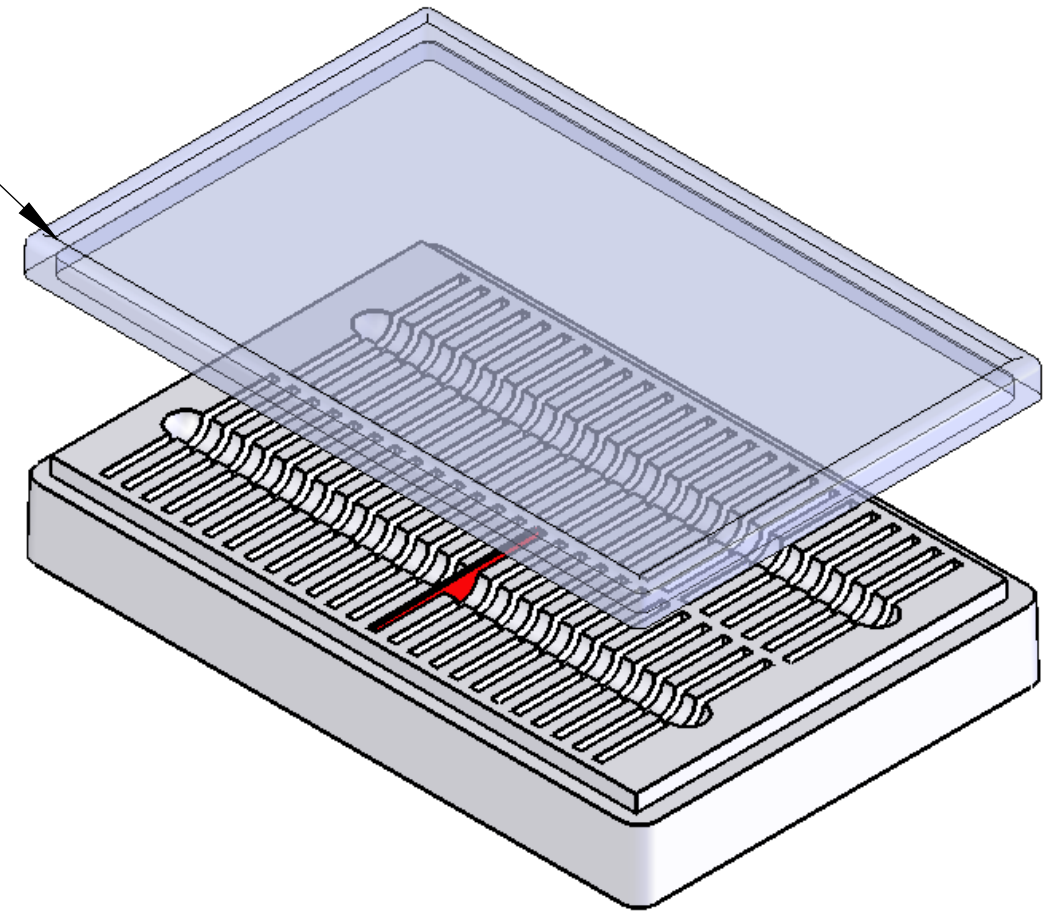


DETAIL A



SIDE VIEW OF BASE

TRANSPARENT LID SHOWS SLOTS FOR 50 PCS.



CUT VIEW WITH PART IN PLACE

**Note:**

- 1) Material To be 64g/l density (4.0 lb/ft<sup>3</sup>) EPS, Static Dissipative
- 2) 1 Degree Draft TYP
- 3) Dimensions shown are in millimeters

**PROPRIETARY AND CONFIDENTIAL**  
 THE INFORMATION CONTAINED IN THIS DRAWING IS THE SOLE PROPERTY OF Tempo Plastic Co., Inc. ANY REPRODUCTION IN PART OR AS A WHOLE WITHOUT THE WRITTEN PERMISSION OF Tempo Plastic Co., Inc. IS PROHIBITED.

		UNLESS OTHERWISE SPECIFIED:		NAME	DATE	<b>Tempo Plastic Co., Inc.</b>	
		DIMENSIONS ARE IN INCHES		DRAWN	Steven Alatorre	June 24, 2009	TITLE: <b>110 Base with 102 Lid</b>
		TOLERANCES:		CHECKED			
		FRACTIONAL ±		ENG APPR.			
		ANGULAR: MACH ± BEND ±		MFG APPR.			
		TWO PLACE DECIMAL ±		Q.A.			SIZE
		THREE PLACE DECIMAL ±		COMMENTS:			DWG. NO.
		INTERPRET GEOMETRIC TOLERANCING PER:					REV
		MATERIAL					
		FINISH					
NEXT ASSY	USED ON	APPLICATION		DO NOT SCALE DRAWING		SCALE: 1:2	
						SHEET 1 OF 1	

D

C

B

A

8

7

6

5

4

3

2

1