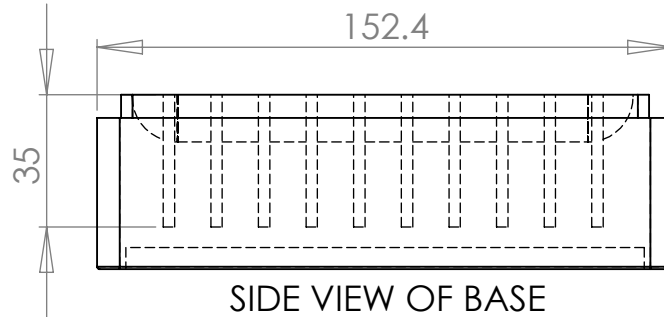
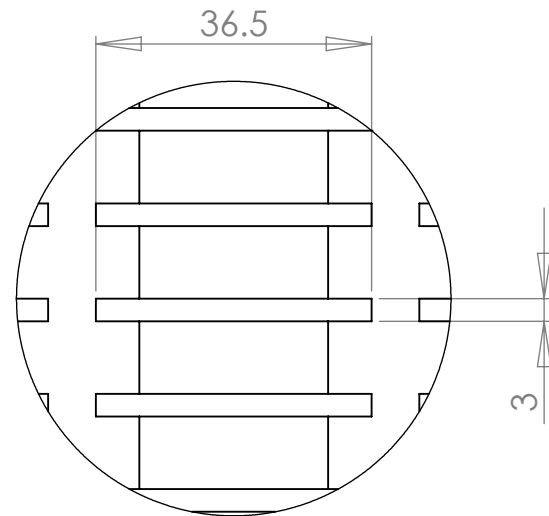


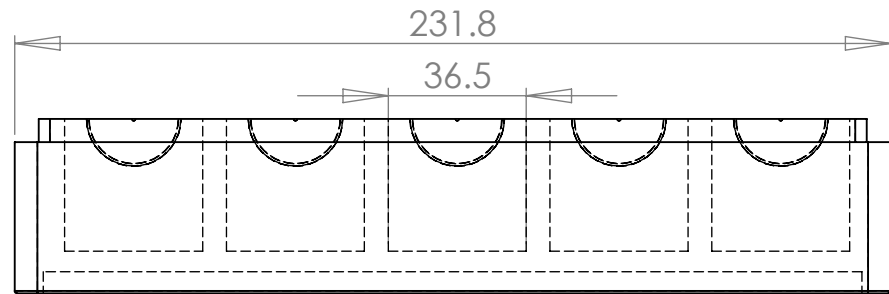
TOP VIEW OF BASE



SIDE VIEW OF BASE

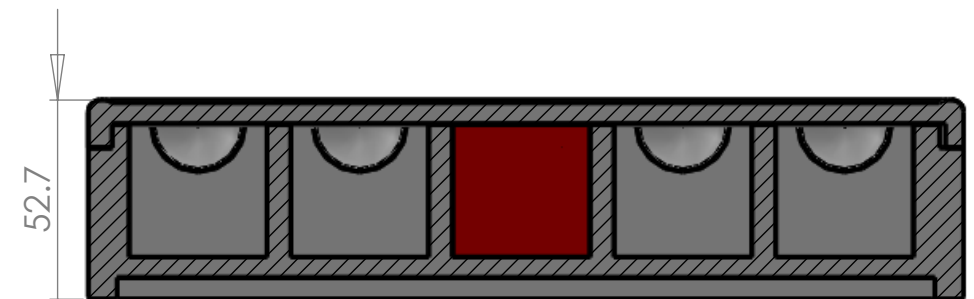
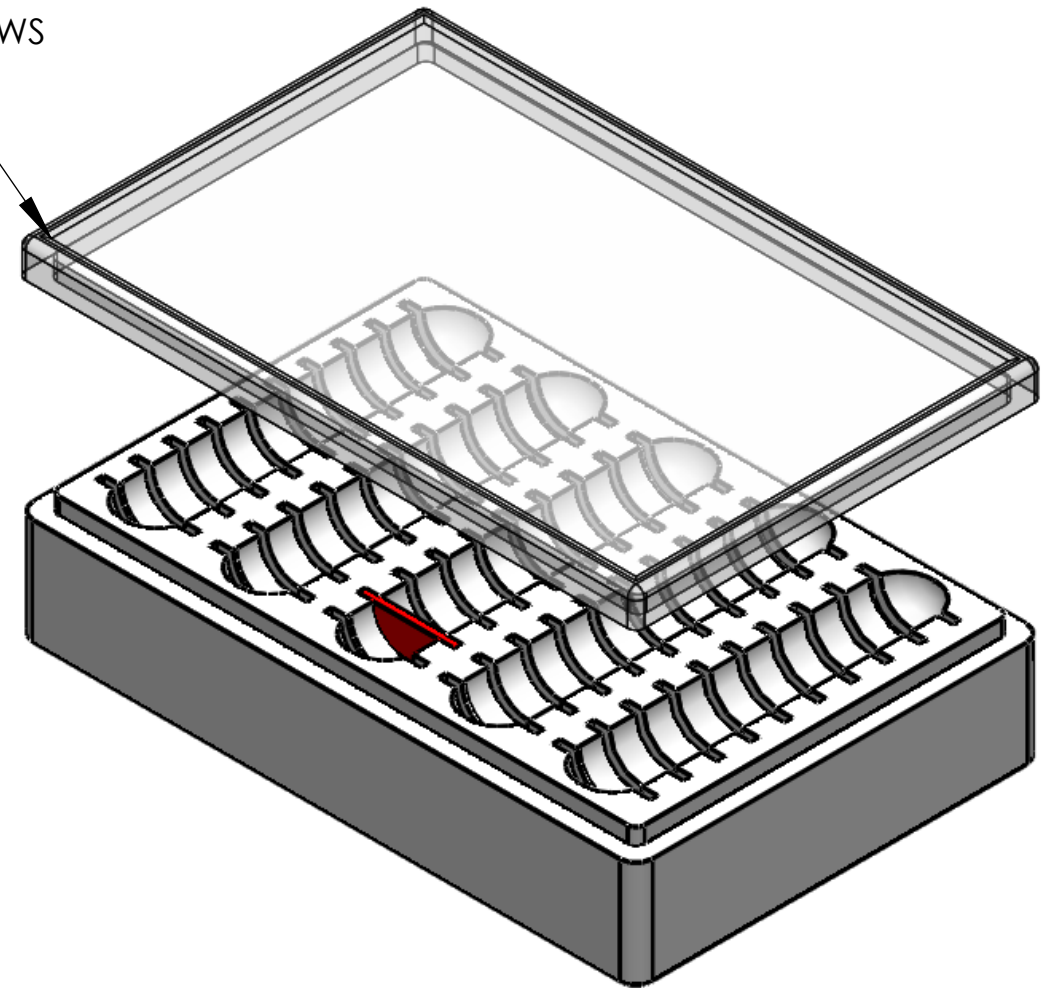


DETAIL A



FRONT VIEW OF BASE

TRANSPARENT LID SHOWS SLOTS FOR 50 PCS.



CUT SECTION WITH PART IN PLACE

- Note:**
- 1) Material To be 64g/l density (4.0 lb/ft³) EPS, Static Dissipative
 - 2) 1 Degree Draft TYP
 - 3) Dimensions shown are in millimeters

PROPRIETARY AND CONFIDENTIAL
 THE INFORMATION CONTAINED IN THIS DRAWING IS THE SOLE PROPERTY OF **Tempo Plastic Co., Inc.** ANY REPRODUCTION IN PART OR AS A WHOLE WITHOUT THE WRITTEN PERMISSION OF **Tempo Plastic Co., Inc.** IS PROHIBITED.

		UNLESS OTHERWISE SPECIFIED:		NAME	DATE	Tempo Plastic Co., Inc.	
		DIMENSIONS ARE IN INCHES TOLERANCES: FRACTIONAL ± ANGULAR: MACH ± BEND ± TWO PLACE DECIMAL ± THREE PLACE DECIMAL ±		DRAWN	Steven Alatorre		
		INTERPRET GEOMETRIC TOLERANCING PER:		CHECKED		TITLE:	
		MATERIAL		ENG APPR.		107 Base with 102 Lid	
		FINISH		MFG APPR.		SIZE	DWG. NO.
NEXT ASSY	USED ON	DO NOT SCALE DRAWING		Q.A.		B	REV
APPLICATION				COMMENTS:		SCALE: 1:1	SHEET 1 OF 1