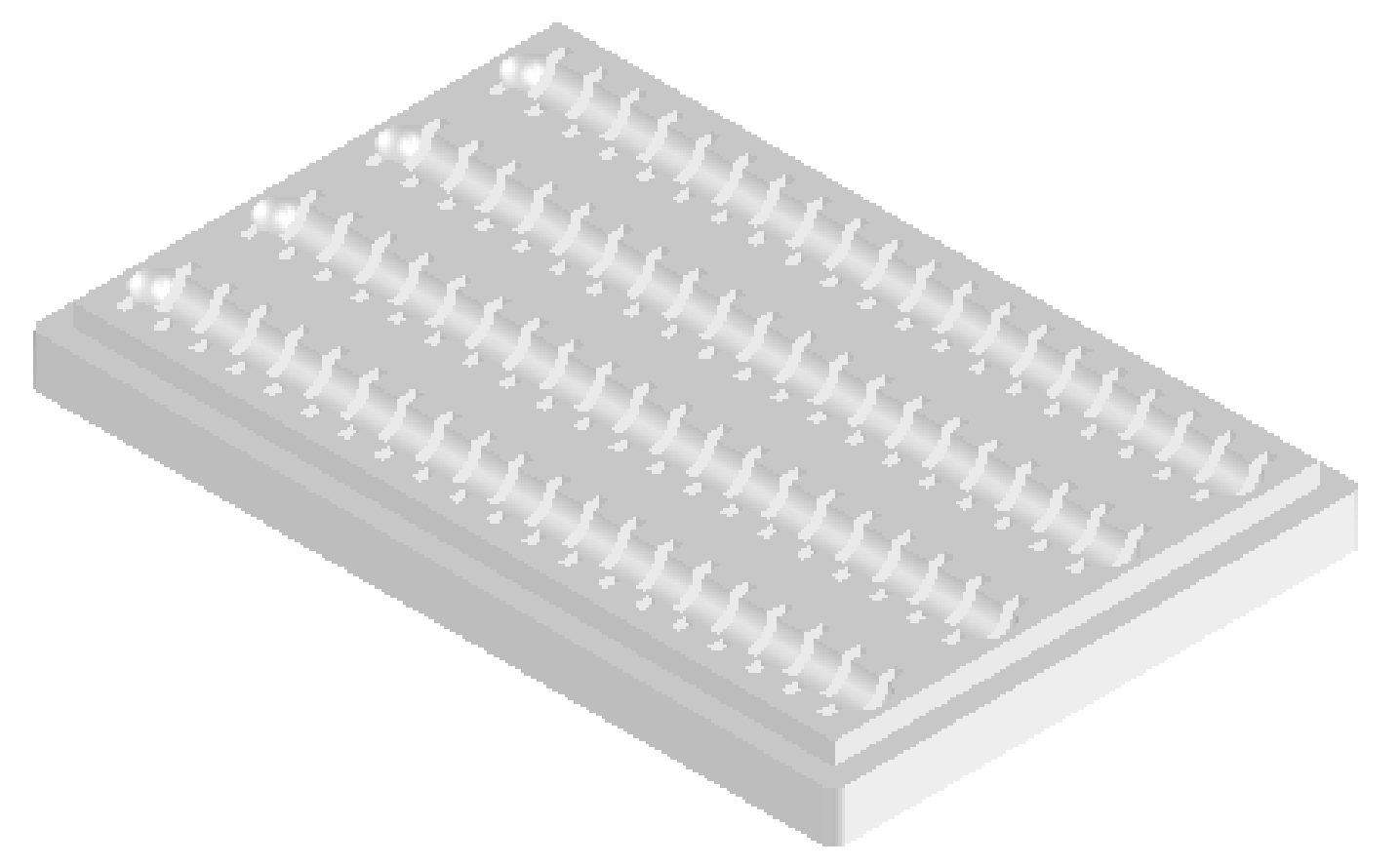
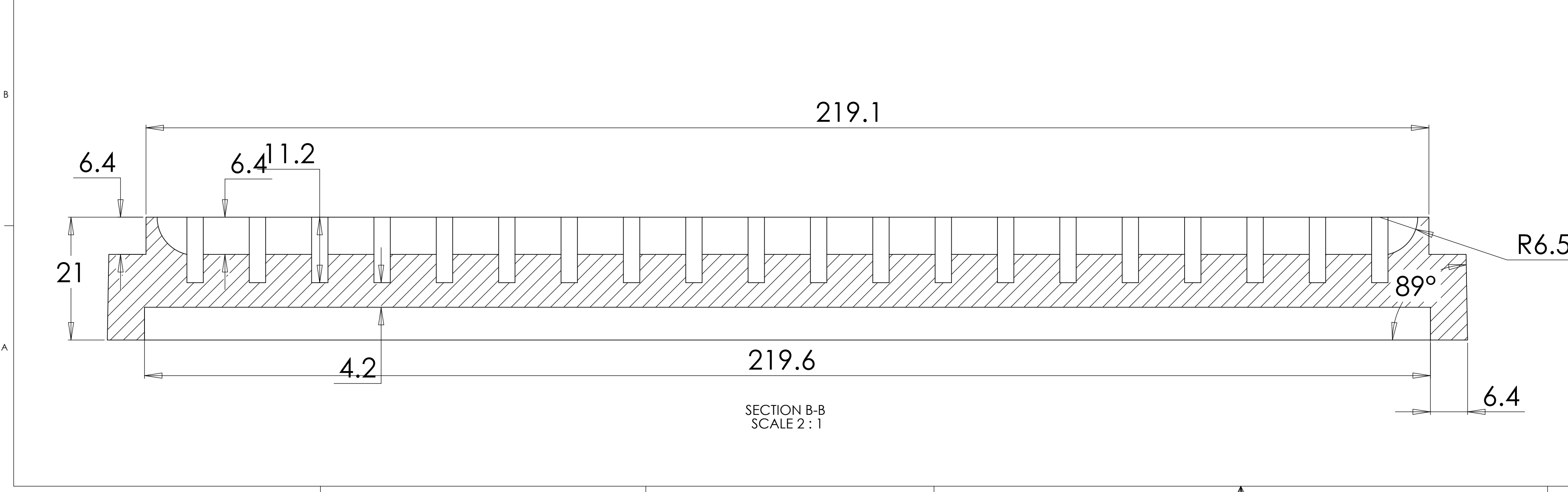


- Note:
- 1) Material To be 64g/l density (4.0 lb/ft³) EPS
 - 2) 1 Degree Draft TYP
 - 3) Volume = 27.1 cubic inches



PROPRIETARY AND CONFIDENTIAL
 THE INFORMATION CONTAINED IN THIS DRAWING IS THE SOLE PROPERTY OF Tempco Plastics Co., Inc. ANY REPRODUCTION IN PART OR AS A WHOLE WITHOUT THE WRITTEN PERMISSION OF Tempco Plastics Co., Inc. IS PROHIBITED.

UNLESS OTHERWISE SPECIFIED:		NAME	DATE	TITLE:
DIMENSIONS ARE IN Millimeters		Cucaron	8/16/05	
TOLERANCES:		DRAWN		SIZE DWG. NO.
FRACTIONAL ±		CHECKED		
ANGULAR MATCH ±		ENG APPR.		REV
BEND ±		MFG APPR.		
THREE PLACE DECIMAL ±		Q.A.		
MATERIAL:		COMMENTS:		
NEXT ASSY	USED ON	FINISH		
APPLICATION				

#101