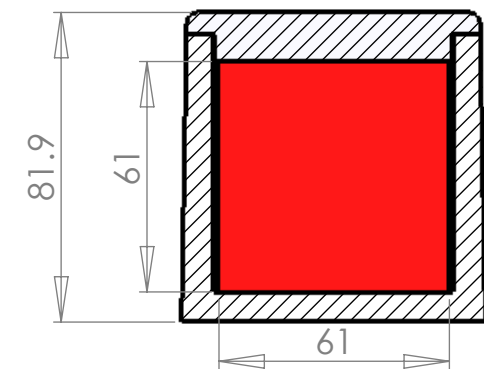
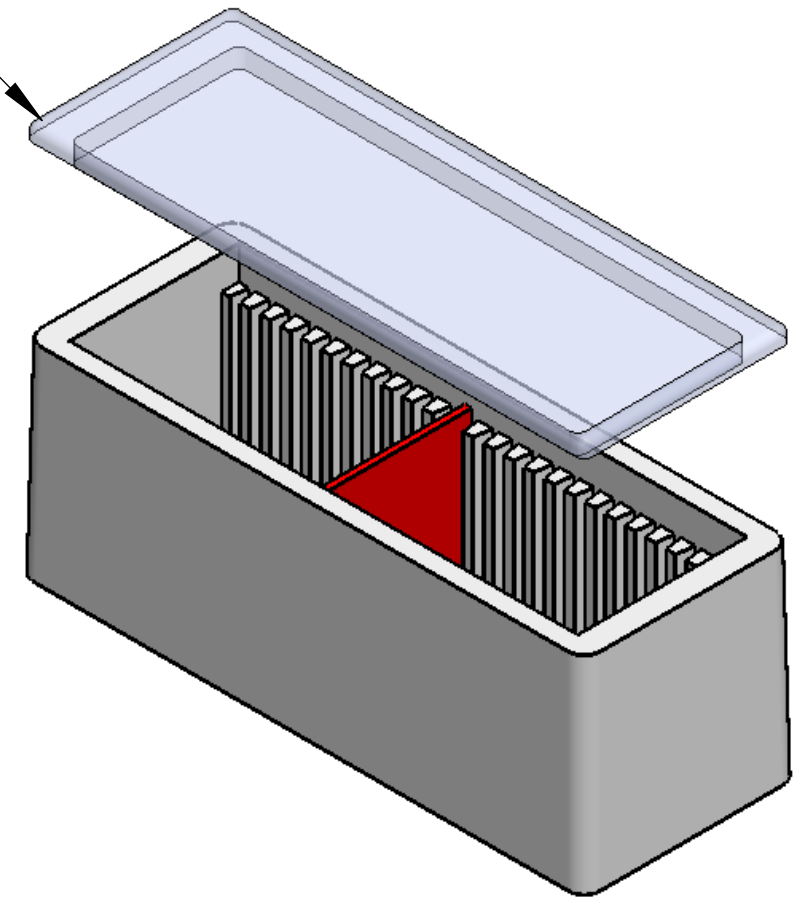


TRANSPARENT LID SHOWS SLOTS FOR 36 PCS.



- Note:**
- 1) Material To be 64g/l density (4.0 lb/ft³) EPS, Static Dissipative
 - 2) 1 Degree Draft TYP
 - 3) Dimensions shown are in millimeters

PROPRIETARY AND CONFIDENTIAL
 THE INFORMATION CONTAINED IN THIS DRAWING IS THE SOLE PROPERTY OF Tempo Plastic Co., Inc. ANY REPRODUCTION IN PART OR AS A WHOLE WITHOUT THE WRITTEN PERMISSION OF Tempo Plastic Co., Inc. IS PROHIBITED.

		UNLESS OTHERWISE SPECIFIED:		NAME	DATE	Tempo Plastic Co., Inc.	
		DIMENSIONS ARE IN INCHES		DRAWN	Steven Alatorre	July 1, 2009	TITLE: TB2424
		TOLERANCES:		CHECKED			
		FRACTIONAL ±		ENG APPR.			
		ANGULAR: MACH ± BEND ±		MFG APPR.			
		TWO PLACE DECIMAL ±		Q.A.			SIZE DWG. NO. REV
		THREE PLACE DECIMAL ±		COMMENTS:			B SCALE: 1:2 SHEET 1 OF 1
		INTERPRET GEOMETRIC TOLERANCING PER:					
		MATERIAL					
		FINISH					
NEXT ASSY	USED ON	APPLICATION		DO NOT SCALE DRAWING			