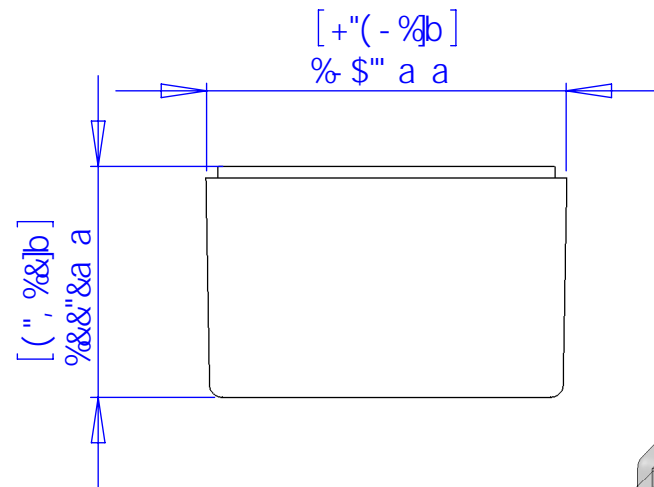
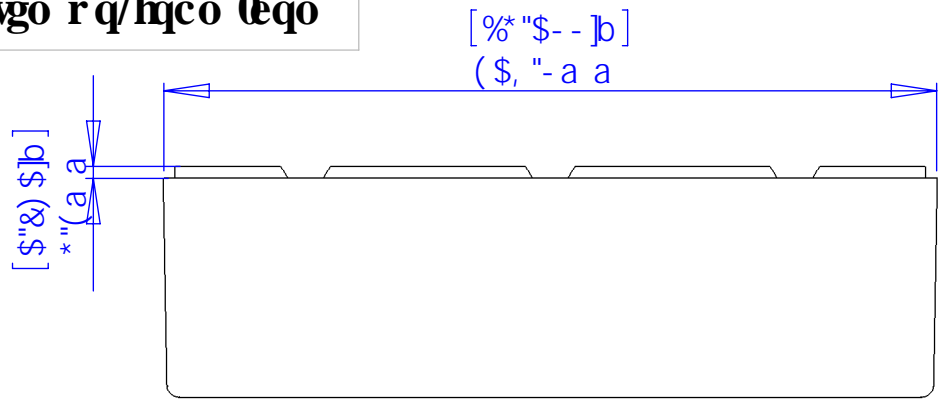
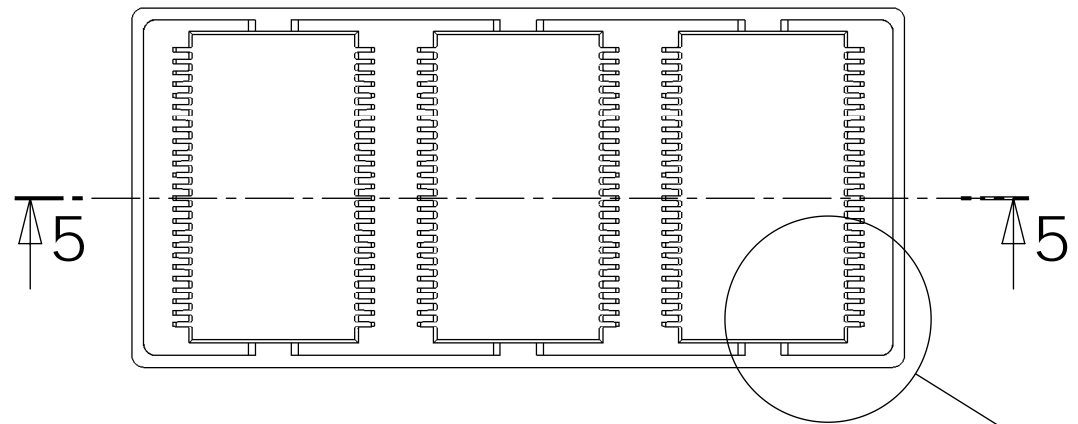


yy y 0go r q/hqco 0eqo

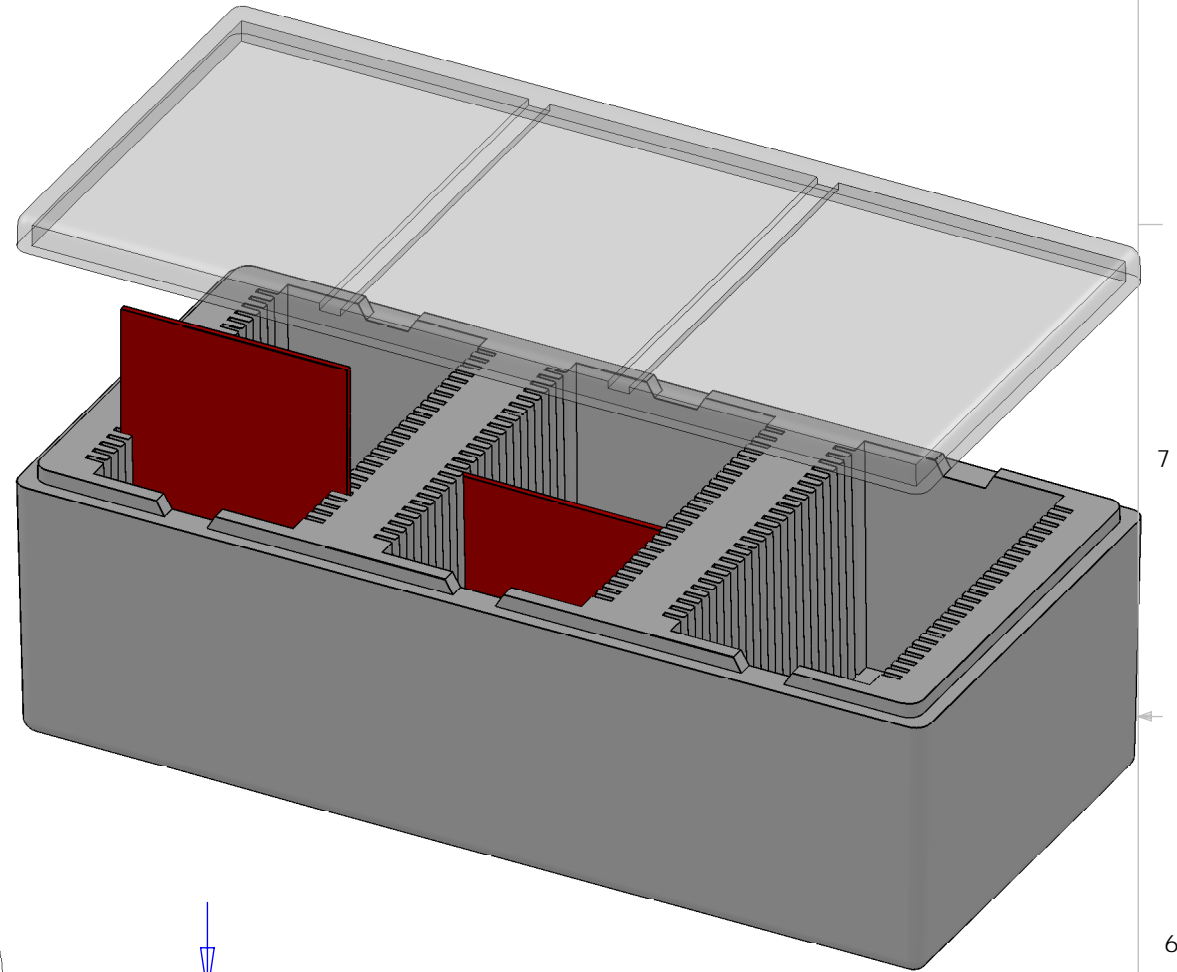
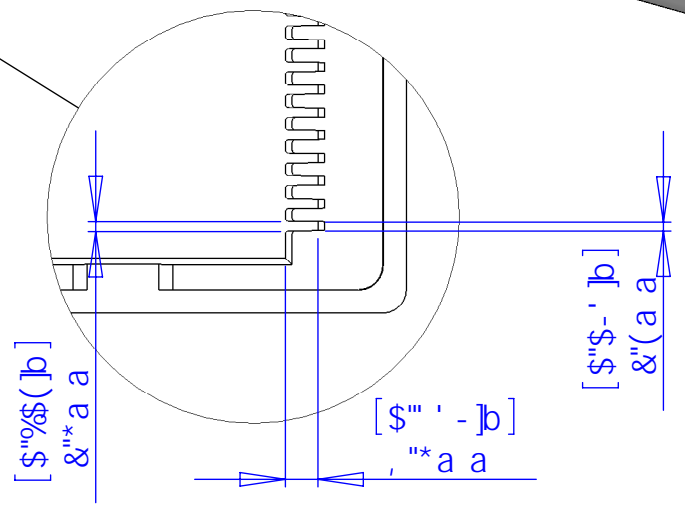
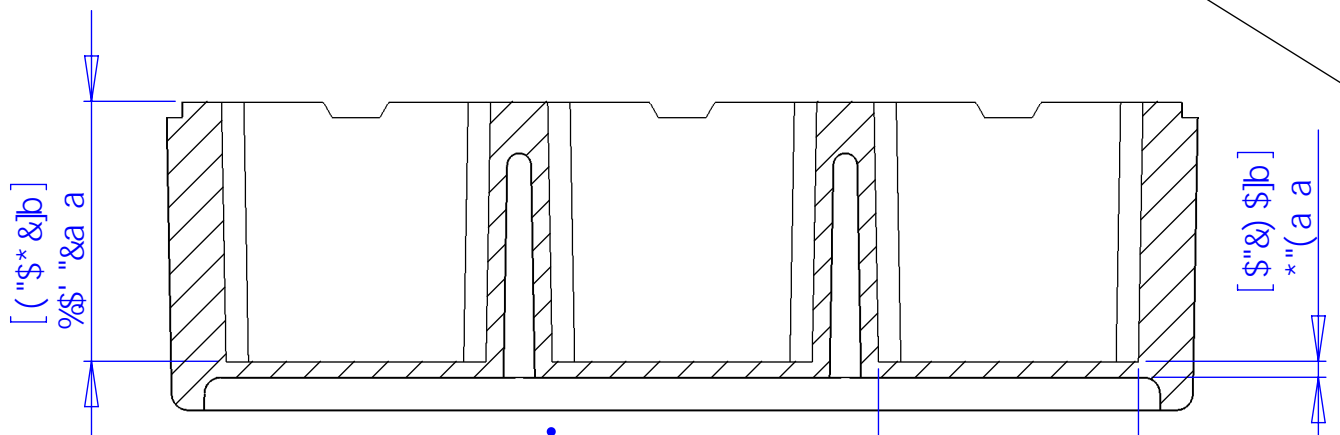
8



7



6



8

7

6

G97 H€ B '5!5'  
G7 5 @9%."

A UHYfJU`FY`JYZ

8 9H5 @6'  
G7 5 @9%.' &

BchY.

%&'A UHYfJU`Hc`VY`\* ([ #`  
XYbg]hmf( "\$`V#h Ł'9DG  
&Ł'%8Y[ fYY`8fUZiHMD  
' Ł: ]`YhfUX]i g`bchW[h]W

DFCDF-945FM5B87CB: -89BH5@  
H:9-B: CFA 5HC B 7 CBH5-B98-B H-6  
8F5K B: -GH:9GC @DFC.D9F HMC:  
Vgo r q'Rrcule'E q0'Kpe0 5BM  
F9DFC8I 7HC B-B D5FHCF 5G5 K <C @  
K H:C I HH:9K F-H9B D9FA GGC B C:  
Vgo r q'Rrcule'E q0'Kpe0 G  
DFC <6+98"

B9LH5GGM	I 098 C B	5DD@7 5HC B	8C BC HG7 5 @98F5K -B:
----------	-----------	-------------	------------------------

I B @GGC H:9FK @9 QD97 ±98.	B5A 9	85H9
8A 9BGC BG5F9-B B7 <9G HC @F5B7 9G :F57 HC B5 @± 5B: I @5F: A 57 <±.....69B 8 ± HK C D @57 9897-A 5 @±± H:F99D @57 9897-A 5 @±	8F5K B	>F<
8HFD9H: 9CA 9H-7 HC @F5B7 B: D9F.	7 <97?98	+ #/ & # & \$ % &
A 5HF-5 @	9B: '5DDF"	
	A: ; '5DDF"	
	E "5"	
	7 C A A 9BHG	

<b>Vgo r q'Rrcule'E q0'Kpe0</b>		
H H @. +) G( \$* &		
G A 9	8K ; "'BC "	F 9J
<b>6</b>		
G7 5 @9. %)		G < 99H% C : %

5

5