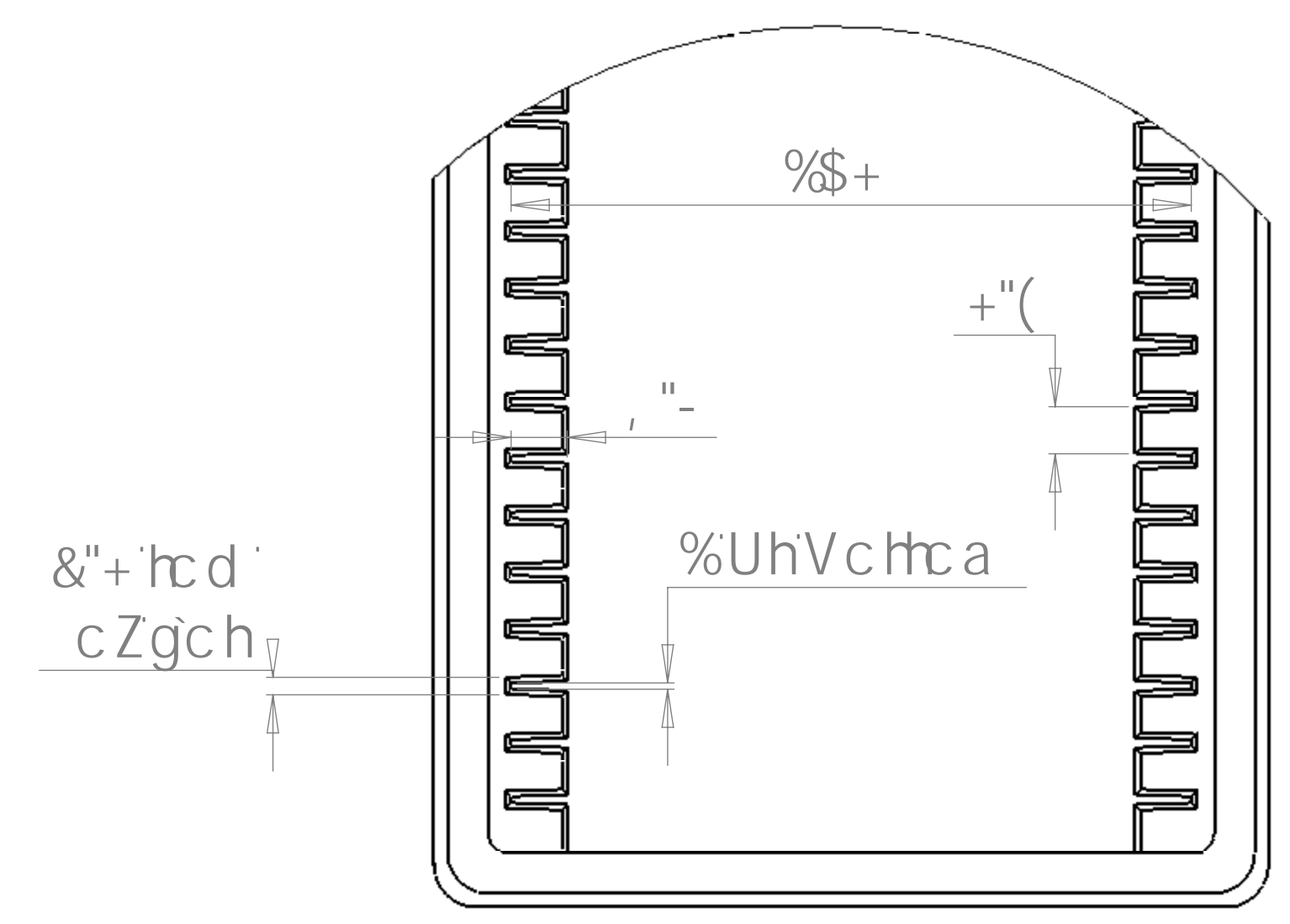
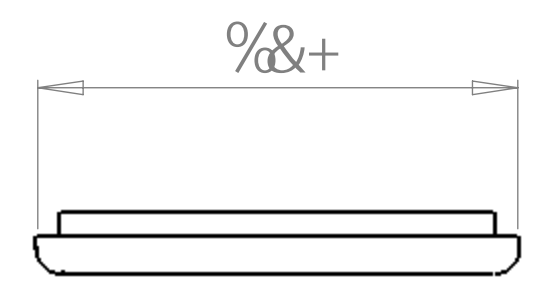
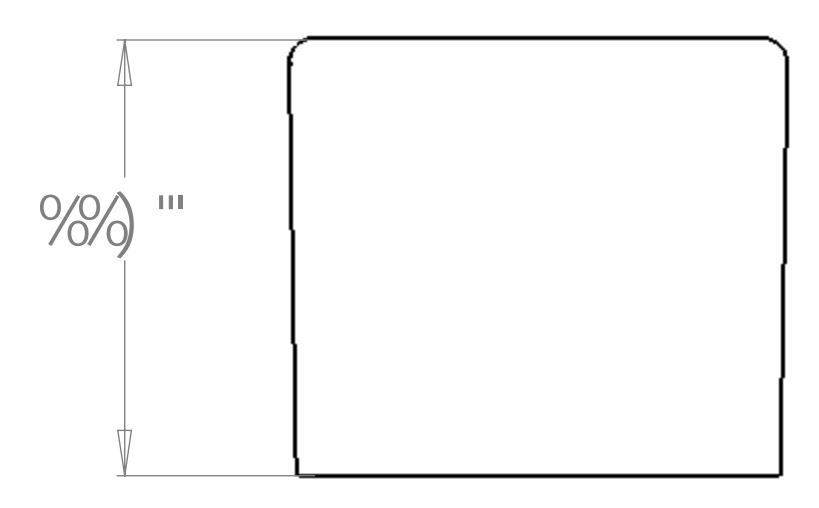
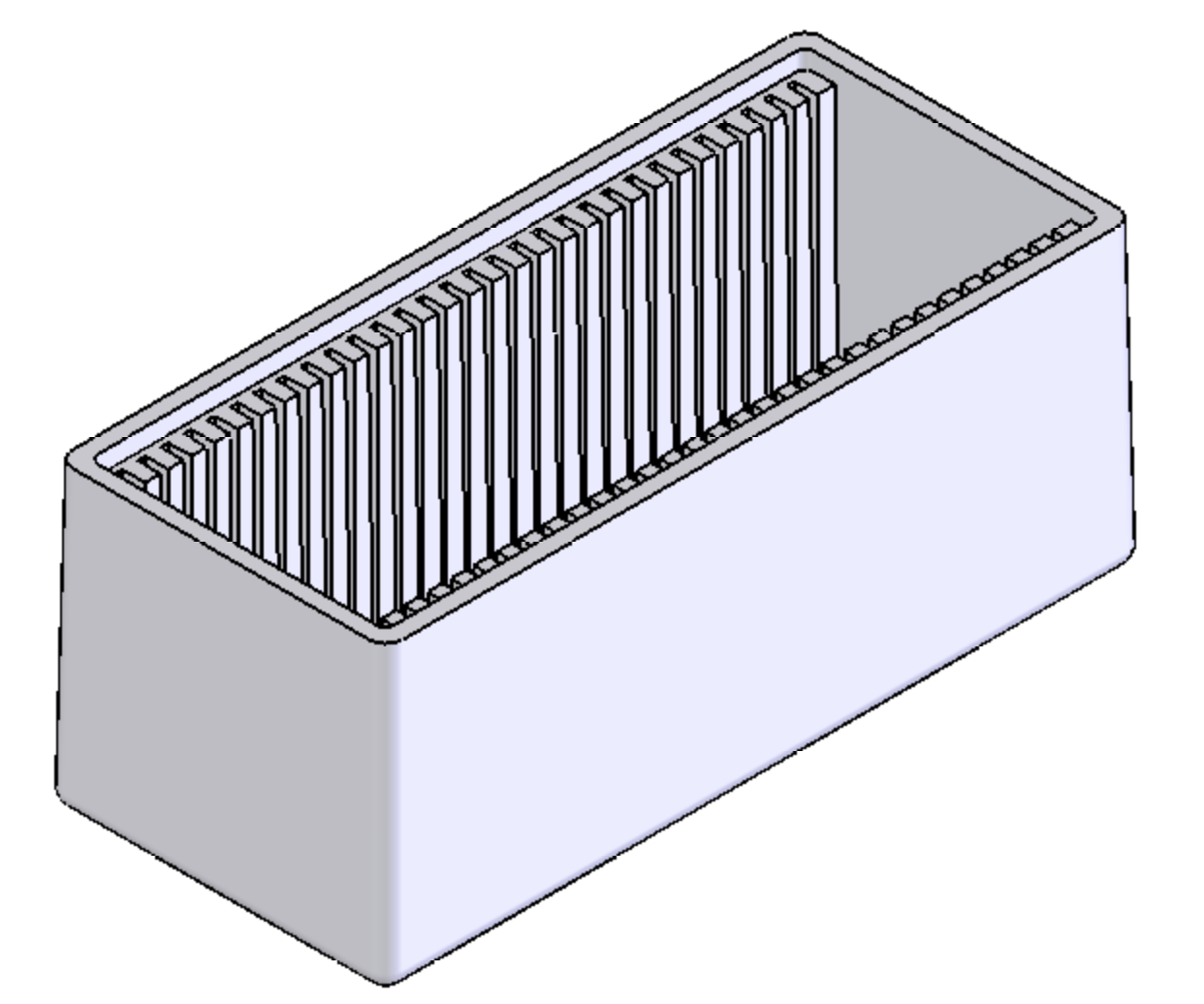
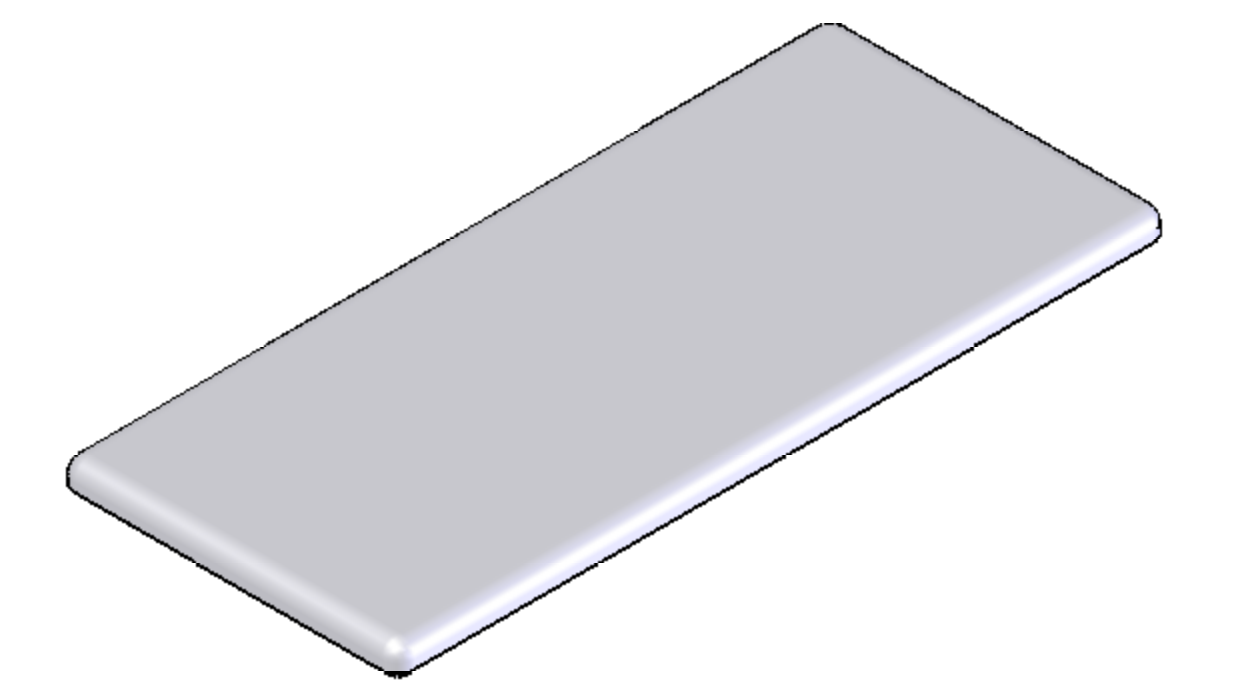


G97 HC B 515



BchY.

%&'A Uhy f]U`Hc`VY`* ([#`XYbg]lmf("\$`V#Zl E`9DGz
G\fb_U[Y`]g"%&a a`dYf&)"(a a
 &E`C d`h]c bU`a Uhy f]U`* ([#`XYbg]lm9D9z
G\fb_U[Y`]g"+) a a`dYf&)"(a a ž]bWi XYX`]b`XYg][b
 ' E`%8Y[fYY`Yl hYf]c fZ`%#&`8Y[fYY` bhYf]c f8fUZhMD

DFC DF 95FM5B8 7CB: 89BH5@

H:9 B: CFA 5HC B 7C B H5 B98 B H:6
 8F5K B: 6H:9 CC @DFC D9FMC:
 H'a dc D'UgW7 c" bW 5BM
 F9DFC 8I 7HC B B D5FHC F 5G5 K <C @
 K H:C I H:9 K F H9B D9FA GGC B C:
 H'a dc D'UgW7 c" bW 6
 DFC < 6+98"

1 B4000CH 9FK @DZ97 + 9B	B5A 9	851P	Vgo r q'Rrcuve'Eq.'Kpe0
8A 80C BCSF9 B A]b YWg	8FSK B	8] bcf +#, #S,	HH9.
IC 8F5B 7% F57HC B5H SB: 1 85F A 51 + 2 698B + K C D87 9897 A 5# 1 H F99D87 9897 A 5# 2	7<9798	9B: 500F"	' \$G(\$* &k
BHEF9H 9CA 9F7 IC 8F5B 7: 106 A 51F 6#	E 5"		
B9LH5GM	1 09B CB	B 6:	%&+ B"A]YfDUf_7 H J]g]Uz75`-`&- %
SDDW 5HC B			GAP BK: "BC"
			F 9J
			8
			5
			G7 5 @9. % &
			G-99HHC: %

89H5 @6
 G7 5 @9. %