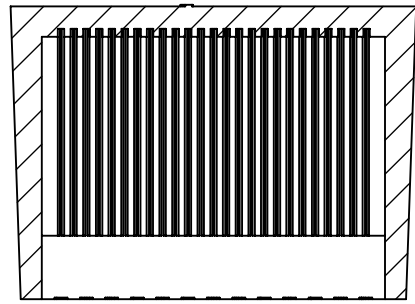
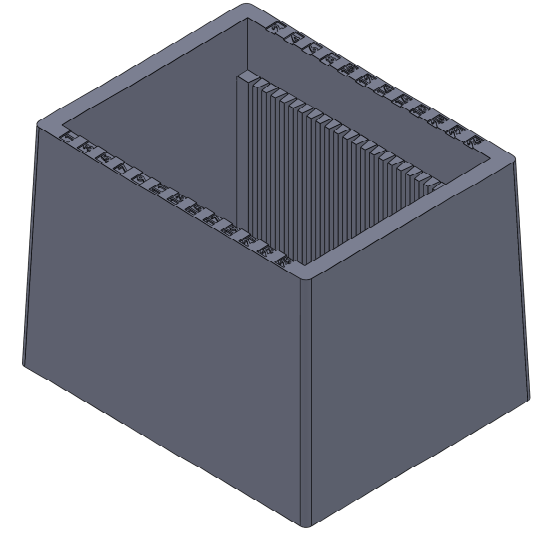
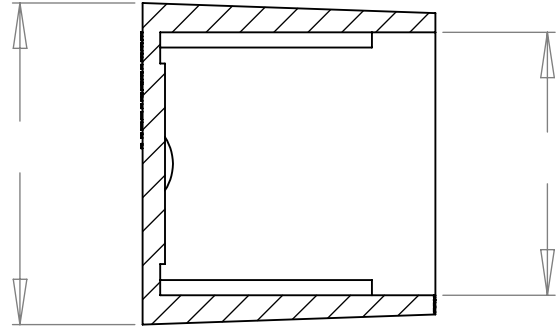
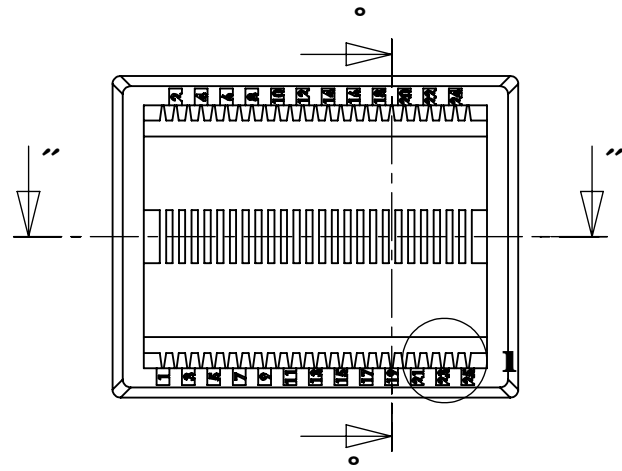
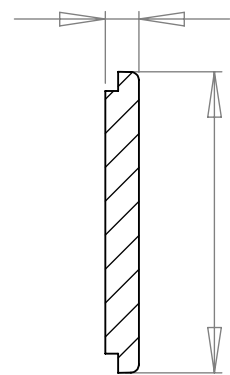
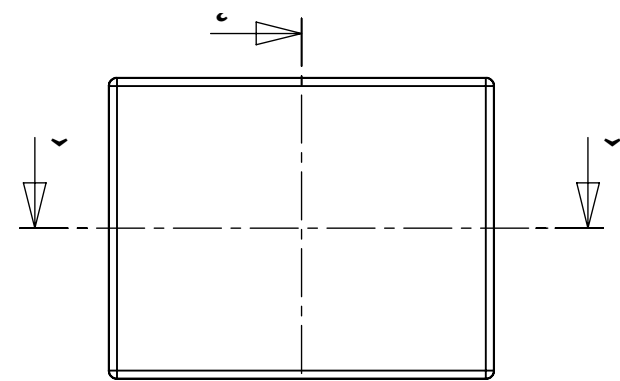
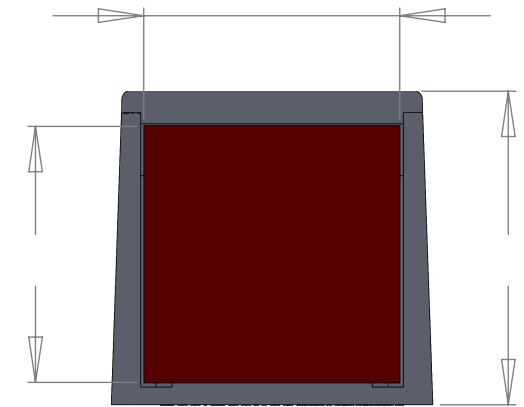
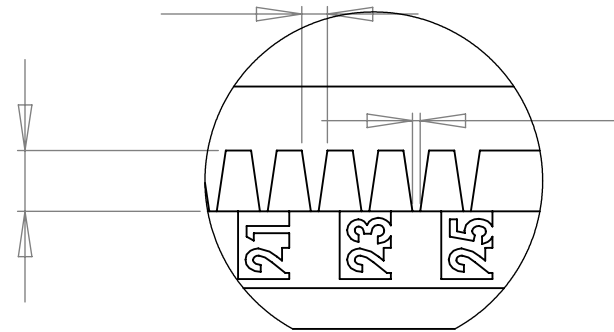


y y y 0go r q/hqco 0eqo



' 1, (I# " ~ ~ ~
' ži ~ ~ ~



' 1, (I# " ~ ~ ~
' ži ~ ~ ~



' 1, (I# " ~ ~ ~
' ži ~ ~ ~

' 1, (I# " ~ ~ ~
' ži ~ ~ ~

DFC DF-945FM5B87CB: 89BH5@
H: 9 B: CFA 5HC B 7 CBH5 B98 B H-6
8F5K B: -GH: 9GC @DFC D9F HMC:
H9A DC D@5GH7 7Cž-B7" 5BM
F9DFC 8I 7HC B B D5FHC F 5G5 K <C @
K H: C I HH: 9K F H9B D9FA GGC B C:
H9A DC D@5GH7 7Cž-B7" G
DFC <6498"

| | | | | | | | |
|-----------|---------------|----------------------------------|--------------|----------|-----------|------------------------------|-----------------|
| | | I B @GGC H: 9FK @9 QD97 ± 98. | | B5A 9 | 85H9 | H9A DC D@5GH7 7Cž-B7" | |
| | | 8 A 9B GC BG5F9 B A A | 8F5K B | >I B € F | +#&\$#%\$ | H H @. | |
| | | HC @F5B7 9G | 7 < 97 ? 98 | | | | |
| | | : F57 HC B5 @± | 9B: '5DDF" | | | | |
| | | 5B: I @5F: A 57 <± ~ ~ ~ 69B 8 ± | A: ; '5DDF" | | | | |
| | | HK C D @5 7 9 8 97 A 5 @ ± | E "5" | | | | |
| | | H: F99 D @5 7 9 8 97 A 5 @ ± | 7 C A A 9BHG | | | | |
| | | B H F D F 9H: 9C A 9H 7 | | | | G A 9 | 8 K ; " " BC " |
| | | HC @F5B7 B: D9F. | | | | 6 | F 9J |
| | | A 5H F 5 @ | | | | | 5 |
| B 9LH5GGM | I 098 C B | : B G< | | | | G 7 5 @. % & | G < 99H % C : % |
| | 5DD @ 7 5HC B | 8C B CHG 7 5 @ 8F5K B: | | | | | |