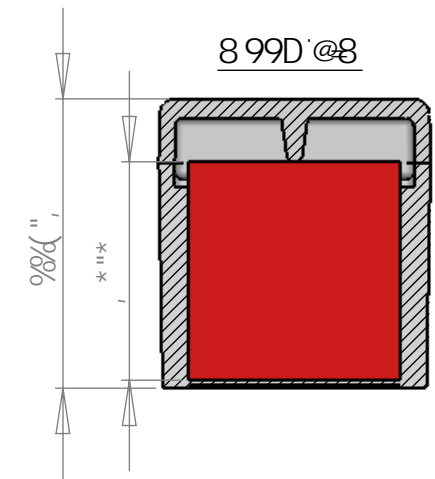
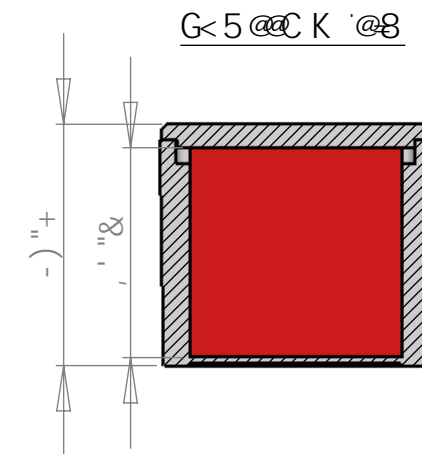
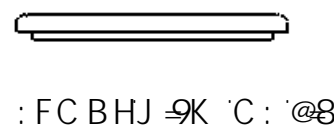
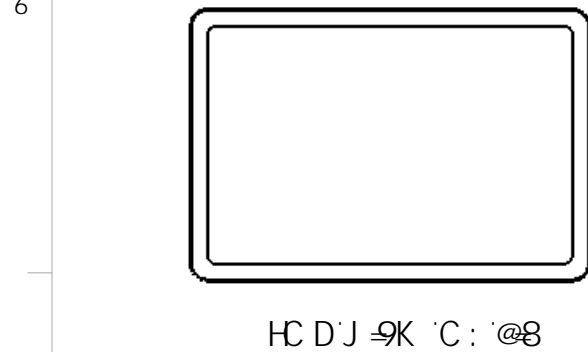
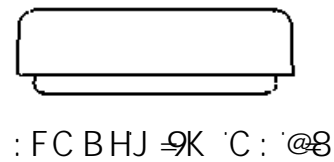
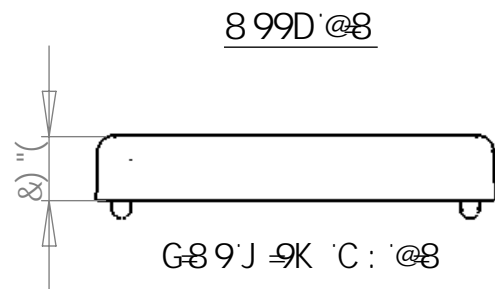
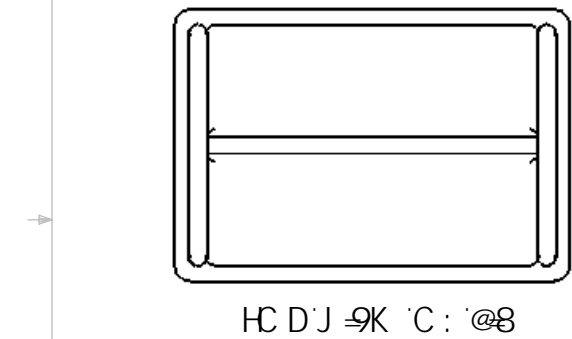
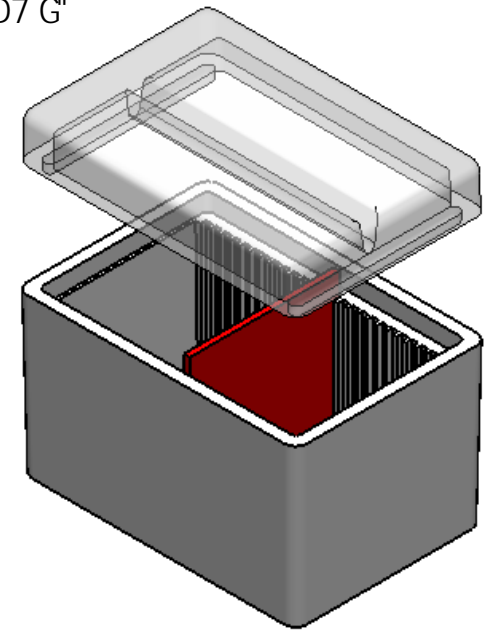
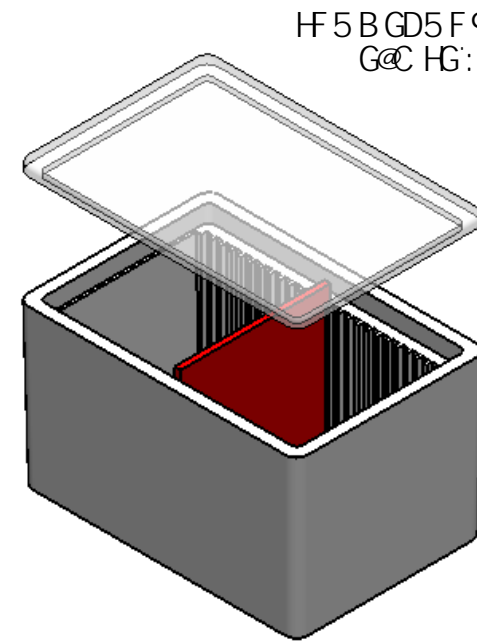
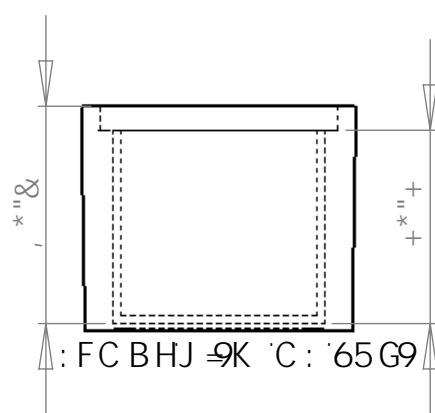
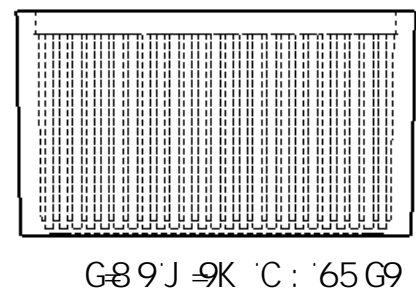
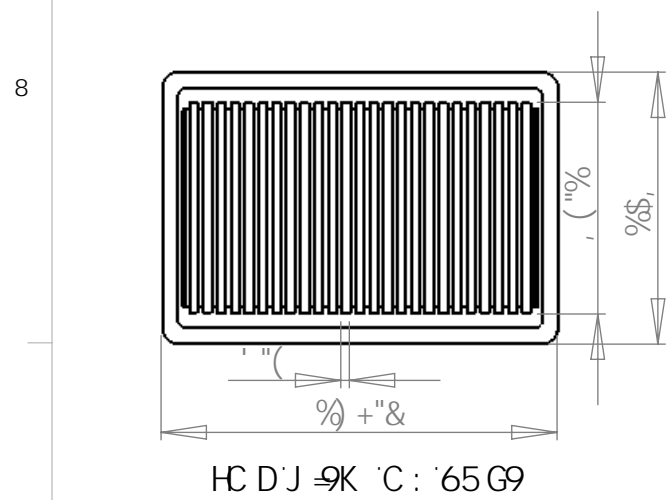


yy y 0go r q/hqco 0eqo



BchY.
 %&'A UHYf]U`Hc`VY`* ([#`XYbg]hmf("\$`V#zh Ł'9DGž
 ...GhUj]W8]gg]dUhj`Y
 &Ł`%8Y[fYY`8 fUZiHMD
 ' Ł'8]a Ybg]cbg`g\ck b`UfY`]b`a]`]a YHYfg

DFC DF-945FM5B87CB: 89BH5@
 H: 9 B: C FA 5HC B 7 CBH5 B98 B H-6
 8F5K B: GH: 9GC @DFC D9F HMC:
 Vgo r q'Rrcule'E q0'Kpe0 5BM
 F9DFC 81 7 HC B B D5FHCF 5G5 K <C @
 K H: C I HH: 9K F H9B D9FA GGC B C:
 Vgo r q'Rrcule'E q0'Kpe0 G
 DFC < 6498"

		I B @GGC H: 9FK @9 QD97 ± 98.	B5A 9	85H9	Vgo r q'Rrcule'E q0'Kpe0
		8 A 9B GC BG5F9 B B7 < 9G HC @F5B7 9G : F57 HC B5 @± 5B: I @5F: A 57 < ± 69B 8 ± K C D @57 9897 A 5 @ ± ± H: F99D @57 9897 A 5 @ ± ±	8F5K B	Gy] Yb` 5 Ufc ffY	
		BHFDF9H: 9CA 9HF 7 HC @F5B7 B: D9F.	7 < 97 ? 98		HH @.
		A 5HF 5 @	9B: '5 DDF"		&) G' &) \$'K Hk` 8 99D` 5 B 8` G< 5 @ @ C K ` @ 8
B 9LH5 GGM	I G98 C B	: B G<	A: '5 DDF"		
			E "5"		
			7 C A A 9BHG		
					G A 9 8 K ; " " BC "
					F 9 J
					6
					G7 5 @. %'
					G< 99H % C : %