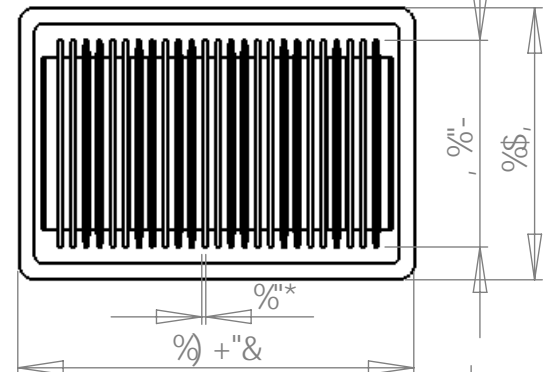
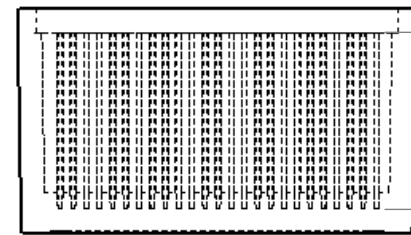


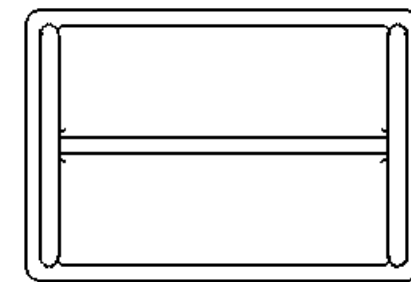
yy y 0go r q/hqco 0eqo



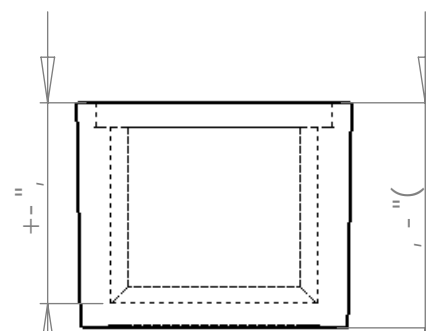
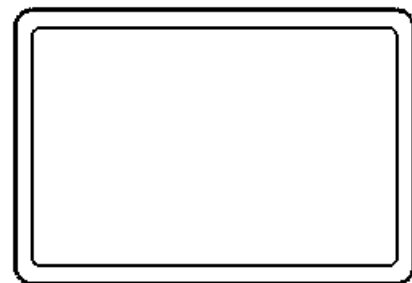
HC D'J 9K 'C : '65 G9



G89'J 9K 'C : '65 G9

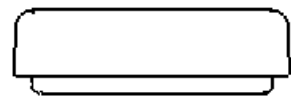


HC D'J 9K 'C : '@8

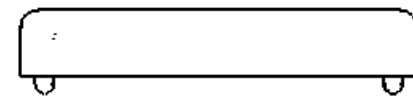


FC BHJ 9K 'C : '65 G9

899D @8

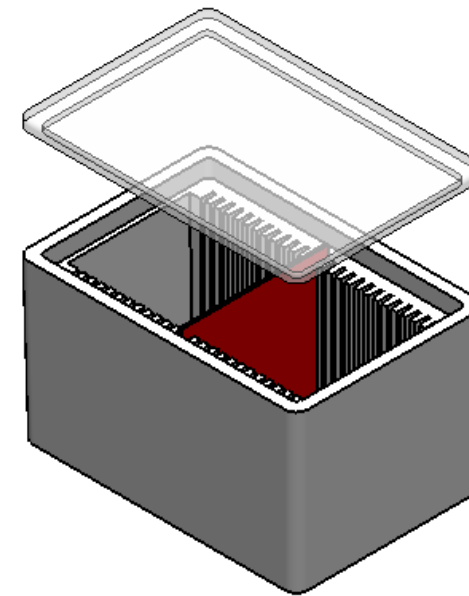
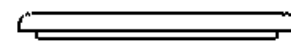


: FC BHJ 9K 'C : '@8

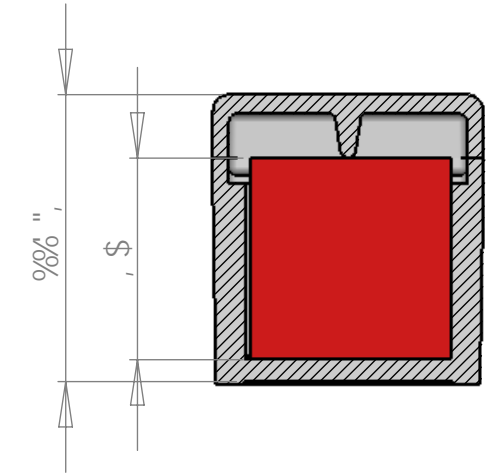
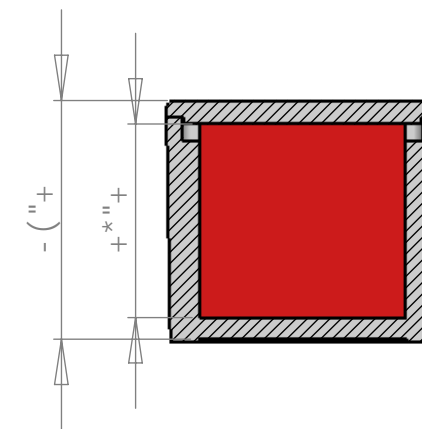
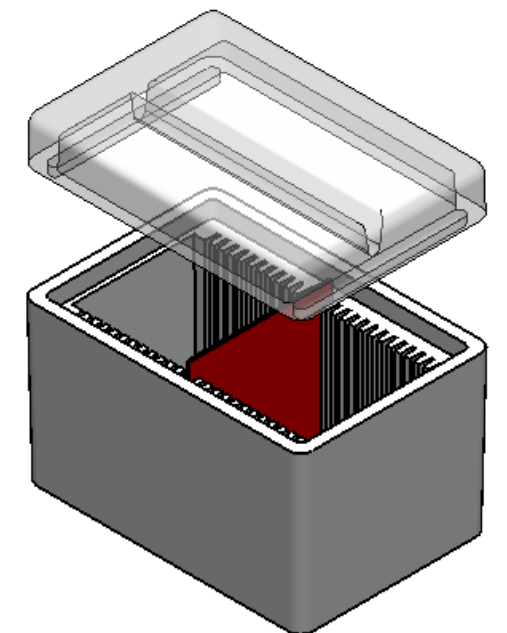


G89'J 9K 'C : '@8

G<5 @C K '@8



HF5BGD5F9BH@8 'G<C K G
G@C HG: C F '&) 'D7 G'



7 I HG97 HC B 'G<C K 'GD5FH'B 'D@5 7 9

BchY.
%&'A UHfjU 'Hc 'VY '* ([# 'XYbg]hmf (" \$ 'V#h 1'9DGž
...GhUjW8]gg]dUj] Y
&L'%8Y[fYY '8FUziHMD
' 1'8]a Ybg]cbg'g\ck b'UfY]b'a]''a YHYfg

DFC DF-945FM5B87CB: 89BH5@
H:9 B: C FA 5HC B 7 CBH5 B98 'B 1K-6
8F5K B: 'GH:9GC @DFC.D9F HMC:
Vgo r q'Rrcule'E q0'Kpe0 5BM
F9DFC 81 7 HC B 'B D5FHCF 5G5 K <C @
K H:C I HH:9K F-H9B D9FA GGC B C:
Vgo r q'Rrcule'E q0'Kpe0 G
DFC <6498"

		I B @GGC H:9FK @9 QD97 ≠98.	B5A 9	85H9	Vgo r q'Rrcule'E q0'Kpe0	
		8 A 9BGC BG5F9 B 'B7 <9G HC @F5B7 9G : F57 HC B5@± 5B: I @5F: A 57 <±.....69B8 ± HK C D@5 7 9897 A 5@±± H:F99D@5 7 9897 A 5@±	8F5K B			H#@.
		BHFD9H: 9CA 9F-7 HC @F5B7 B: D9F.	7 <97 ?98		&) G' % \$ '65 G9'K ±k ' 8 99D5 B 8 'G<5 @C K '@8	
		A 5HF-5@	9B: '5DDF"			
B9LH5GGM	I G98 C B	: B G<	A: '5DDF"		GAP 8K ; "'BC "	F9J
			E "5"		6	
			7 C A A 9BHG			G7 5 @9. '%
	5DD@7 5HC B	8C BC HG7 5 @98F5K B:				