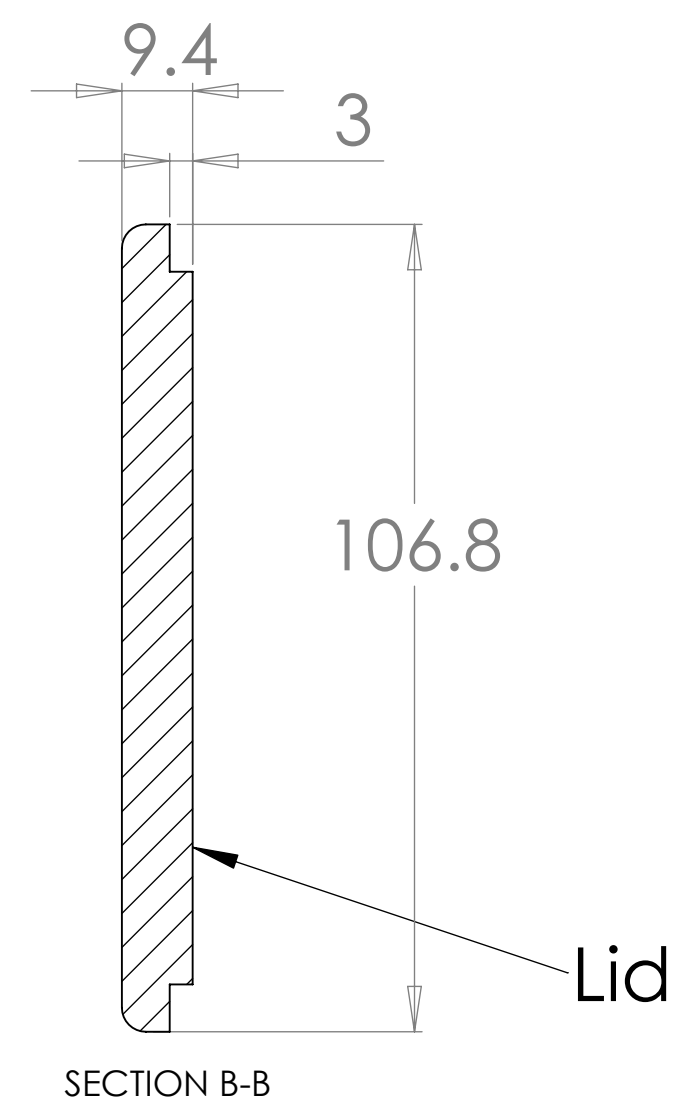
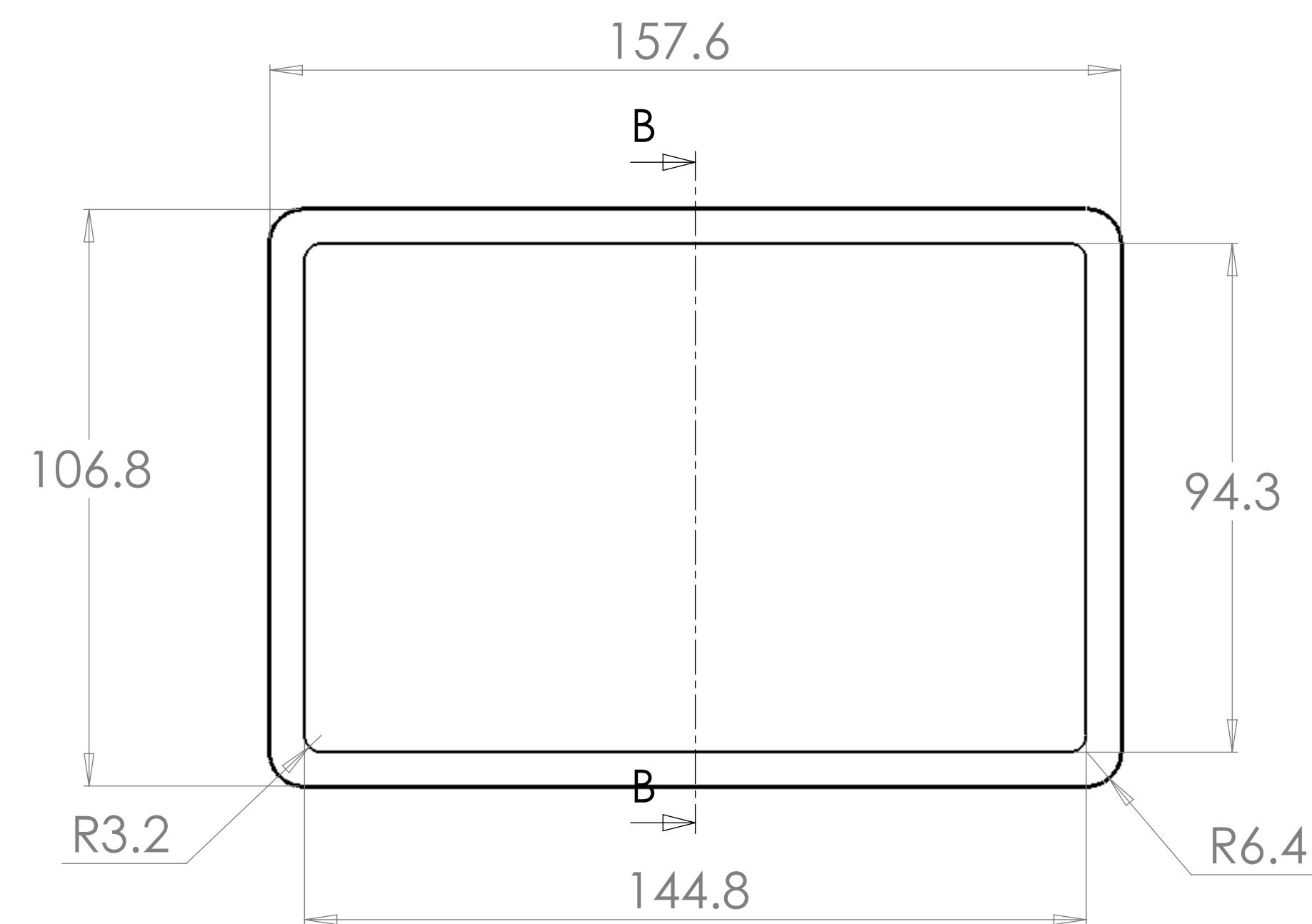


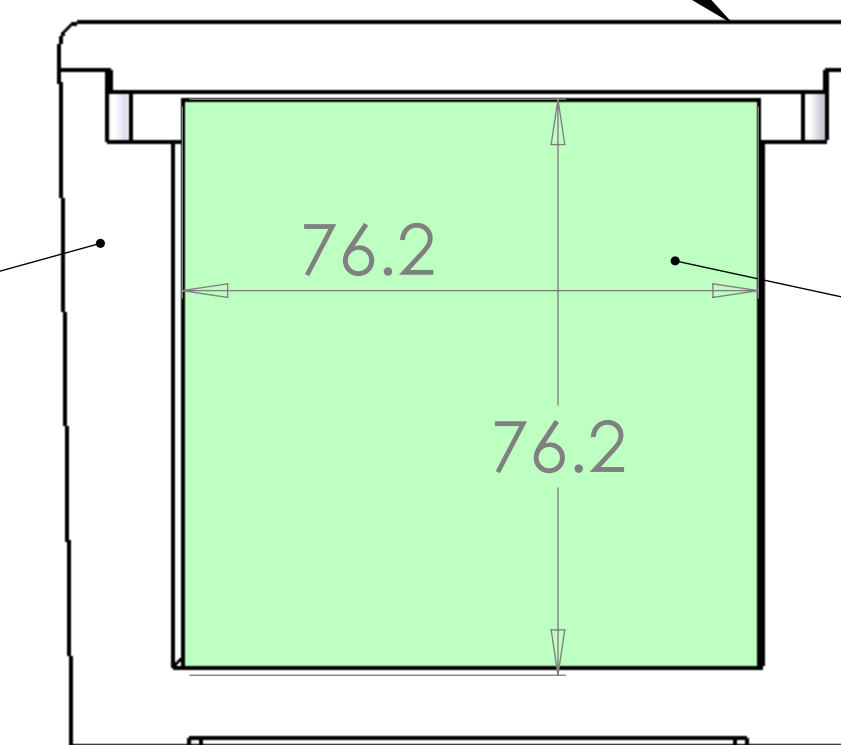
Note:

- 1) Material To be 64g/l density (4.0 lb/ft3) EPS
- 2) 1 Degree Drafft TYP
- 3) Base: Volume = 42.2 cubic inches
Lid : Volume = 9.0 cubic inches



25S-3961 Shallow Lid

25S-3062 Base



3" Square Substrate

PROPRIETARY AND CONFIDENTIAL

THE INFORMATION CONTAINED IN THIS DRAWING IS THE SOLE PROPERTY OF Tempo Plastic Co. Inc. ANY REPRODUCTION IN PART OR AS A WHOLE WITHOUT THE WRITTEN PERMISSION OF Tempo Plastic Co. Inc IS PROHIBITED.

UNLESS OTHERWISE SPECIFIED:		NAME	DATE
DIMENSIONS ARE IN Millimeters	FRACTIONAL ±	Junior	12/6/05
TOLERANCES:	ANGULAR: MATCH ±	CHECKED	
	BEND ±	ENG APPR:	
	TWO PLACE DECIMAL ±	MFG APPR:	
	THREE PLACE DECIMAL ±	Q.A.	
INTERPRET GEOMETRIC TOLERANCING PER:			
MATERIAL	1227 N. Miller Park Ct. Visalia, CA 93291		
NEXT ASSY	USED ON	FINISH	
APPLICATION			

Tempo Plastic Co, Inc.	
TITLE:	25S-3062 Base & Lid
SIZE	DWG. NO. 8706JR
REV	A
SCALE: 1:1	SHEET 1 OF 1