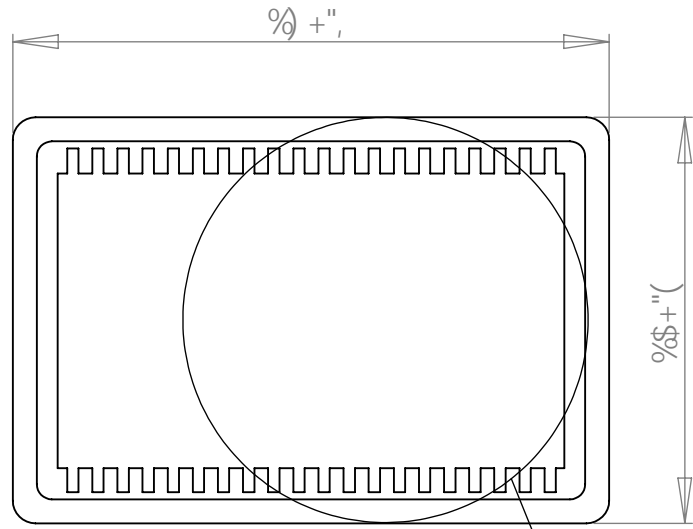


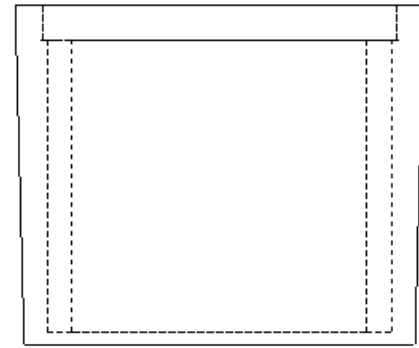
yy y 0go r q/hqco 0eqo

8

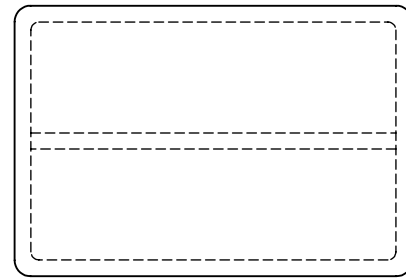


BG-89'J 9K 'C: '65 G9

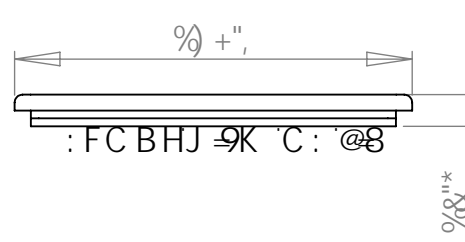
5



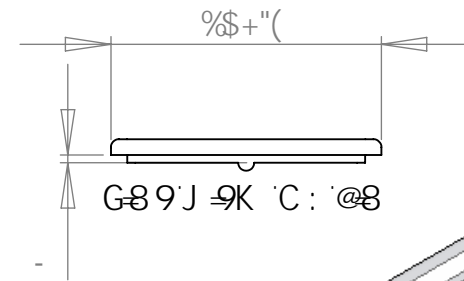
: FC BHJ 9K 'C: '65 G9



HC DJ 9K 'C: '@8

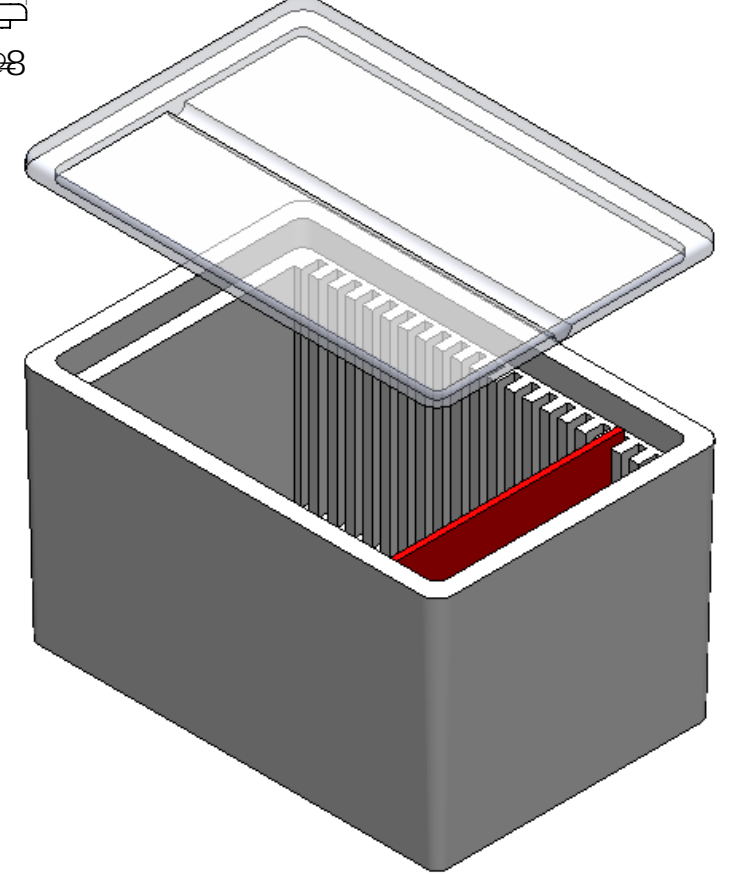


: FC BHJ 9K 'C: '@8



G89'J 9K 'C: '@8

HF5BGD5F9BH@8'G<C K G  
7 FI G< F 6'5B8'  
G@ HG: C F '&\$'D7 G'

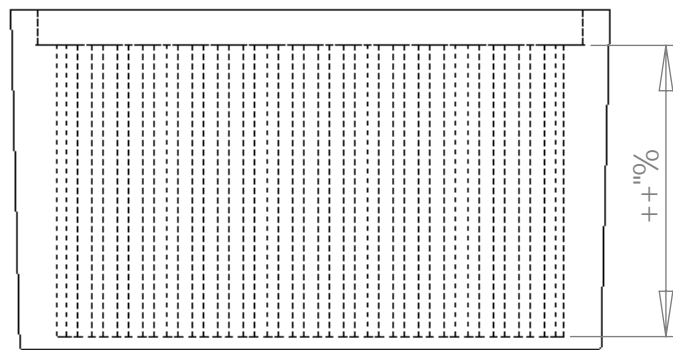


7

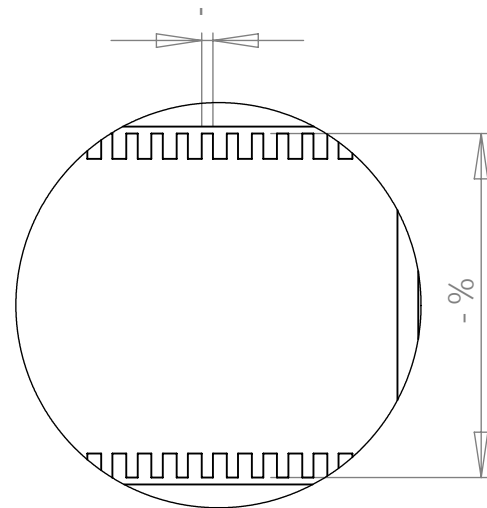
7

6

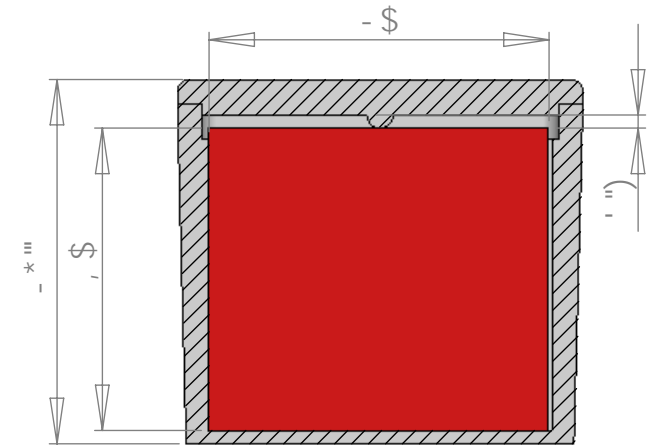
6



G-89'J 9K 'C: '65 G9



8 9H5 @5



7 I HG97 HC B 'K #k 'D5 FH-B 'D@5 7 9

5

5

BcHY.  
%&'A UHYf]U'Hc'VY'\*( [#'XYbg]hmf("\$`V#zh Ł'9DGž  
...GhUjW8]gg]dUhj Y  
&Ł'%8Y[ fYY'8fUzhHMD  
' Ł'8]a Ybg]cbg'g\ck b'UfY']b'a ]`]a YHYfg

DFCDF-945FM5B87CB:-89BH5@  
H:9-B:CFA5HC B 7 CBH5-B98-B H-6  
8F5K-B: -GH:9GC @DFC.D9F HMC:  
Vgo r q'Rrcule'E q0'Kpe0 5BM  
F9DFC8I 7HC B-B D5FHCF 5G5 K <C @  
K #k:C I HH:9K F-HH9B D9FA @GC B C:  
Vgo r q'Rrcule'E q0'Kpe0 G  
DFC < 6498"

		I B @GGC H:9FK @9 QD97 =98.		B5A 9	85H9	<b>Vgo r q'Rrcule'E q0'Kpe0</b>
		8 A 9BGC BG5F9-B 'B7 <9G HC @F5B7 9G : F57 HC B5@± 5B: I @5F: A 57 <±.....69B8 ± K C D@5 7 9897-A 5@±± H:F99D@5 7 9897-A 5@±	8F5K B	GY'Yb 5 Ufc ffY	> m%&\$S-	
		BHFDF9H: 9CA 9HF-7 HC @F5B7 B: D9F.	7 <97?98			&\$G' ) * & 6UgY / '@X
		A 5HF-5@	9B: '5DDF"			
		: B G<	A: ; '5DDF"			
			E "5"			
			7 C A A 9BHG			
B 9LH5GGM	I G98 C B					GA9 8K ; ""BC "
						F9J
						<b>6</b>
						G7 5 @. '%'
						G<99H% C: '%