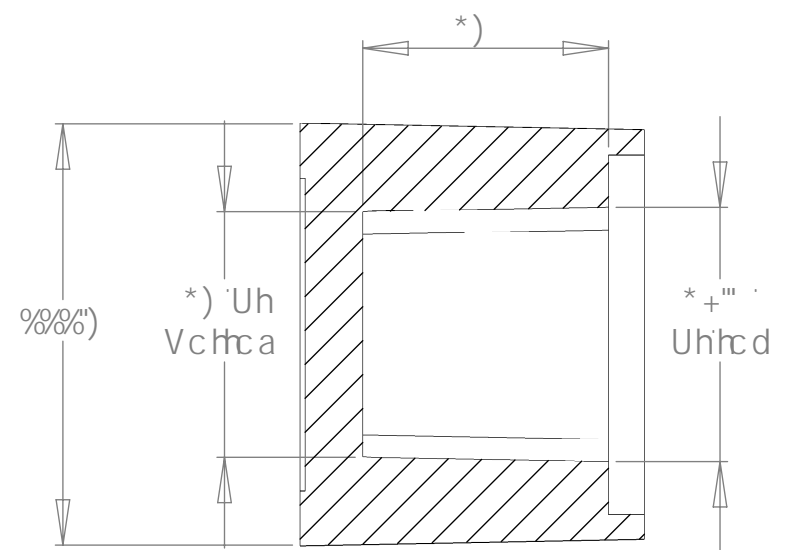
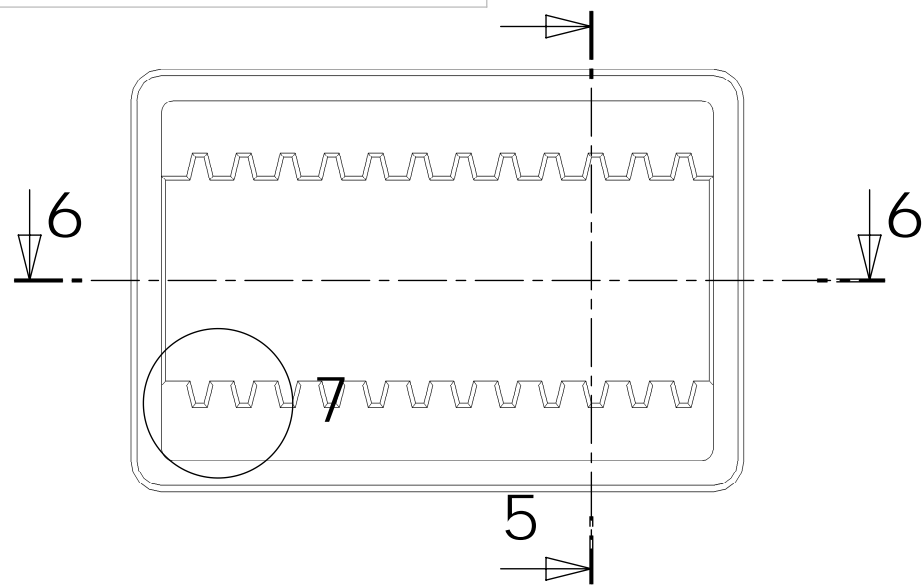
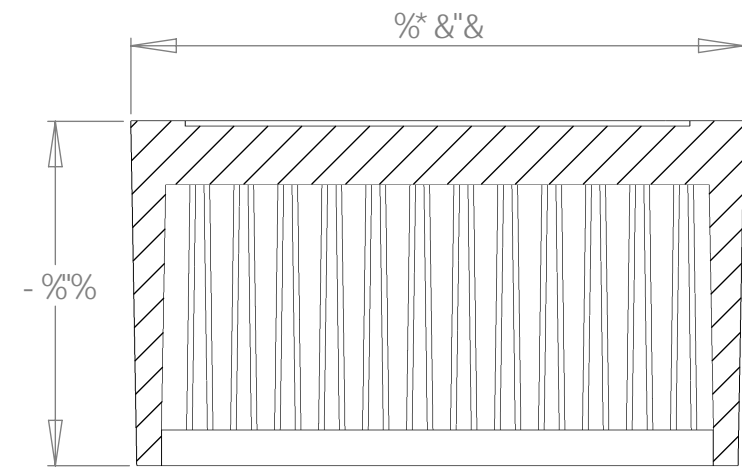


yy y 0go r q/hqco 0eqo

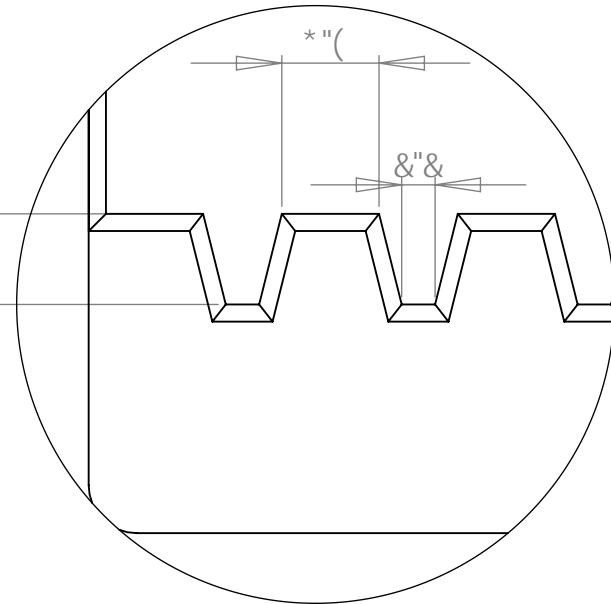
5



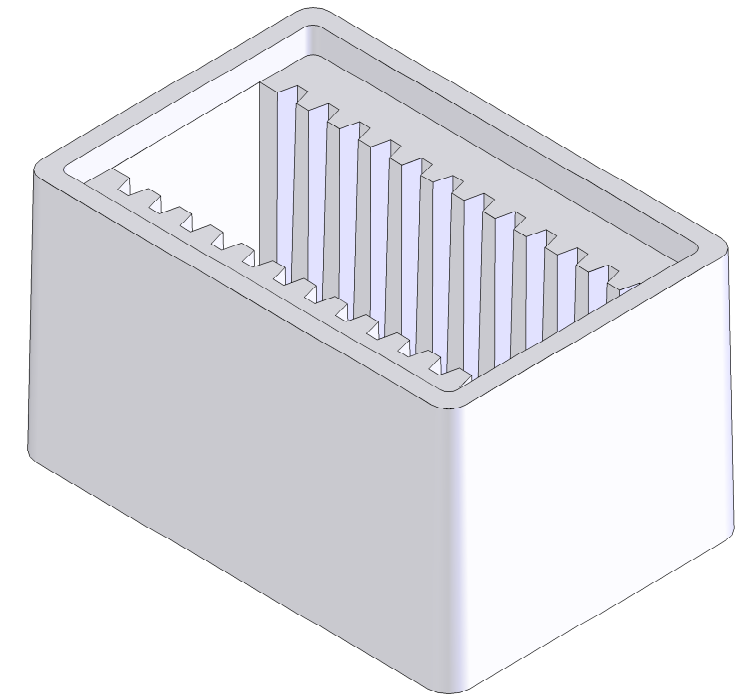
G97 H€ B '5!5



G97 H€ B '6!6



8 9H5 @7
G7 5 @9 '& . %



BchY.

%&A UHYf]U`Hc`VY`* ([#`XYbg]mif("\$`V#h L`9DG

&L`%8 Y[fYY`8 fUZhiHMD

' L`

DFC DF-95FM5B87CB: 89B H5@
H: 9 B: C FA 5HC B 7 CBH5 B98 B H-6
8F5K B: -GH: 9GC @DFC D9F HMC:
Vgo r q'Rrcule'E q0' Ipe0 5BM
F9DFC 8I 7HC B B D5FHC F 5G5 K <C @
K H: C I HH: 9K F H9B D9FA GGC B C:
Vgo r q'Rrcule'E q0' Ipe0 G
DFC < 6+98"

		I B @GGC H: 9FK @9 GD97 ± 98.		B5A 9	85H9	Vgo r q'Rrcule'E q0' Ipe0	
		8 A 9B GC BG5F9 B B7 < 9G HC @F5B7 9G : F57 HC B5 @± 5B: I @5F: A 57 < ± 69B 8 ± HK C D @57 9897 A 5 @ ± H: F99 D @57 9897 A 5 @ ±	8F5K B	> B € F	(#&- # %\$	H# @.	
		B H F D F 9H: 9C A 9H 7 HC @F5B7 B: D9F.	7 < 97 ? 98			%&G! &) * \$! 7	
		A 5H F 5 @	9B: '5DDF"			A: ; '5DDF"	
			E "5"			7 C A A 9BHG	
B 9LH5 GGM	I G98 C B	: B G<				G A 9	8 K ; "'BC "
						6	F 9J
							6
						G7 5 @9. %&	G < 99H % C : %