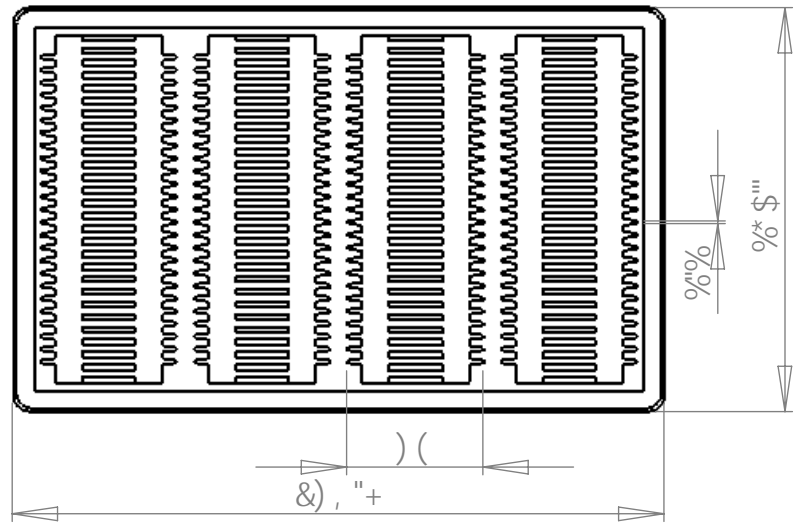
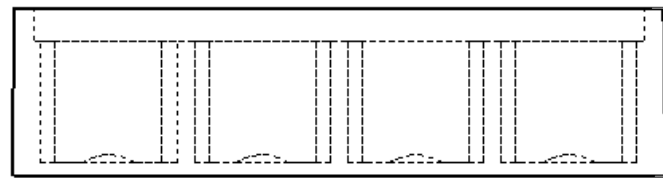


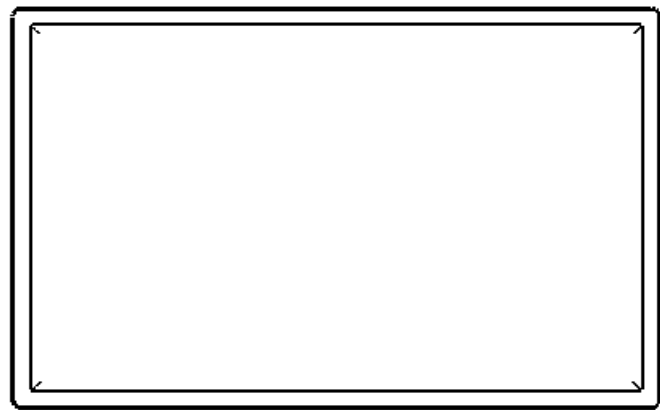
yy y 0go r q/hqco 0go



HC DJ 9K 'C : '65 G9



: FC BHJ 9K 'C : '65 G9

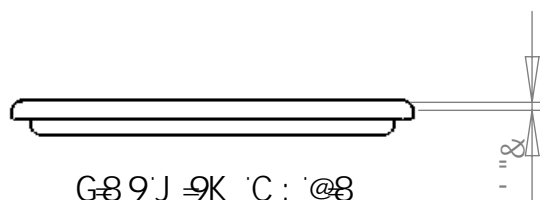
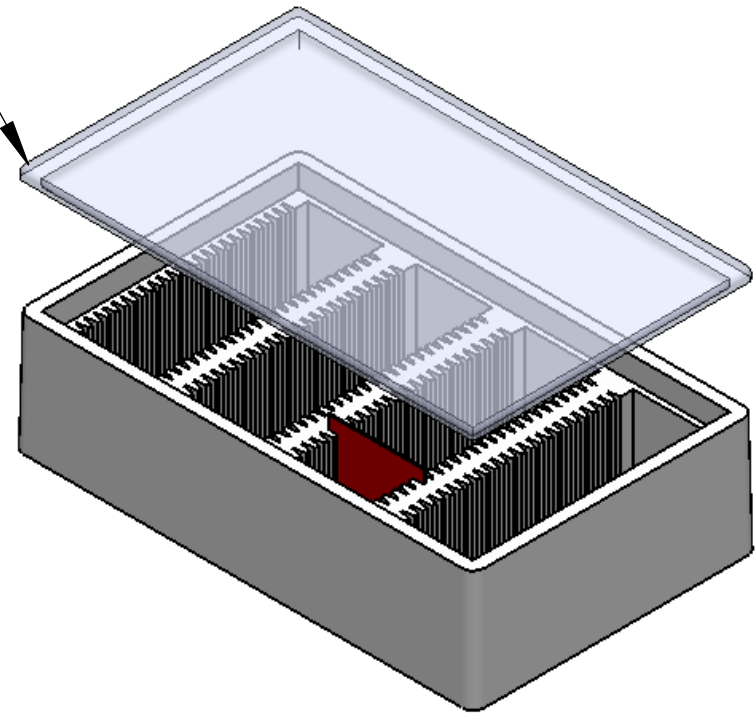


HC DJ 9K 'C : '@8

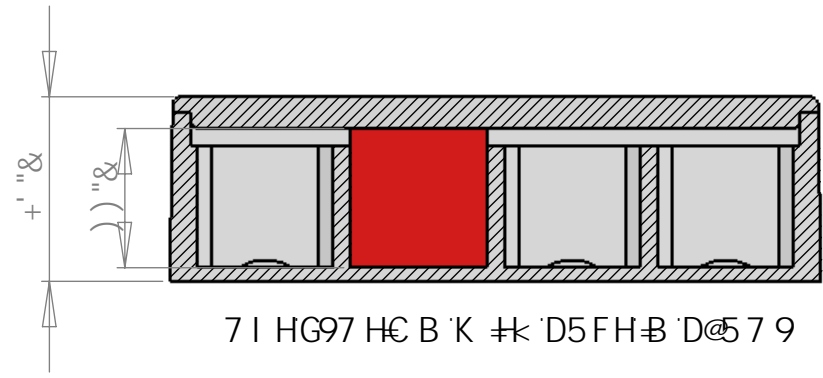


G8 9J 9K 'C : '65 G9

HF 5 BGD5 F9BH@8 'G<C K G  
G@ HG: C F '\$\$ 'D7 G"



G8 9J 9K 'C : '@8



7 I HG97 H€ B 'K #k 'D5 FH-B 'D@ 7 9

BchY.

%&'A UHYf]U`Hc`VY`\* ([ #`XYbg]hmif( "\$`V#h L'9DGž

....GhUjW8 ]gg]dUhj Y"

&L'%8Y[ fYY`8fUZhiHMD

' L'8]a Ybg]cbg`g\ck b`UfY`]b`a ]`]a YHYfg

DFC DF-945FM5B87CB: 89BH5@  
H: 9 B: C FA 5HC B 7 CBH5 B98 B H-6  
8F5K B: -GH: 9GC @DFC D9F HMC:  
Vgo r q'Rrcule'E q0'Kpe0 5BM  
F9DFC 8I 7HC B -B D5FHCF 5G5 K <C @  
K #k: C I HH: 9K F-H9B D9FA GGC B C:  
Vgo r q'Rrcule'E q0'Kpe0 G  
DFC <-6498"

		I B @GGC H: 9FK @9 QD97 ≠ 98.	B5A 9	85H9	<b>Vgo r q'Rrcule'E q0'Kpe0</b>
		8 A 9B GC BG5F9 B 'B7 < 9G HC @F5B7 9G : F57 HC B5 @± 5B: I @5F: A 57 <± .....69B 8 ± K C D@5 7 9897 -A 5@±± H: F99 D@5 7 9897 -A 5@±	8F5K B	G Yj Yb 5 Urc ffy	
		BHF DF9H: 9C A 9F 7 HC @F5B7 B: D9F.	7 < 97 ?98		%\$\$G! &\$* &
		A 5HFF 5@	9B: '5DDF"		
B 9LH5 GGM	I G98 C B	: B G<	A: : '5DDF"	E "5"	GA9 8K ; "'BC "
			7 C A A 9BHG	F 9J	
	5DD@7 5HC B	8C BC HG7 5 @8F5K B:			G7 5 @. '%'
					G< 99H% C : '%