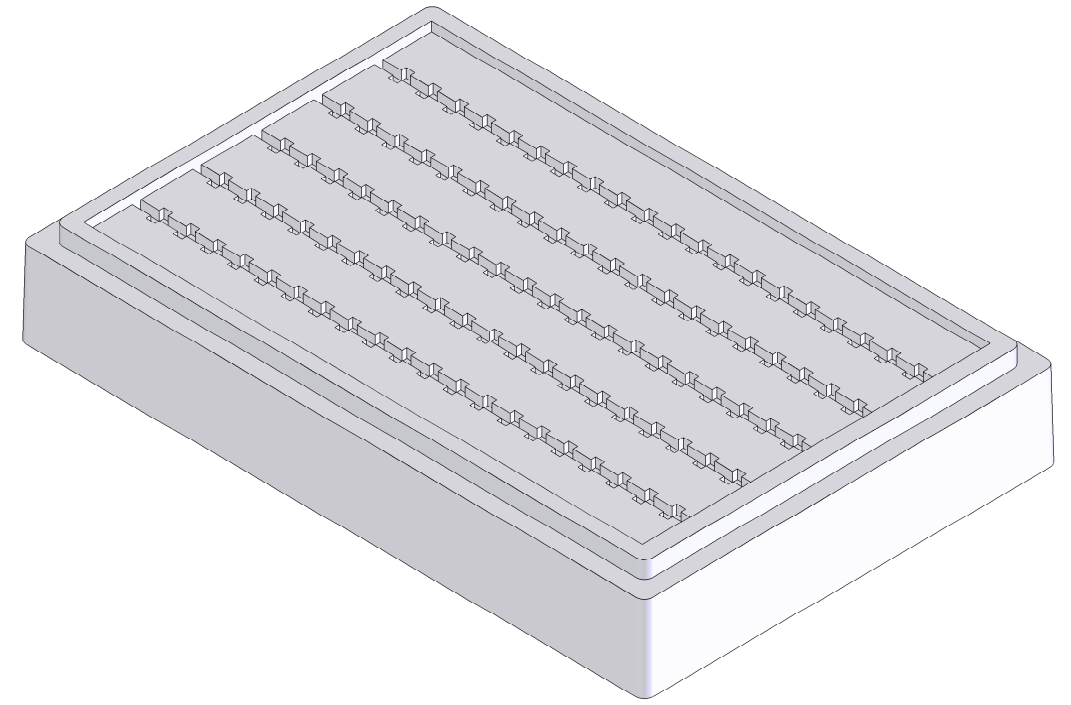
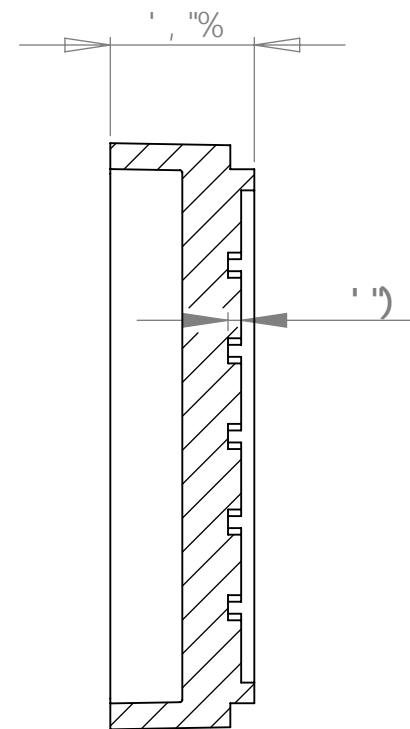
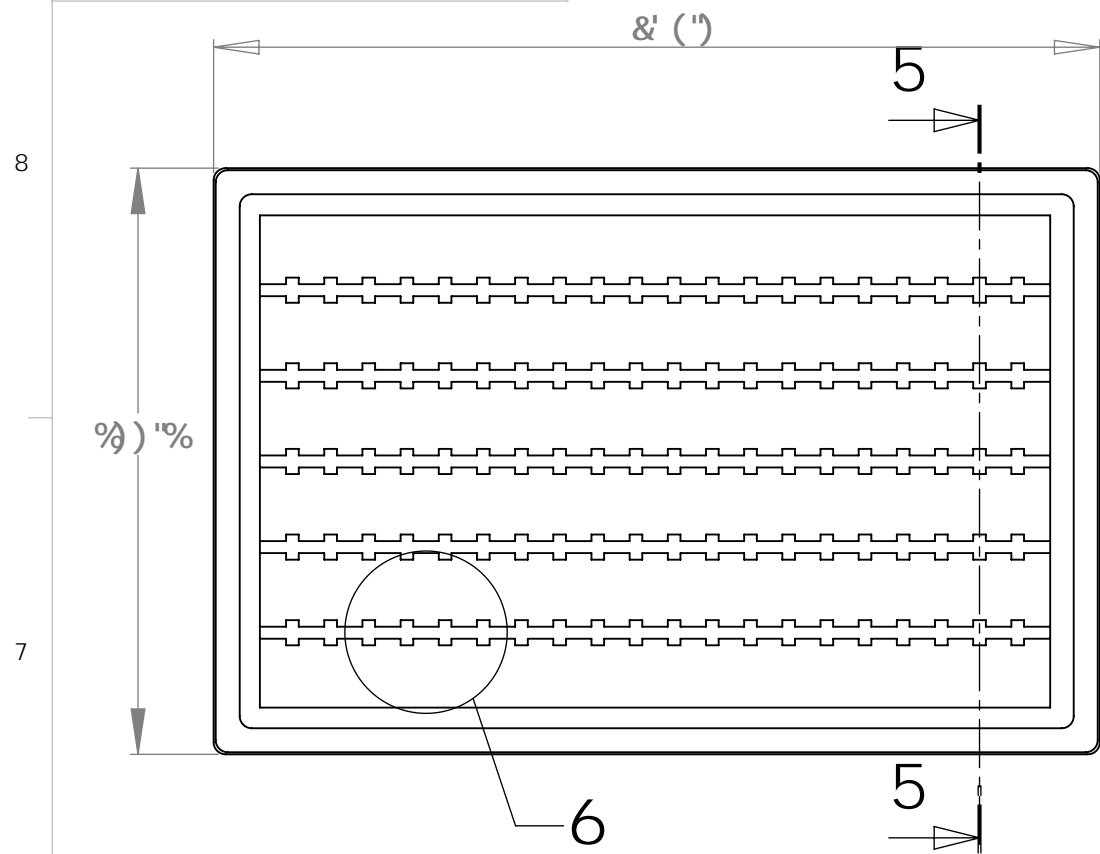
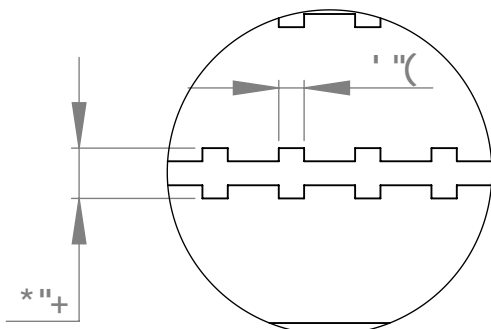


yy y 0go r q/hqco 0eqo

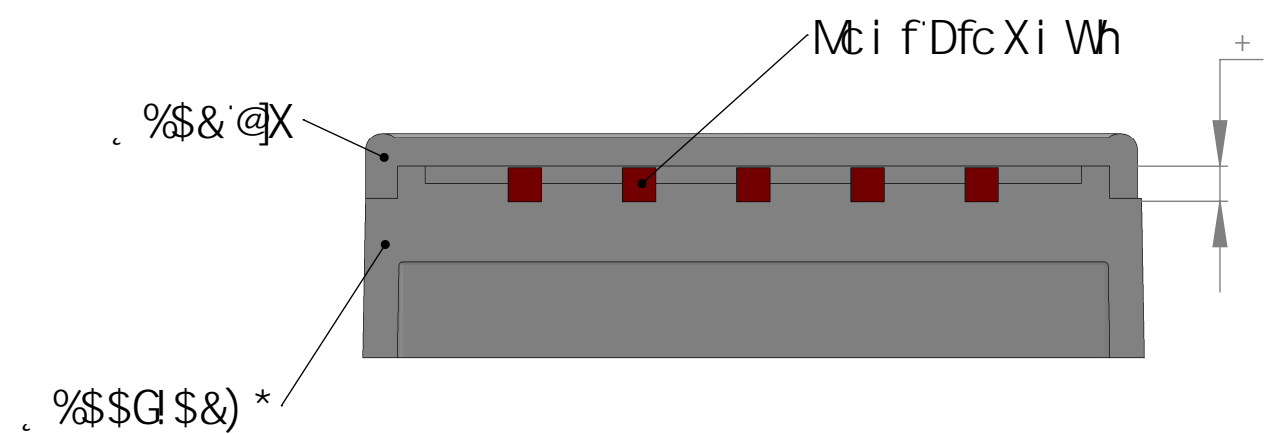


G97 HC B '5!5



8 9H5 @6  
G7 5 @9%. %

BchY.  
%&'A UHYf]U' Hc 'VY '\* ([ # 'XYbg]hmif( "\$ `V#h 1'9DG  
&L'GhUj]W/8 ]gg]dUh]j Y  
' 1'



DFC DF-5FM5B87CB: 89H5@  
H:9 B: C FA 5HC B 7 CBH5 B98 B 1K-G  
8F5K B: G H: 9GC @DFC D9F HMC:  
Vgo r q'Rrcule'E q0'kpe0 5BM  
F9DFC 8I 7HC B B D5FHCF 5G5 K <C @  
K H:C I HH: 9K F HH9B D9FA GGCB C:  
Vgo r q'Rrcule'E q0'kpe0 G  
DFC <6+98"

		I B @GGC H: 9FK @9 QD97 ± 98.		B5A 9	85H9	<b>Vgo r q'Rrcule'E q0'kpe0</b>
		8 A 9B GC BG5F9 B B7 <9G HC @F5B7 9G : F57 HC B5 @± 5B: I @5F: A 57 <± .....69B 8 ± HK C D @57 9897 A 5 @± H: F99D @57 9897 A 5 @±	8F5K B	>i b]cf	&#%\$#%\$	
		B HFD9H: 9CA 9H 7 HC @F5B7 B: D9F.	7 <97 ?98			<b>%\$\$G! \$&amp;) *</b>
		A 5H F-5 @	9B: '5DDF"			
B9LH5GGM	I G98 C B	: B G<	A: ; '5DDF"			G A9 8K ; "'BC "
			E "5"			F9J
			7 C A A 9BHG			
	5DD @7 5HC B	8C BC HG7 5 @8F5K B:				G7 5 @9. %&
						G <99H% C : %