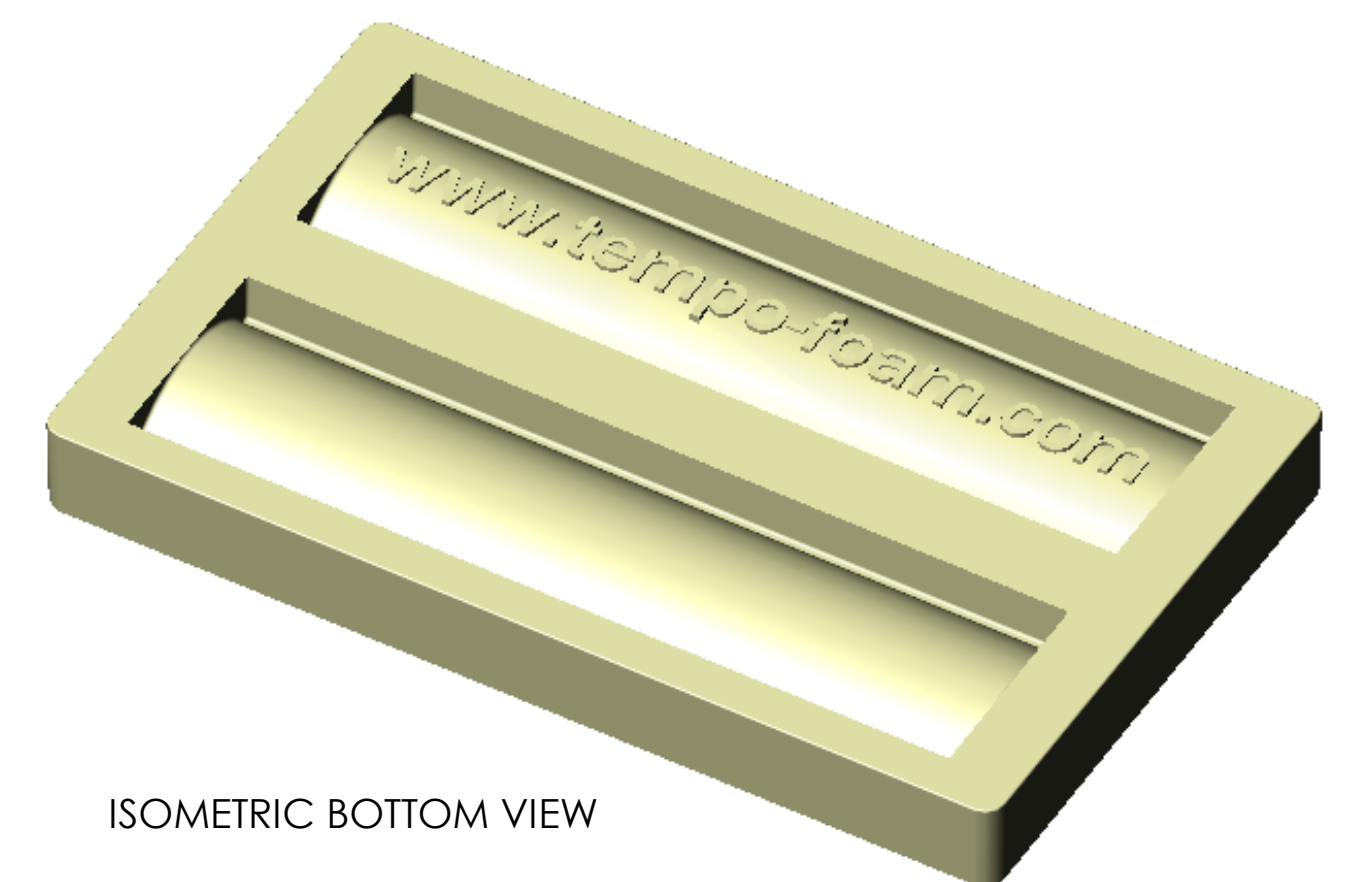
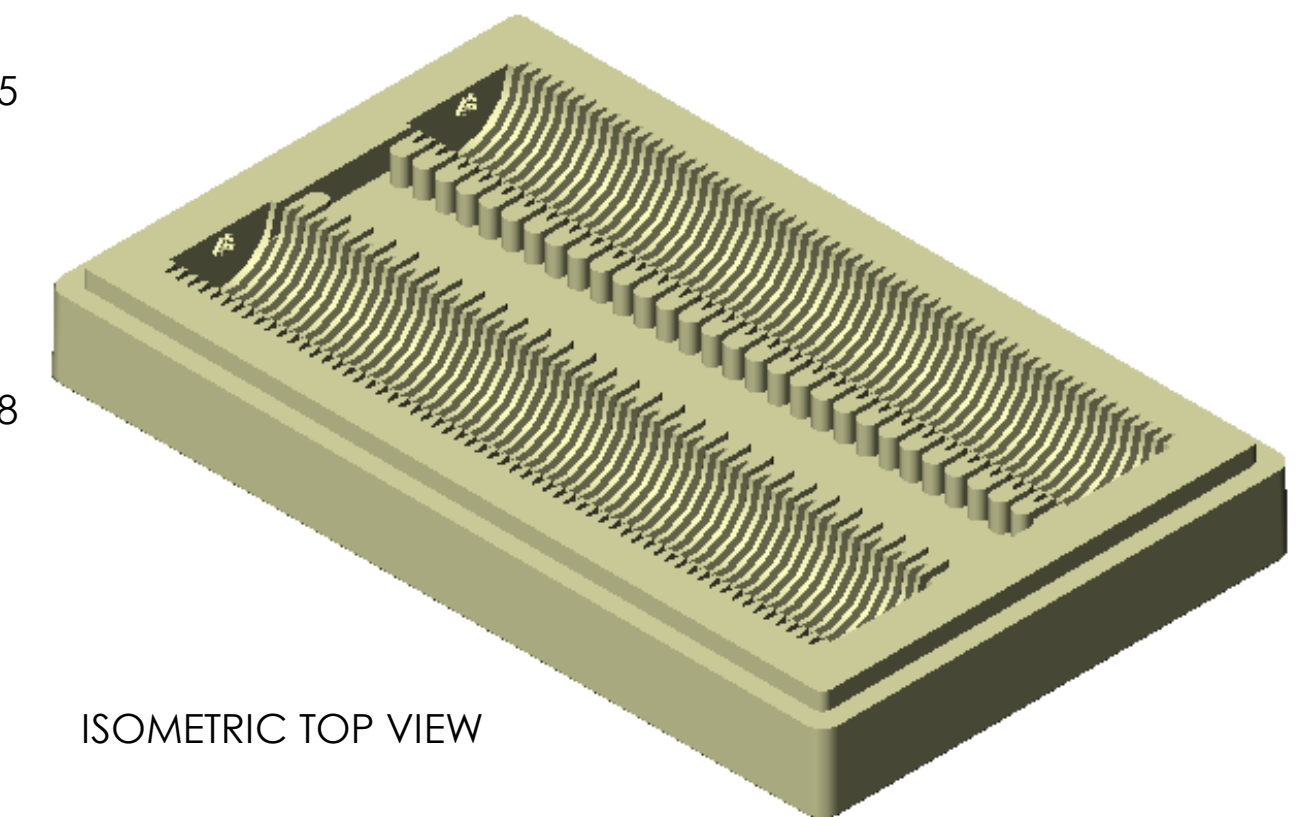


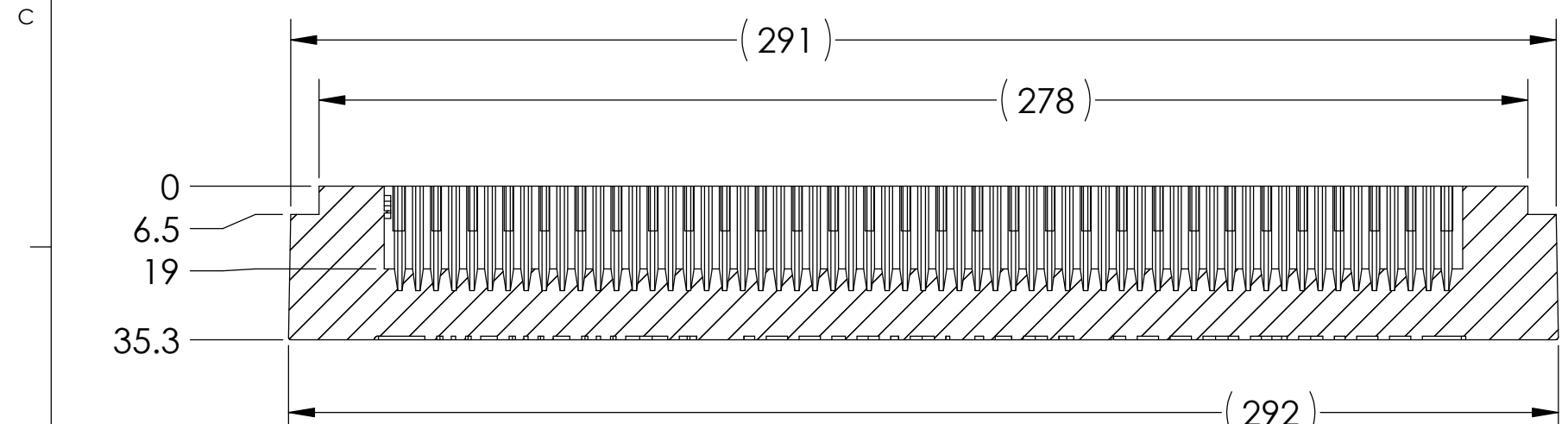
SECTION A-A
SCALE 1 : 1.5



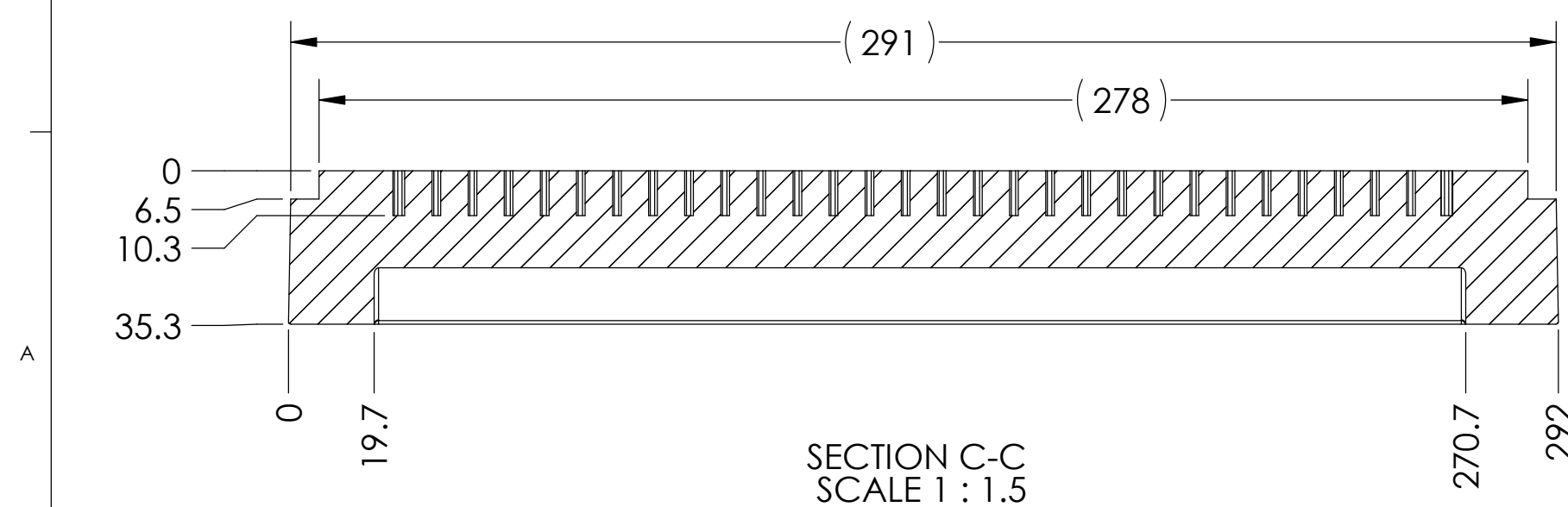
ISOMETRIC BOTTOM VIEW



ISOMETRIC TOP VIEW



SECTION B-B
SCALE 1 : 1.5



SECTION C-C
SCALE 1 : 1.5

NOTES:

- 1- MATERIAL: DRY MOLDED POLYSTYRENE, 63 gm/liter
- 2- ALL DIMENSIONS ARE IN MILLIMETERS
- 3- WEIGHT: 74.1 gm
- 4- VOLUME: 1157.2 CU CENTIMETERS

PROPRIETARY AND CONFIDENTIAL
 THE INFORMATION CONTAINED IN THIS DRAWING IS THE SOLE PROPERTY OF TEMPO PLASTIC CO., INC. ANY REPRODUCTION IN PART OR AS A WHOLE WITHOUT THE WRITTEN PERMISSION OF TEMPO PLASTIC CO., INC. IS PROHIBITED.

		UNLESS OTHERWISE SPECIFIED:		NAME	DATE	TEMPO PLASTIC CO., INC. 1227 N. MILLER PARK COURT VISALIA, CA 93291 TITLE: <h2 style="text-align: center;">48 mm CW PKG BASE</h2>
		DIMENSIONS ARE IN INCHES		DRAWN	J ELLIS 20Jan05	
		TOLERANCES:		CHECKED	DBR 20Jan05	
		FRACTIONAL ±		ENG APPR.		
		ANGULAR: MACH ± BEND ±		MFG APPR.	DBR 20Jan05	SIZE DWG. NO. REV C 012005JRE
		TWO PLACE DECIMAL ±		Q.A.		
		THREE PLACE DECIMAL ±		COMMENTS:		SCALE: 1:2 WEIGHT: SHEET 1 OF 1
		INTERPRET GEOMETRIC TOLERANCING PER:				
		MATERIAL				
		FINISH				
NEXT ASSY	USED ON	APPLICATION		DO NOT SCALE DRAWING		