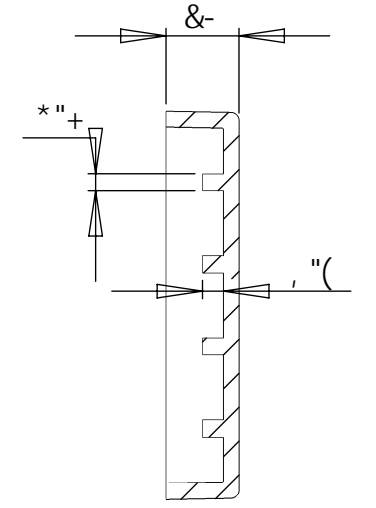
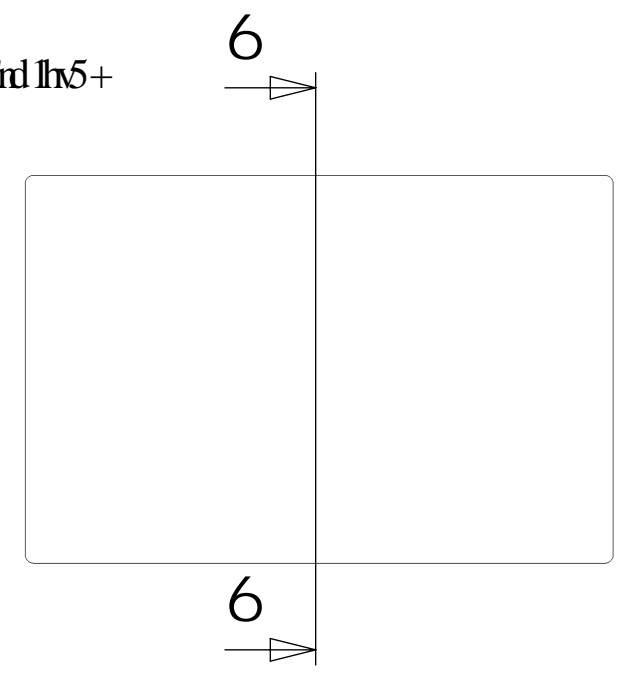
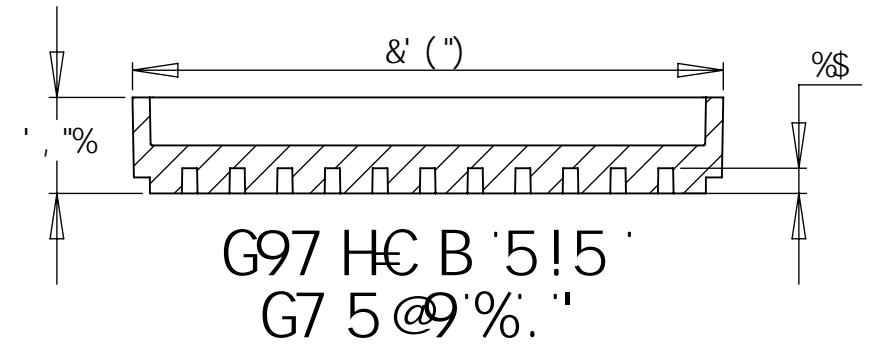
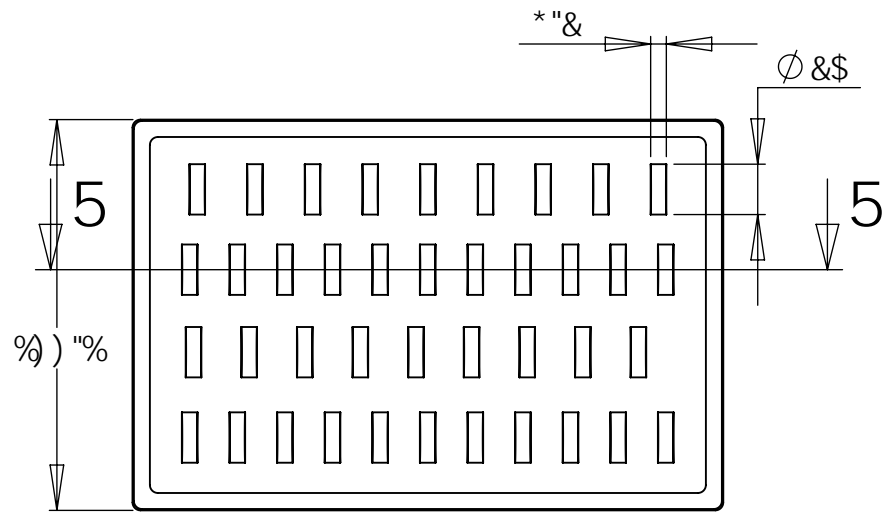
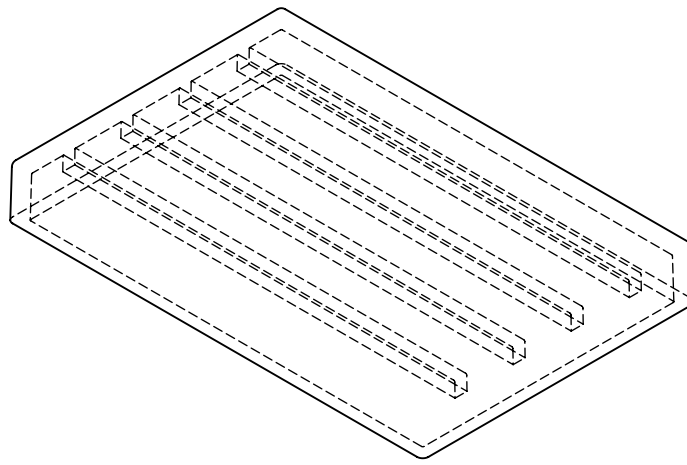


y y y 0go r q/hqco 0eqo

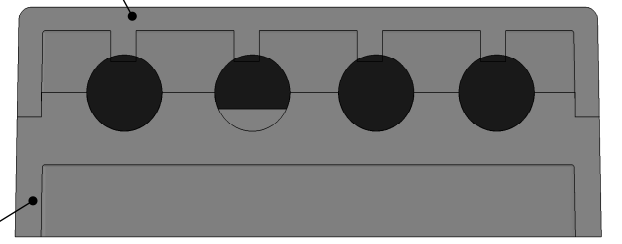
P qvg<
 3+'O cvgtken'Vq'dg'86i lhf gpuk{ '*6Q'md lhx5+
 ''''Ucvke'F kuuk cvkxg'GRUO
 4+'3'F gi tgg'F tch'V[R
 5+'''



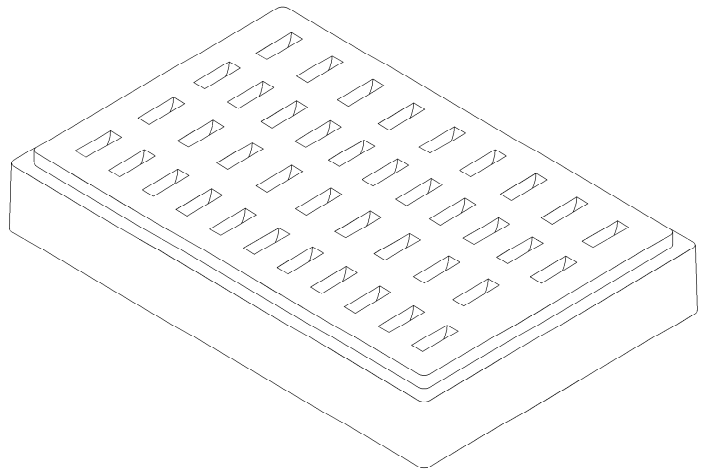
G97 HC B 6!6'
 G7 5 @9%'.



%\$& 8 @X k #fVg



62T/9: 9



DFC DF-945FM5B87CB: 89BH5@
 H: 9 B: C FA 5HC B 7 CBH5 B98 B H-6
 8F5K B: -GH: 9GC @DFC.D9F HMC:
Vgo r q'Rrcule'E q0'Kpe0 5BM
 F9DFC 8I 7HC B B D5FHCF 5G5 K <C @
 K H: C I HH: 9K F H9B D9FA GGCB C:
Vgo r q'Rrcule'E q0'Kpe0 5
 DFC < 6498"

		I B @GGC H: 9FK 69 QD97 ± 98.		B5A 9	85H9	Vgo r q'Rrcule'E q0'Kpe0		
		8 A 9B GC BG5F9 B A A HC @F5B7 9G : F57 HC B5 @± 5B: I @5F: A 57 <± 69B 8 ± HK C D @57 9897 A 5 @± H: F99D @57 9897 A 5 @±	8F5K B	LT	89B4		(\$F!+, +	
		BHFD9H: 9CA 9F 7 HC @F5B7 B: D9F.	7 <97 ?98					H# @.
		A 5HF 5 @	9B: '5DDF"					
		: B G<	A: '5DDF"					
			E "5"					
			7 CA A 9BHG					
B9LH5GGM	I 098 C B					GAD 8K ; ""BC "		
						F9J		
	5DD @7 5HC B	8C BC HG7 5 @98F5K B:				G7 5 @9. %&		
						G< 99H% C : %		