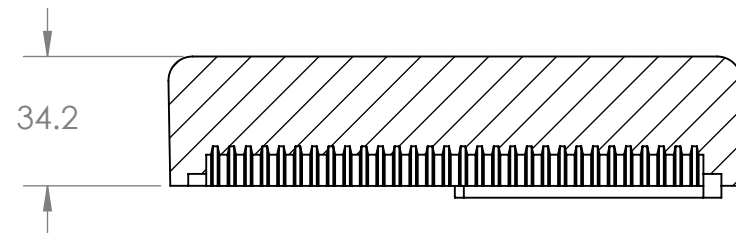
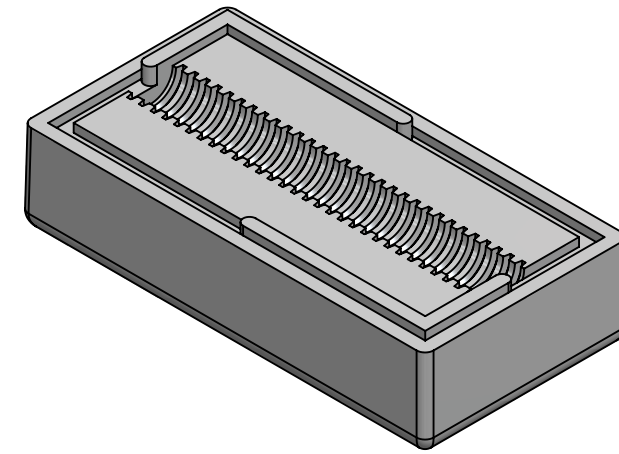
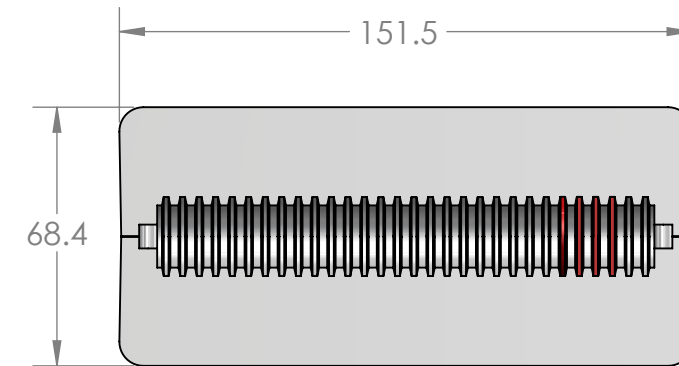


SECTION A-A  
SCALE 1 : 2



SECTION B-B  
SCALE 1 : 2



- Note:**
- 1) Material To be 64g/l density (4.0 lb/ft<sup>3</sup>) EPS, Static Dissipative
  - 2) 1 Degree Draft TYP
  - 3) Dimensions shown are in millimeters

**PROPRIETARY AND CONFIDENTIAL**  
THE INFORMATION CONTAINED IN THIS DRAWING IS THE SOLE PROPERTY OF **TEMPO PLASTIC CO., INC.** ANY REPRODUCTION IN PART OR AS A WHOLE WITHOUT THE WRITTEN PERMISSION OF **TEMPO PLASTIC CO., INC.** IS PROHIBITED.

NEXT ASSY	USED ON
APPLICATION	

UNLESS OTHERWISE SPECIFIED:

DIMENSIONS ARE IN MM  
TOLERANCES:  
FRACTIONAL ±  
ANGULAR: MACH ± BEND ±  
TWO PLACE DECIMAL ±  
THREE PLACE DECIMAL ±

INTERPRET GEOMETRIC TOLERANCING PER:

MATERIAL

FINISH

DO NOT SCALE DRAWING

	NAME	DATE
DRAWN	JR	10/13/14
CHECKED		
ENG APPR.		
MFG APPR.		
Q.A.		
COMMENTS:		

**TEMPO PLASTIC CO., INC.**

TITLE:

**30R-825**

SIZE	DWG. NO.	REV
<b>B</b>		<b>A</b>
SCALE: 1:2	WEIGHT:	SHEET 1 OF 1