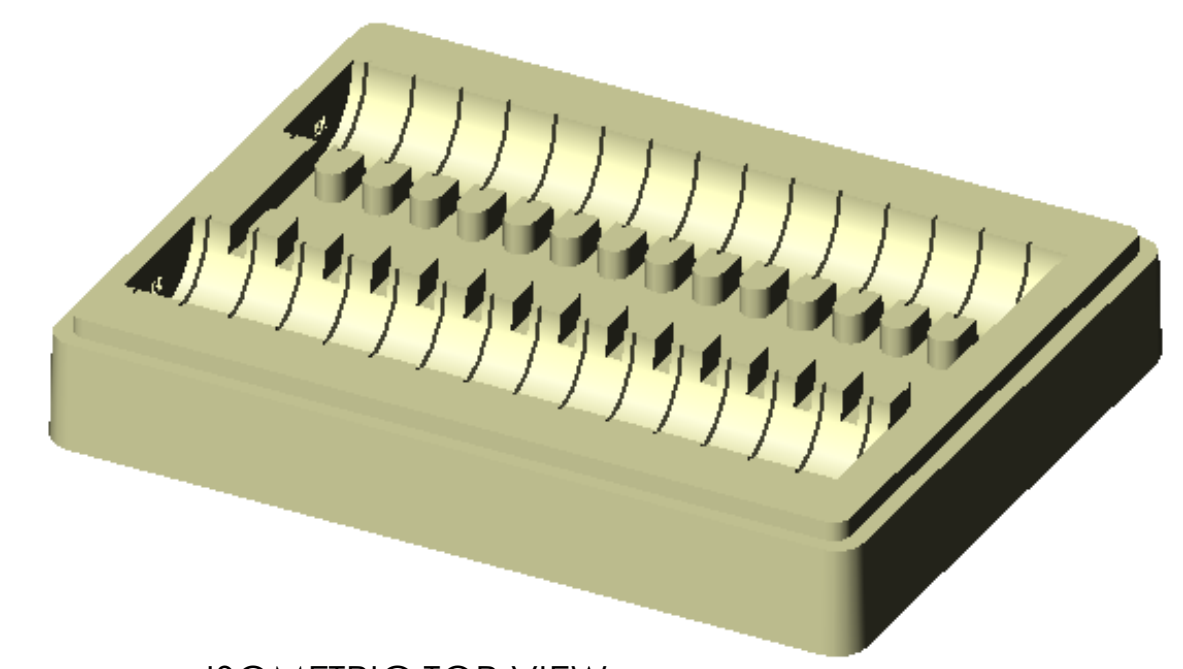
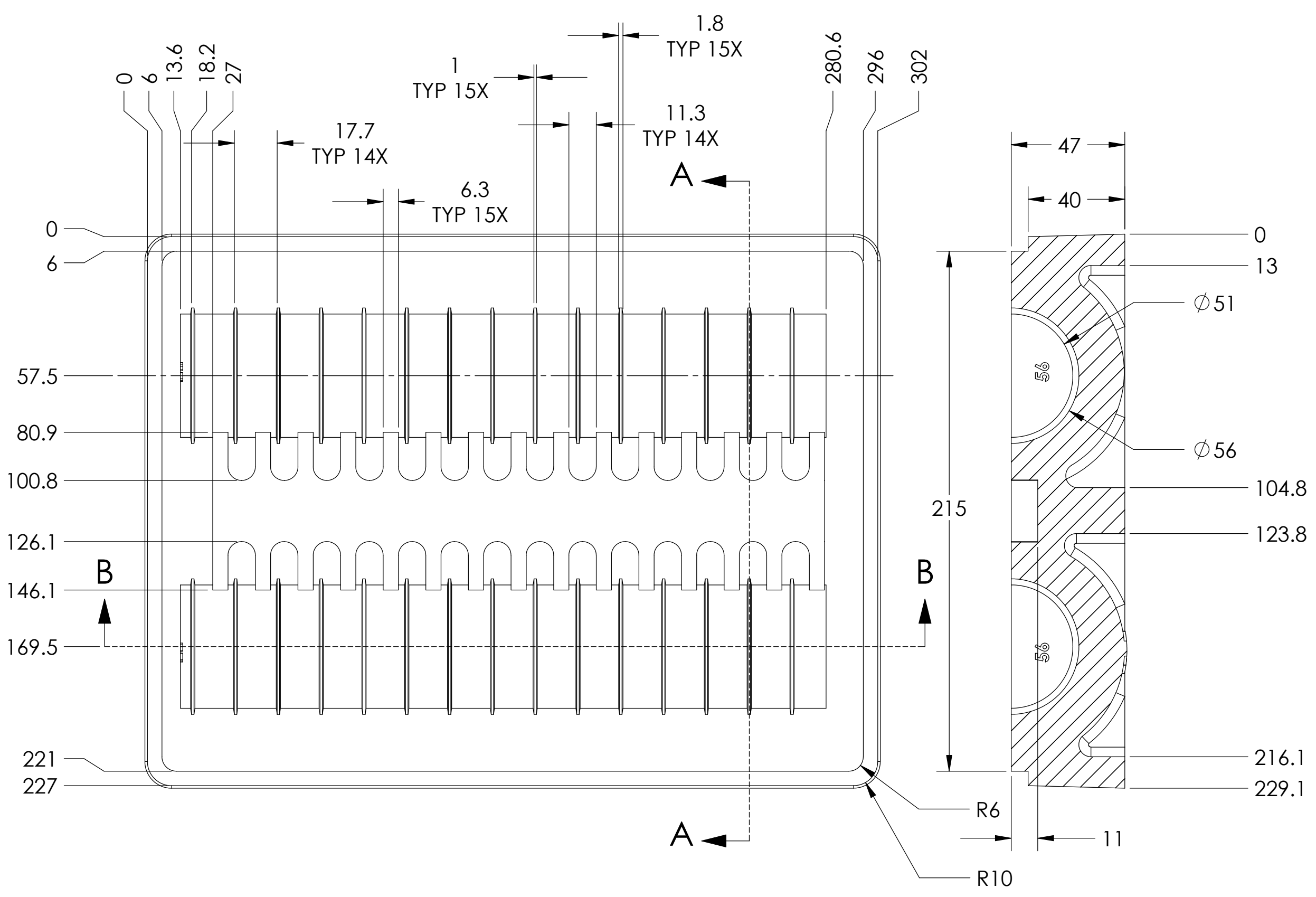


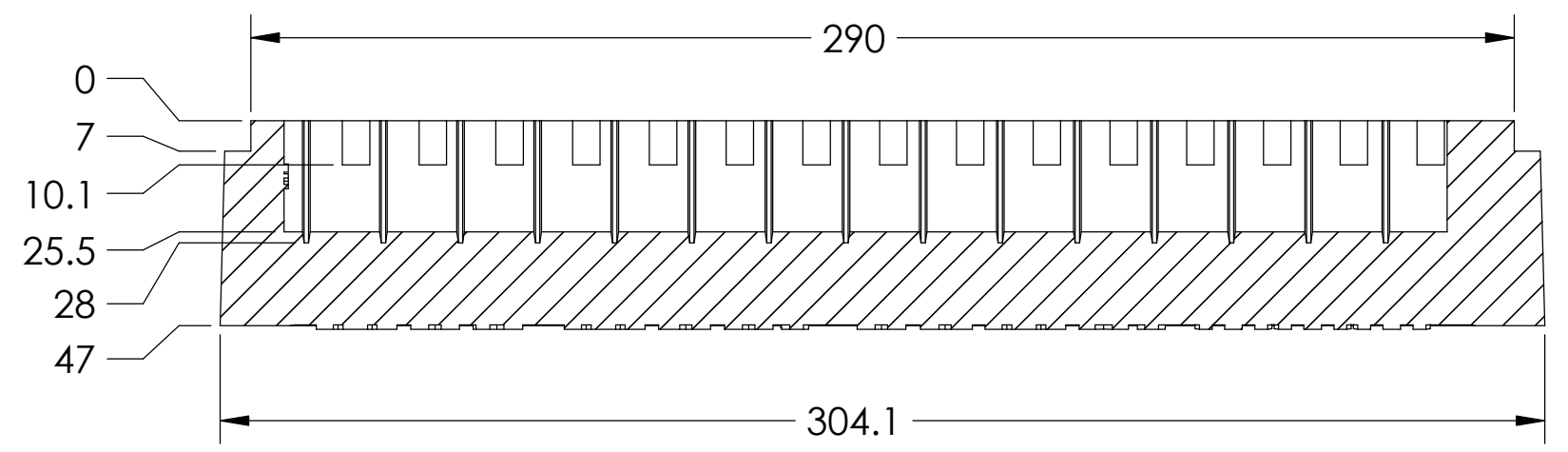
ISOMETRIC BOTTOM VIEW



ISOMETRIC TOP VIEW



SECTION A-A
SCALE 1 : 1.65



SECTION B-B
SCALE 1 : 1.65

NOTES:

- 1- MATERIAL: DRY MOLDED POLYSTYRENE, 63 gm/liter
- 2- ALL DIMENSIONS ARE IN MILLIMETERS
- 3- WEIGHT: 133.54 gm
- 4- VOLUME: 2086.54 CU CENTIMETERS

PROPRIETARY AND CONFIDENTIAL
THE INFORMATION CONTAINED IN THIS DRAWING IS THE SOLE PROPERTY OF TEMPO PLASTIC CO., INC. ANY REPRODUCTION IN PART OR AS A WHOLE WITHOUT THE WRITTEN PERMISSION OF TEMPO PLASTIC CO., INC. IS PROHIBITED.

UNLESS OTHERWISE SPECIFIED:		NAME	DATE	TEMPO PLASTIC CO., INC. 1227 N. MILLER PARK COURT VISALIA, CA 93291	
DIMENSIONS ARE IN INCHES		DRAWN	J ELLIS		15Nov04
TOLERANCES:		CHECKED	DBR		15Nov04
FRACTIONAL ±		ENG APPR.			
ANGULAR: MACH ±		MFG APPR.	DBR	15Nov04	
BEND ±		Q.A.			
TWO PLACE DECIMAL ±		COMMENTS:			
THREE PLACE DECIMAL ±					
INTERPRET GEOMETRIC TOLERANCING PER:					
MATERIAL					
FINISH					
NEXT ASSY	USED ON				
APPLICATION	DO NOT SCALE DRAWING				
TITLE:			56 mm CW PKG BASE		
SIZE	DWG. NO.	REV			
C	111504JRE				
SCALE: 1:2	WEIGHT:	SHEET 1 OF 1			