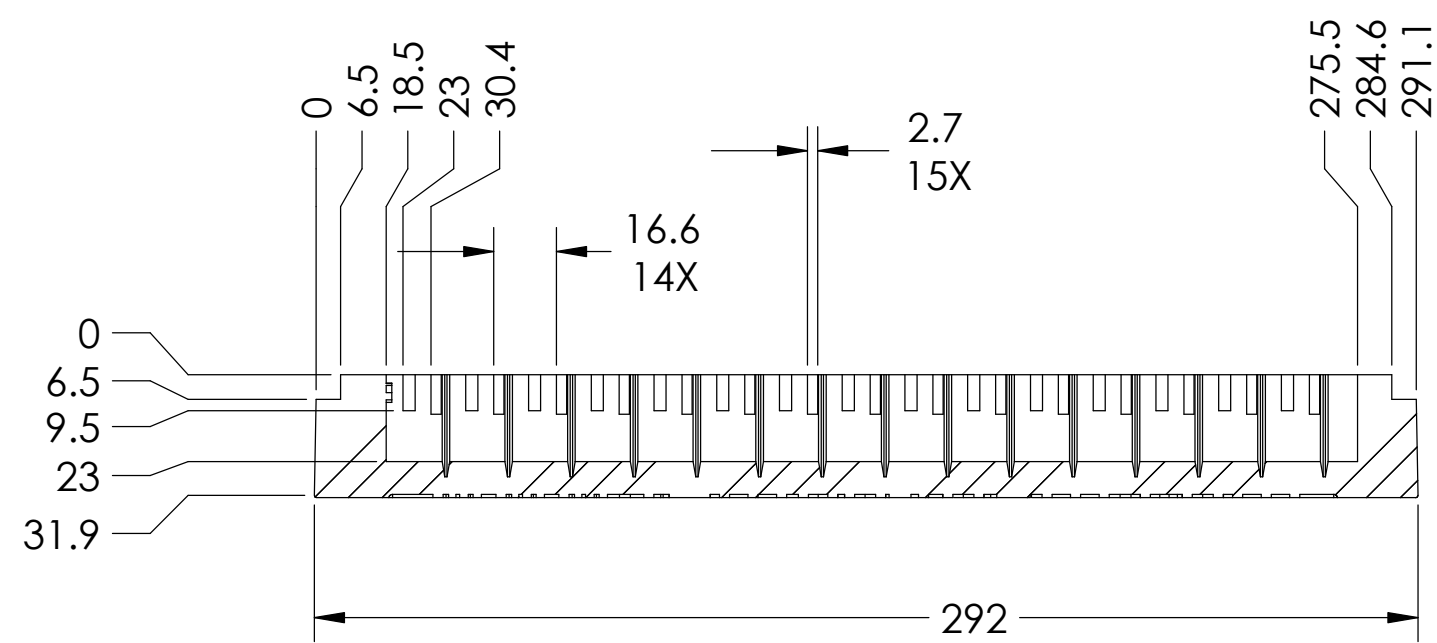
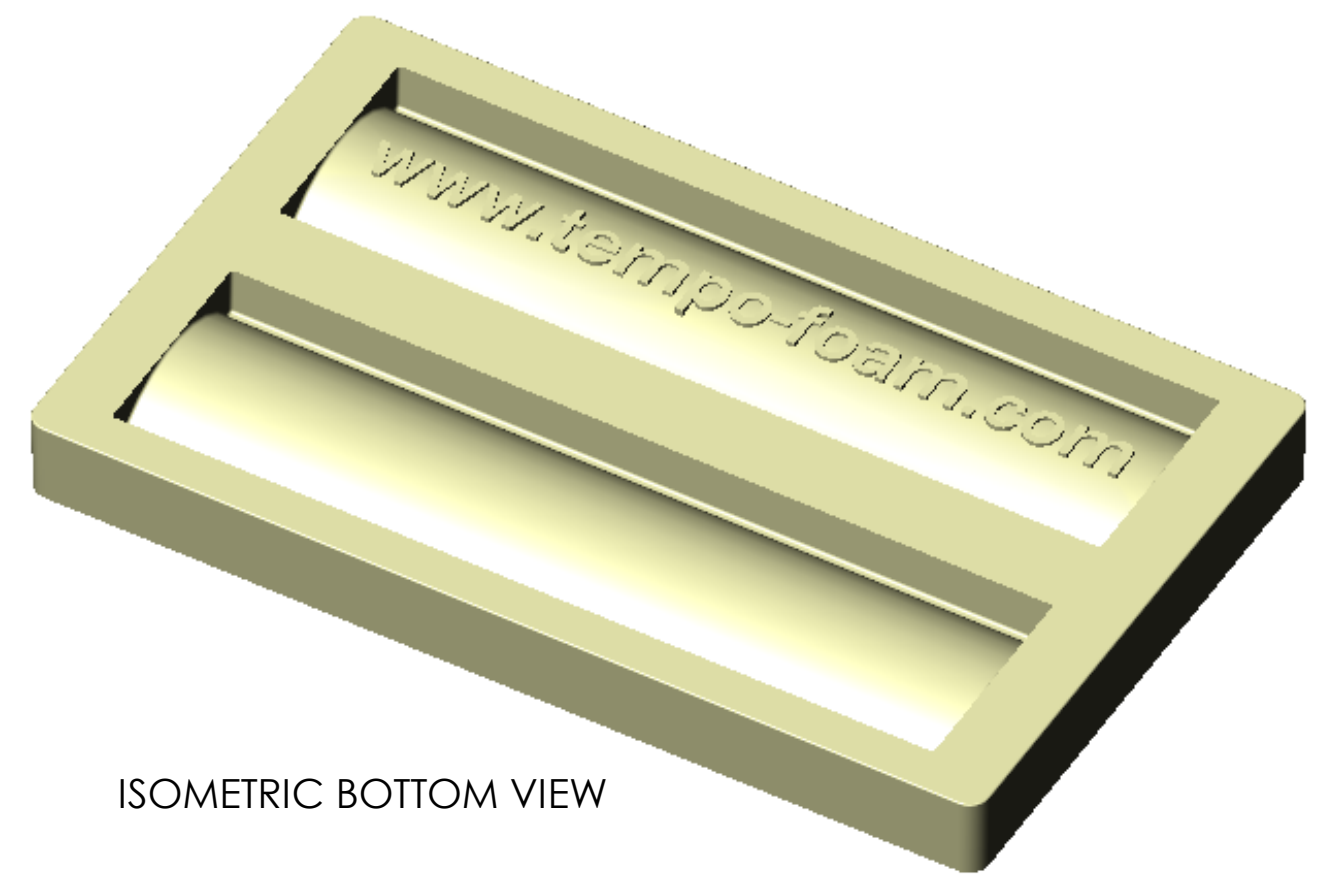


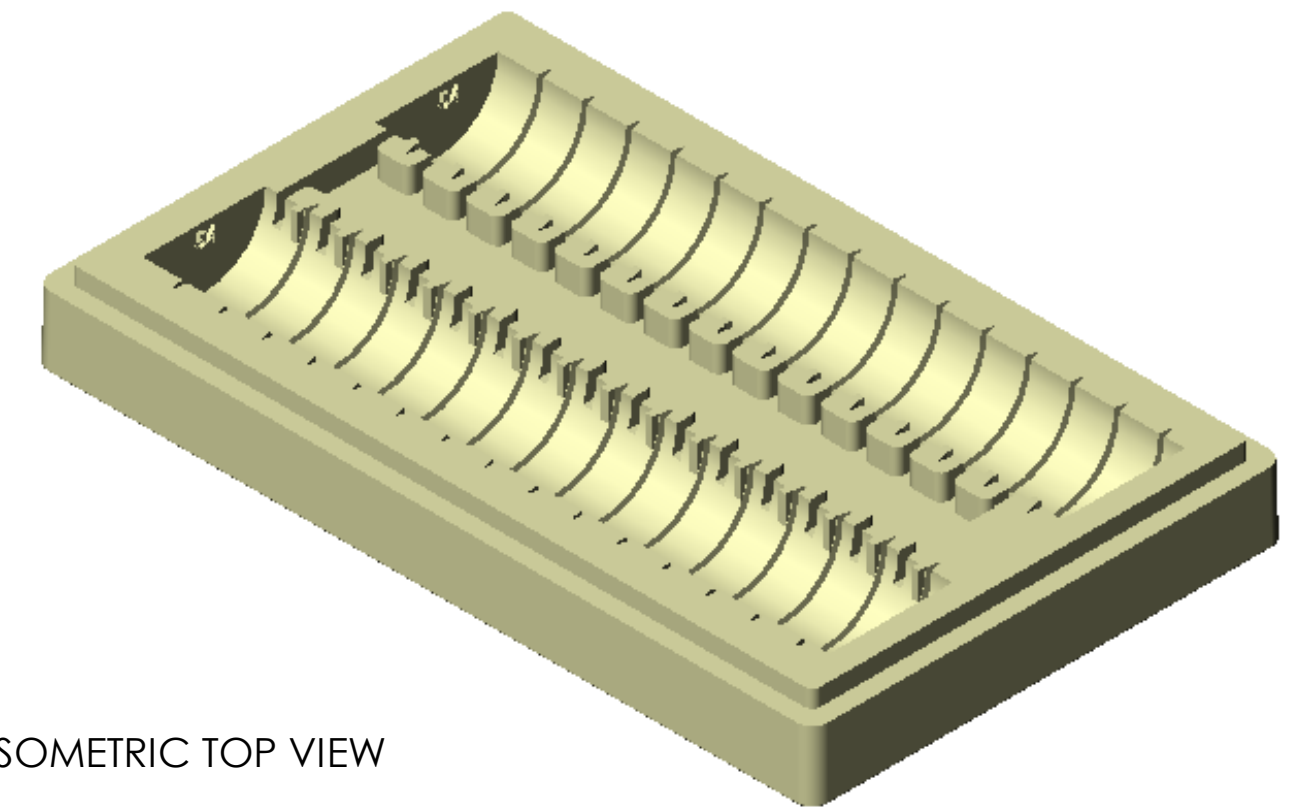
SECTION A-A



SECTION C-C



ISOMETRIC BOTTOM VIEW



ISOMETRIC TOP VIEW

NOTES:

- 1- MATERIAL: DRY MOLDED POLYSTYRENE, 63 gm/liter
- 2- ALL DIMENSIONS ARE IN MILLIMETERS
- 3- WEIGHT: 74.5 gm
- 4- VOLUME: 1164.8 CU CENTIMETERS

PROPRIETARY AND CONFIDENTIAL
 THE INFORMATION CONTAINED IN THIS DRAWING IS THE SOLE PROPERTY OF TEMPO PLASTIC CO., INC. ANY REPRODUCTION IN PART OR AS A WHOLE WITHOUT THE WRITTEN PERMISSION OF TEMPO PLASTIC CO., INC. IS PROHIBITED.

UNLESS OTHERWISE SPECIFIED:		NAME	DATE	TEMPO PLASTIC CO., INC. 1227 N. MILLER PARK COURT VISALIA, CA 93291 TITLE: <h2 style="text-align: center;">54mm CW PKG BASE</h2>
DIMENSIONS ARE IN INCHES		DRAWN	J ELLIS 07Jan05	
TOLERANCES:		CHECKED	DBR 07Jan05	
FRACTIONAL ± ANGULAR: MACH ± BEND ± TWO PLACE DECIMAL ± THREE PLACE DECIMAL ±		ENG APPR.		
INTERPRET GEOMETRIC TOLERANCING PER:		MFG APPR.	DBR 07Jan05	Q.A. COMMENTS:
MATERIAL				
NEXT ASSY	USED ON	FINISH		
APPLICATION		DO NOT SCALE DRAWING		SIZE DWG. NO. REV C 010705JRE SCALE: 1:2 WEIGHT: SHEET 1 OF 1