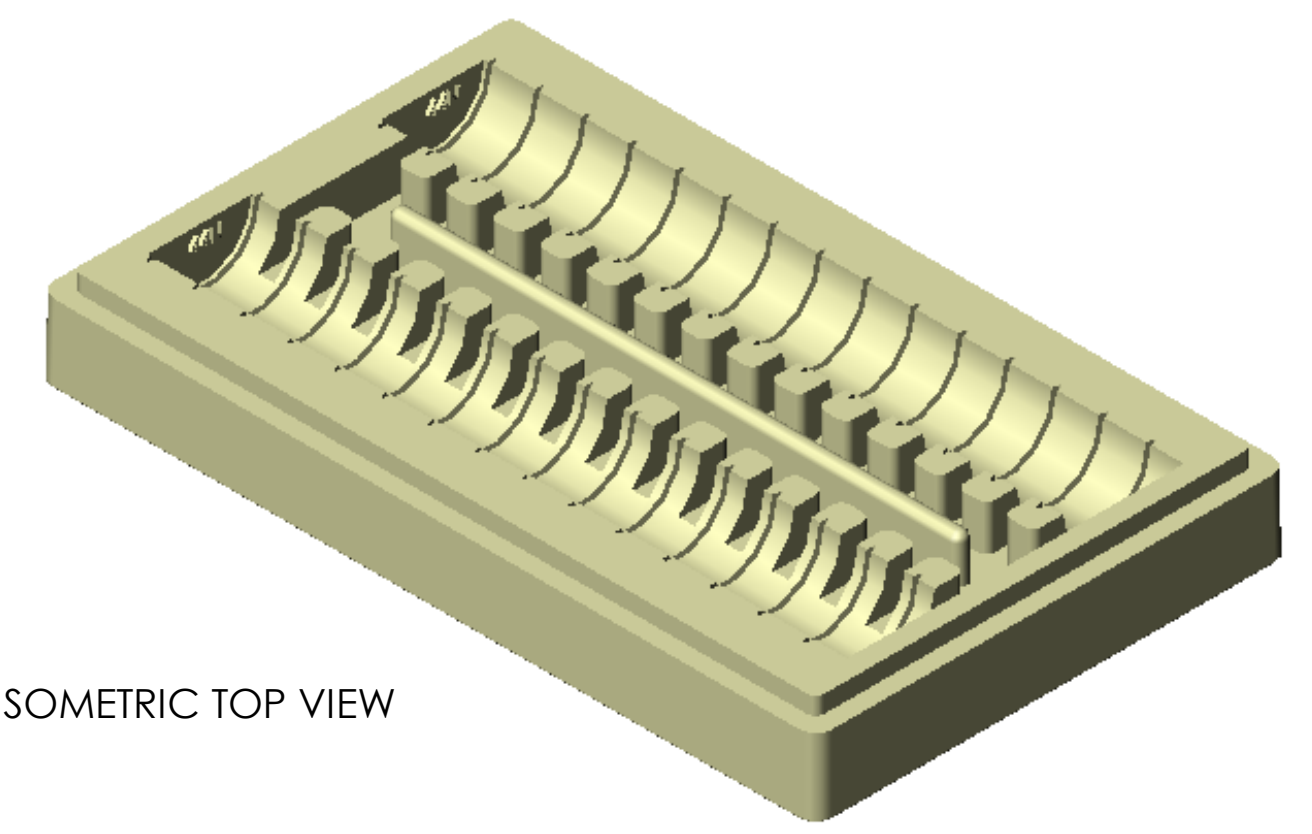


ISOMETRIC BOTTOM VIEW



ISOMETRIC TOP VIEW

NOTES:

- 1- MATERIAL: DRY MOLDED POLYSTYRENE, 63 gm/liter
- 2- ALL DIMENSIONS ARE IN MILLIMETERS
- 3- WEIGHT: 72.7 gm
- 4- VOLUME: 1135.7 CU CENTIMETERS

**PROPRIETARY AND CONFIDENTIAL**  
 THE INFORMATION CONTAINED IN THIS DRAWING IS THE SOLE PROPERTY OF TEMPO PLASTIC CO., INC. ANY REPRODUCTION IN PART OR AS A WHOLE WITHOUT THE WRITTEN PERMISSION OF TEMPO PLASTIC CO., INC. IS PROHIBITED.

		UNLESS OTHERWISE SPECIFIED:		NAME	DATE	TEMPO PLASTIC CO., INC. 1227 N. MILLER PARK COURT VISALIA, CA 93291	
		DIMENSIONS ARE IN INCHES		DRAWN	J ELLIS	08Jan05	TITLE: <b>44N mm CW PKG BASE</b>
		TOLERANCES:		CHECKED	DBR	08Jan05	
		FRACTIONAL ±		ENG APPR.			
		ANGULAR: MAACH ± BEND ±		MFG APPR.	DBR	08Jan05	
		TWO PLACE DECIMAL ±		Q.A.			SIZE DWG. NO. REV <b>C 010805JRE</b>
		THREE PLACE DECIMAL ±		COMMENTS:			
		INTERPRET GEOMETRIC TOLERANCING PER:					
		MATERIAL					
		FINISH					
NEXT ASSY	USED ON	APPLICATION		DO NOT SCALE DRAWING			
				SCALE: 1:2		WEIGHT:	SHEET 1 OF 1