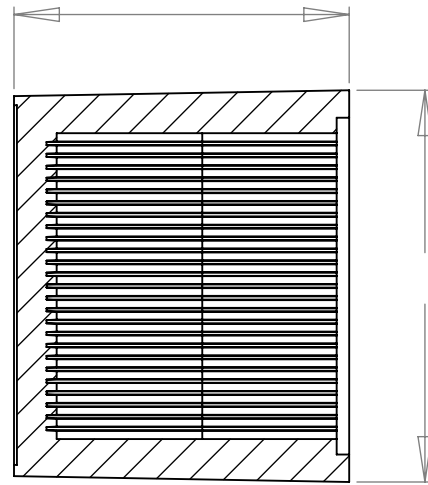
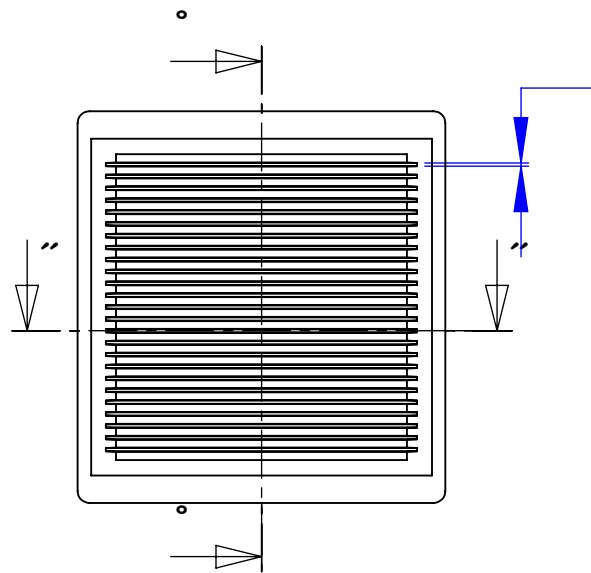
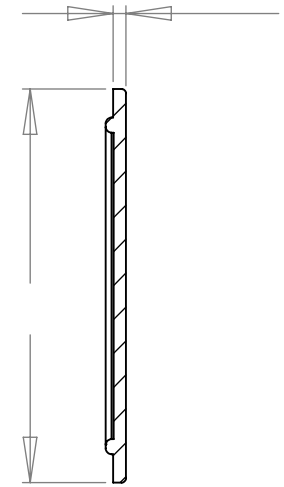
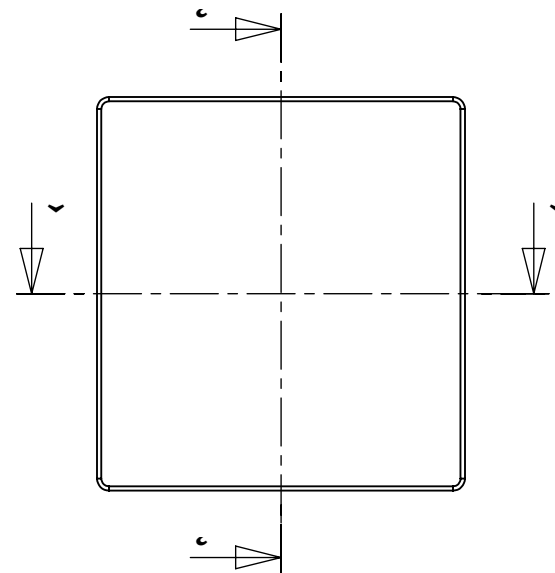


y y y 0go r q/hqco 0eqo

8



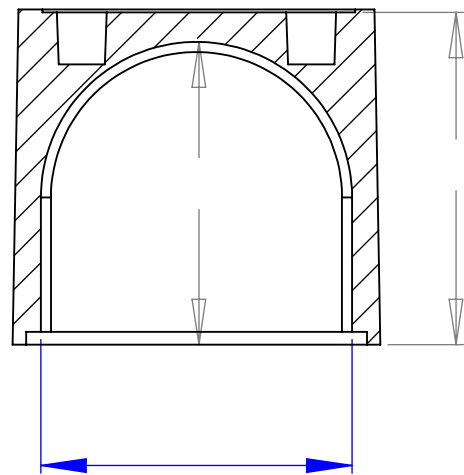
' 1 (I# " . . .  
' ž1 . . .



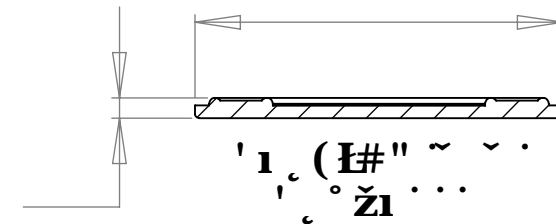
' 1 (I# " . . .  
' ž1 . . .

7

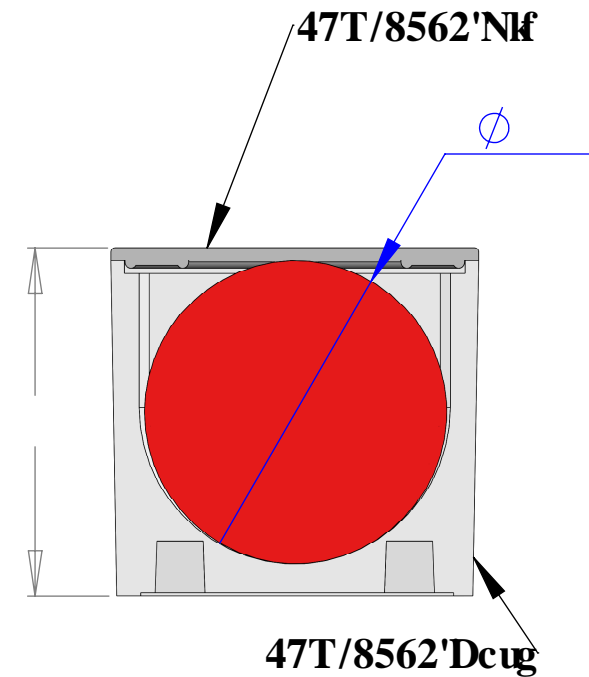
6



' 1 (I# " . . .  
' ž1 . . .



' 1 (I# " . . .  
' ž1 . . .



5

DFC D 5 5 F M 5 B 8 7 C B : 8 9 B H 5 @  
 H: 9 B: C F A 5 H C B 7 C B H 5 B 9 8 B H 6  
 8 F 5 K B: G H: 9 G C @ D F C D 9 F H M C:  
**H 9 A D C D 5 G H 7 7 C Z B 7 " 5 B M**  
 F 9 D F C 8 I 7 H C B B D 5 F H C F 5 G 5 K < C @  
 K H: C I H H: 9 K F H 9 B D 9 F A G G C B C:  
**H 9 A D C D 5 G H 7 7 C Z B 7 " 6**  
 D F C < 6 + 9 8 "

		I B @ G G C H: 9 F K @ 9 Q D 9 7 ± 9 8 .	B 5 A 9	8 5 H 9	<b>H 9 A D C D 5 G H 7 7 C Z B 7 "</b>	
		8 A 9 B G C B G 5 F 9 B A A H C @ F 5 B 7 9 G : F 5 7 H C B 5 @ ± 5 B: I @ 5 F: A 5 7 < ± ..... 6 9 8 8 ± H K C D @ 5 7 9 8 9 7 A 5 @ ± H: F 9 9 D @ 5 7 9 8 9 7 A 5 @ ±	8 F 5 K B	> I B € F	% @ # & , # 9 %	H H @ . <b>47T/8562</b> <b>Dcug' ( 'NK</b>
		8 H H F D F 9 H: 9 C A 9 H 7 H C @ F 5 B 7 B: D 9 F . A 5 H H F 5 @	7 < 9 7 ? 9 8			
			9 B: ' 5 D D F "			
			A: ; ' 5 D D F "			
			E " 5 "			
			7 C A A 9 B H G			
B 9 L H 5 G G M	I 0 9 8 C B	: B G <			G A 9 8 K ; " " B C "	
					F 9 J	
					<b>6</b>	
					<b>5</b>	
					G 7 5 @ 9 . % (	
					G < 9 9 H % C : %	