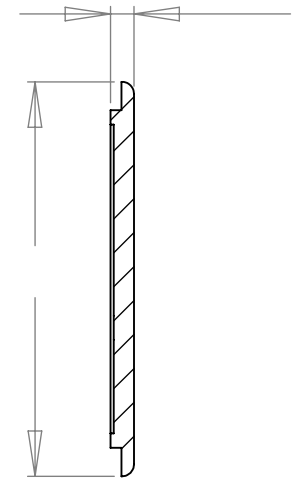
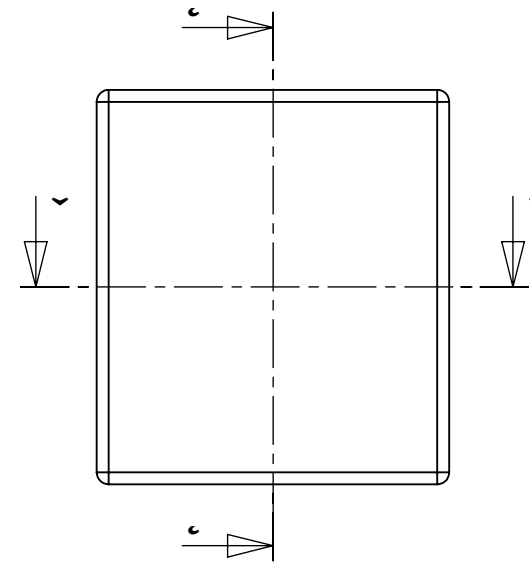
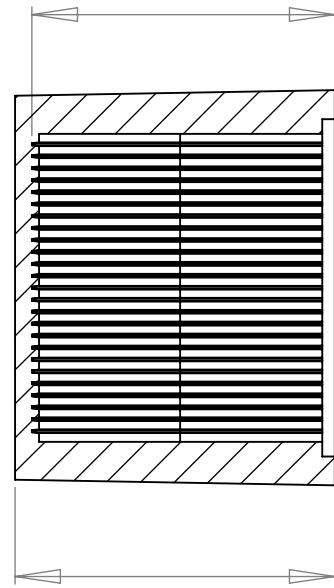
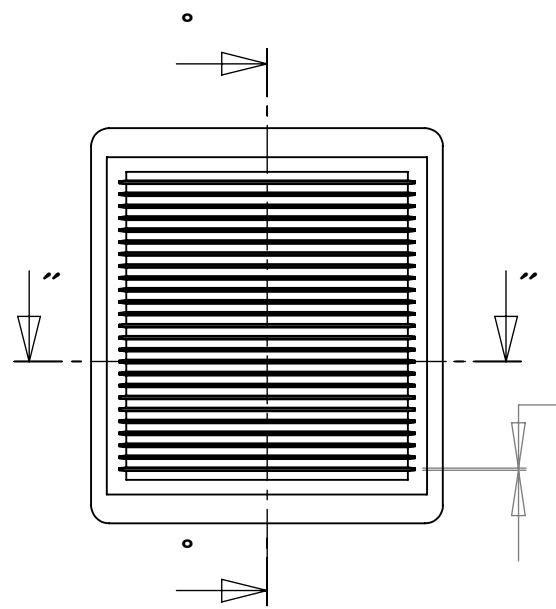
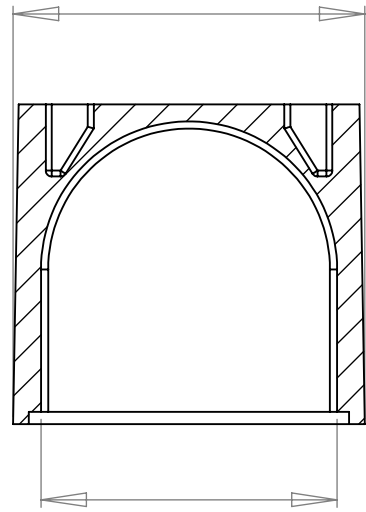


y y y 0go r q/hqco 0eqo



'1, (E#" ...  
Ž1 ...

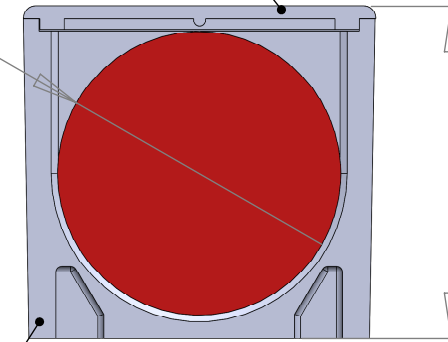
'1, (E#" ...  
Ž1 ...



'1, (E#" ...  
Ž1 ...

47T/7; 67'Nkf

47T/7; 67'Dcug



DFC DF-945FM5B87CB: 89BH5@  
H: 9 B: C FA 5HC B 7 CBH5 B98 B H-6  
8F5K B: -GH: 9GC @DFC D9F HMC:  
H9A DC D@5GH7 7Cž-B7" 5BM  
F9DFC 8I 7HC B B D5FHC F 5G5 K <C @  
K H: C I HH: 9K F H9B D9FA GGC B C:  
H9A DC D@5GH7 7Cž-B7" G  
DFC <6498"

		I B @GGC H: 9FK @9GD97 ±98.		B5A 9	85H9	H9A DC D@5GH7 7Cž-B7"
		8 A 9B GC BG5F9 B A A	8F5K B	>I B €F	%@# \$#9%	H# @.
		HC @F5B7 9G	7 <97 ?98			<b>47T/7; 67</b>
		: F57 HC B5 @±	9B: '5DDF"			<b>Dcug'(' Nkf</b>
		5B: I @5F: A 57 <± ..... 69B 8 ±	A:; '5DDF"			
		HK C D@5 7 9897 A 5 @±	E "5"			
		H: F99D @5 7 9897 A 5 @±	7 C A A 9BHG			
		BHFD9H: 9C A 9F 7				
		HC @F5B7 B: D9F.				
		A 5HFF 5@				
		: B G<				
B9LH5GGM	I 098 C B					GAP 8K ; ""BC "
						F9J
						<b>6</b>
						<b>5</b>
						G7 5 @. %)
						G<99H% C : %