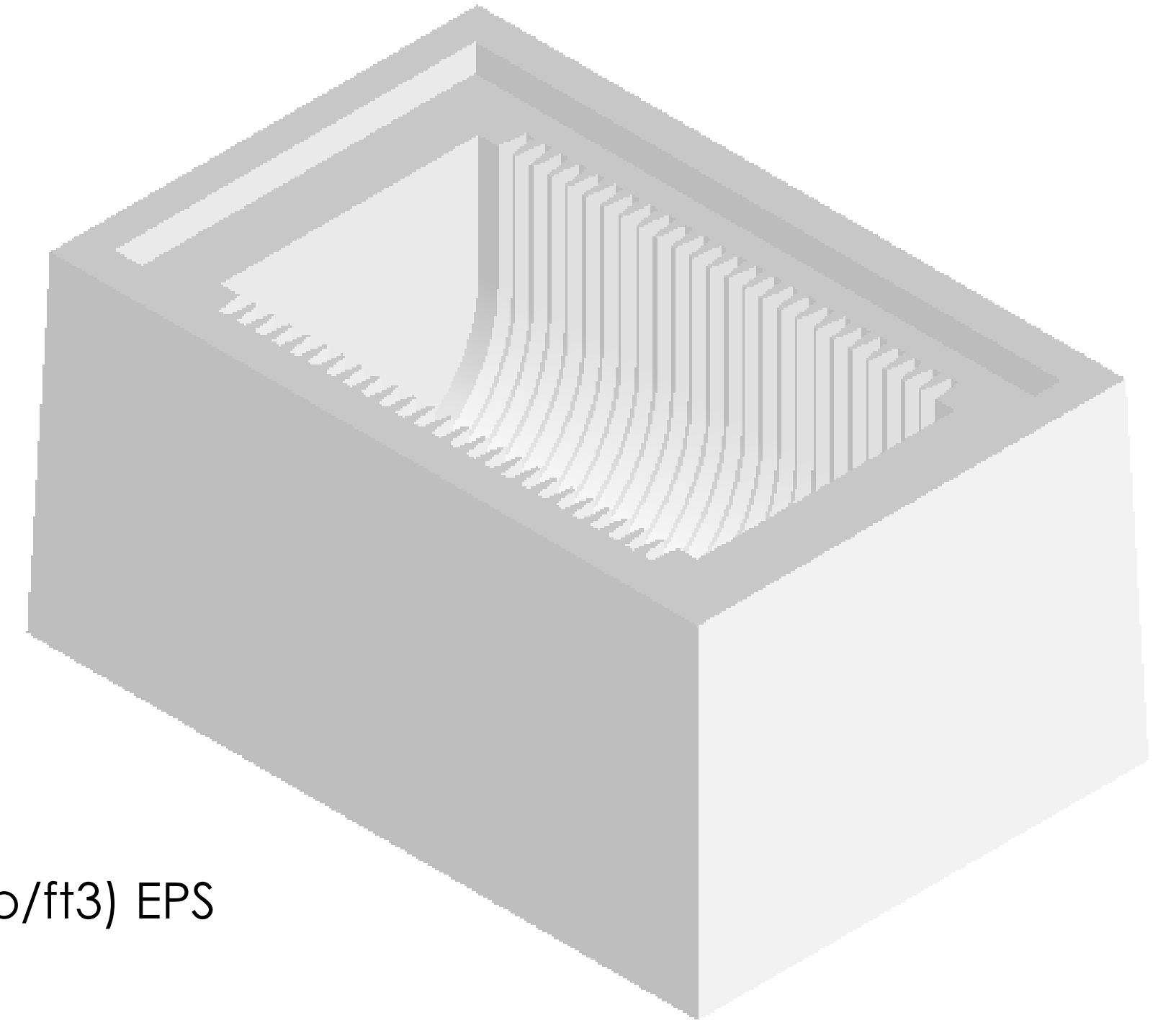
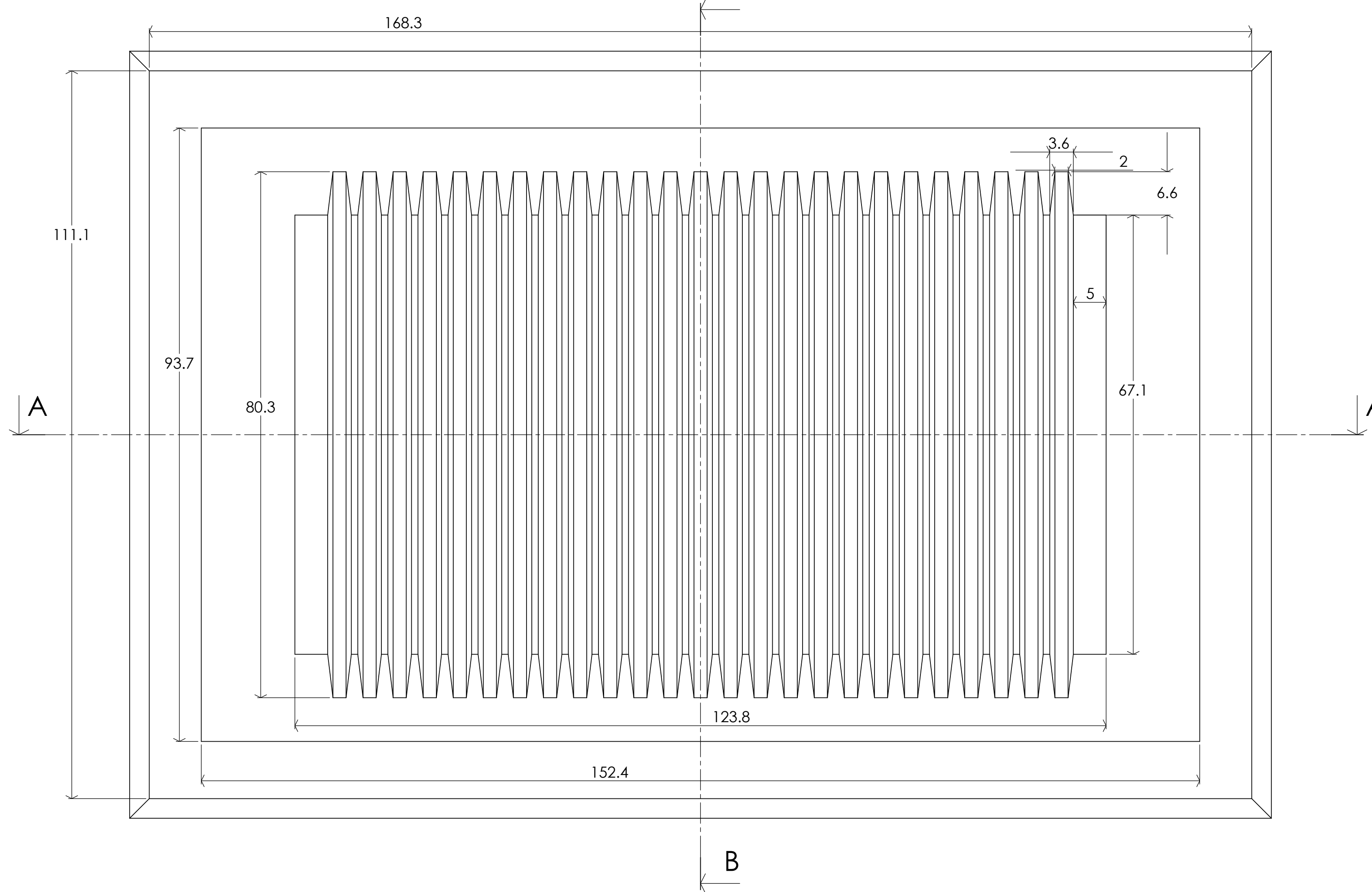


SECTION A-A  
SCALE 2:1

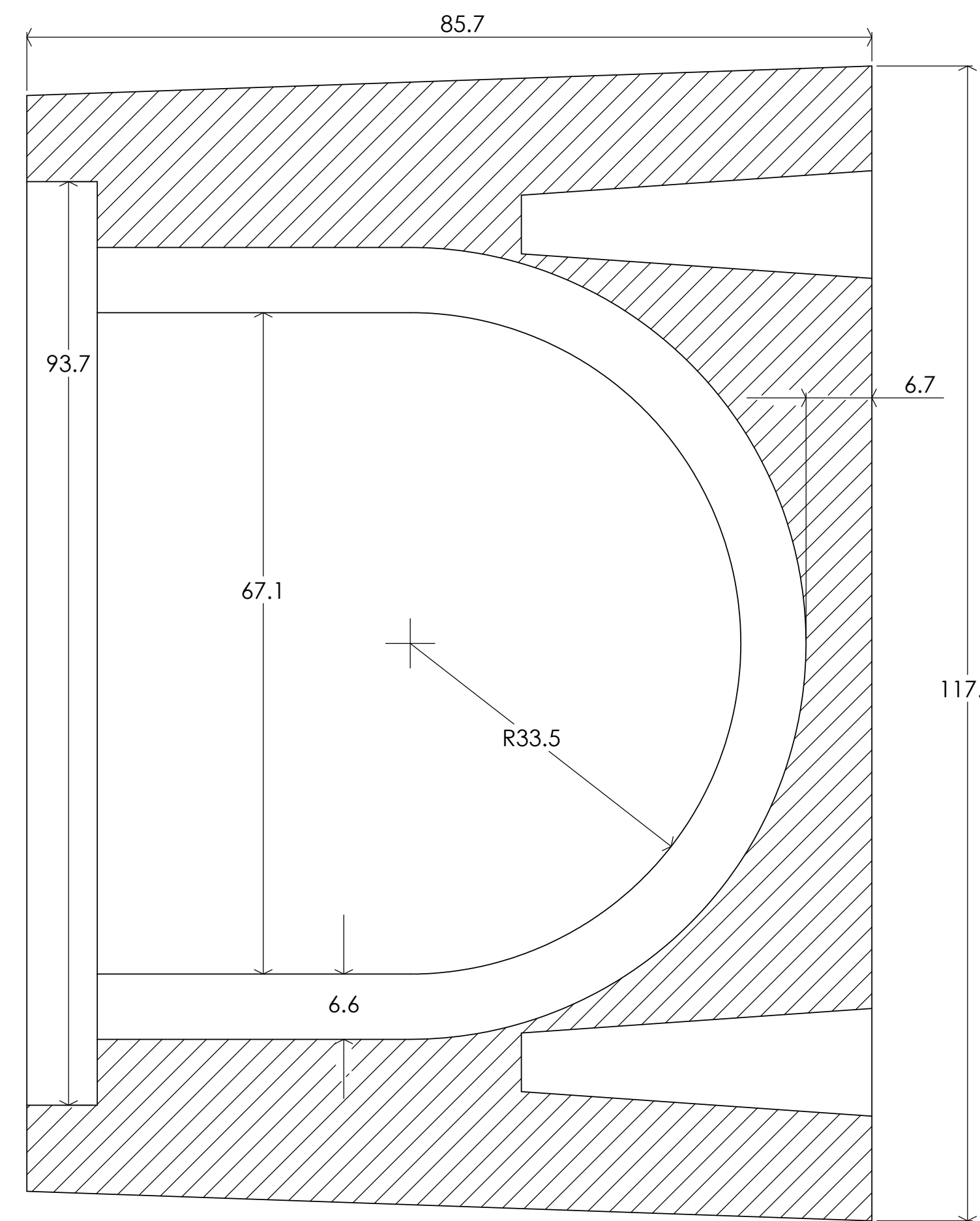


Note:

- 1) Material To be 64g/l density (4.0 lb/ft<sup>3</sup>) EPS
- 2) 2 Degree Draft TYP
- 3) Volume = 53.0 cubic inches



SECTION B-B  
SCALE 2:1



PROPRIETARY AND CONFIDENTIAL  
THE INFORMATION CONTAINED IN THIS  
DRAWING IS THE SOLE PROPERTY OF  
Tempo Plastics Co., Inc. ANY  
REPRODUCTION IN PART OR AS A WHOLE  
WITHOUT THE WRITTEN PERMISSION OF  
Tempo Plastics Co., Inc. IS  
PROHIBITED.

UNLESS OTHERWISE SPECIFIED:		NAME	DATE
DRAWN	Cucaron		7/7/05
CHECKED			
ENG APPR.			
MFG APPR.			
INTERPRET GEOMETRIC TOLERANCING PER:		Q.A.	
MATERIAL		COMMENTS:	
NEXT ASSY	USED ON	FINISH	
APPLICATION			

TITLE:		SIZE	DWG. NO.	REV
25R-3062		D	1	1
SCALE: 2:1		SHEET 1 OF 1		

REV  
25R3062  
D