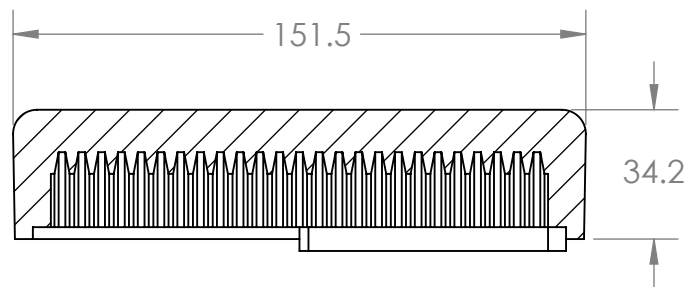
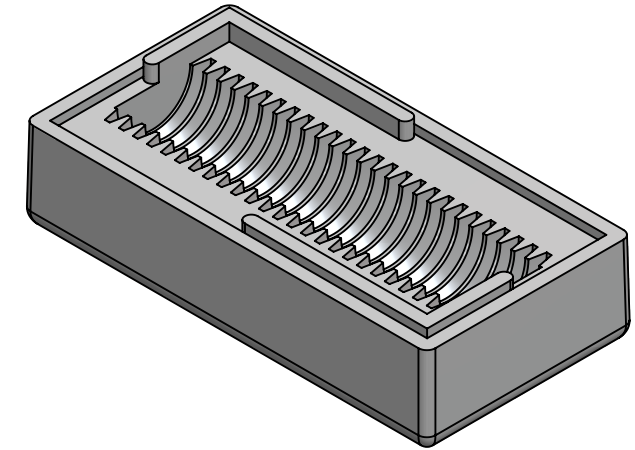
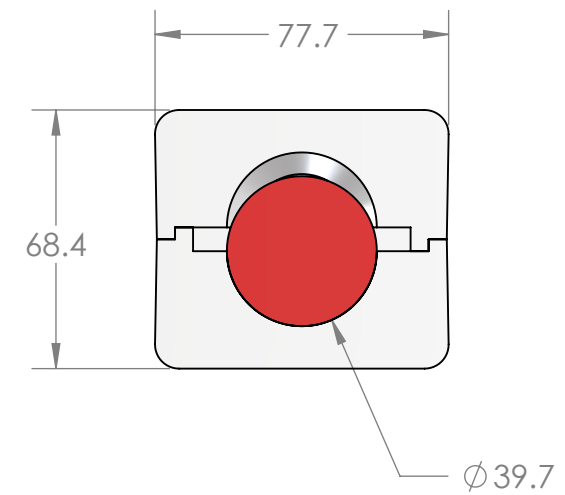


SECTION A-A
SCALE 1 : 2



SECTION B-B
SCALE 1 : 2



- Note:
- 1) Material To be 64g/l density (4.0 lb/ft³) EPS, Static Dissipative
 - 2) 1 Degree Draft TYP
 - 3) Dimensions shown are in millimeters

PROPRIETARY AND CONFIDENTIAL
THE INFORMATION CONTAINED IN THIS DRAWING IS THE SOLE PROPERTY OF **TEMPO PLASTIC CO., INC.** ANY REPRODUCTION IN PART OR AS A WHOLE WITHOUT THE WRITTEN PERMISSION OF **TEMPO PLASTIC CO., INC.** IS PROHIBITED.

NEXT ASSY	USED ON	APPLICATION
		DO NOT SCALE DRAWING

UNLESS OTHERWISE SPECIFIED:			
DIMENSIONS ARE IN MM			
TOLERANCES:			
FRACTIONAL ±			
ANGULAR: MACH ±	BEND ±		
TWO PLACE DECIMAL ±			
THREE PLACE DECIMAL ±			
INTERPRET GEOMETRIC TOLERANCING PER:			
MATERIAL			
FINISH			

	NAME	DATE
DRAWN	JR	10/9/14
CHECKED		
ENG APPR.		
MFG APPR.		
Q.A.		
COMMENTS:		

TEMPO PLASTIC CO., INC.		
TITLE:		
25R-1562		
SIZE	DWG. NO.	REV
B		A
SCALE: 1:2	WEIGHT:	SHEET 1 OF 1