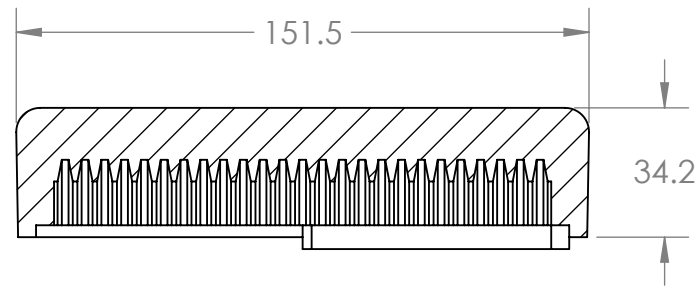
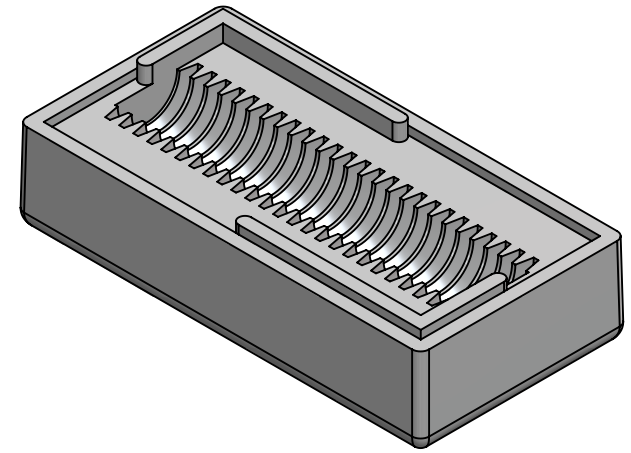
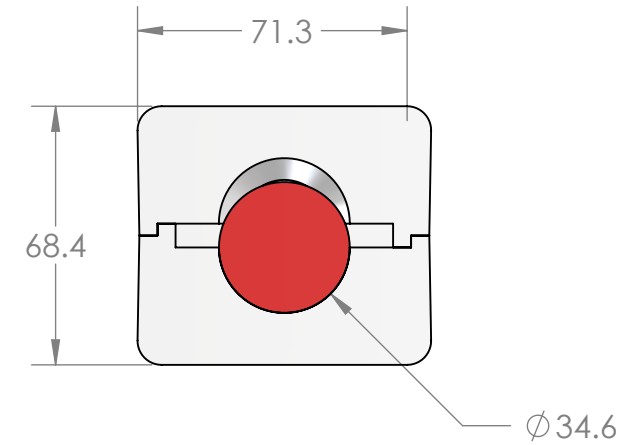


SECTION A-A
SCALE 1 : 2



SECTION B-B
SCALE 1 : 2



- Note:
- 1) Material To be 64g/l density (4.0 lb/ft³) EPS, Static Dissipative
 - 2) 1 Degree Draft TYP
 - 3) Dimensions shown are in millimeters

PROPRIETARY AND CONFIDENTIAL
THE INFORMATION CONTAINED IN THIS DRAWING IS THE SOLE PROPERTY OF **TEMPO PLASTIC CO., INC.** ANY REPRODUCTION IN PART OR AS A WHOLE WITHOUT THE WRITTEN PERMISSION OF **TEMPO PLASTIC CO., INC.** IS PROHIBITED.

		INTERPRET GEOMETRIC TOLERANCING PER:
NEXT ASSY	USED ON	MATERIAL
APPLICATION		FINISH
		DO NOT SCALE DRAWING

UNLESS OTHERWISE SPECIFIED:
DIMENSIONS ARE IN MM
TOLERANCES:
FRACTIONAL ±
ANGULAR: MACH ± BEND ±
TWO PLACE DECIMAL ±
THREE PLACE DECIMAL ±

	NAME	DATE
DRAWN	JR	10/8/14
CHECKED		
ENG APPR.		
MFG APPR.		
Q.A.		
COMMENTS:		

TEMPO PLASTIC CO., INC.

TITLE:
25R-1362

SIZE	DWG. NO.	REV
B		A
SCALE: 1:2	WEIGHT:	SHEET 1 OF 1