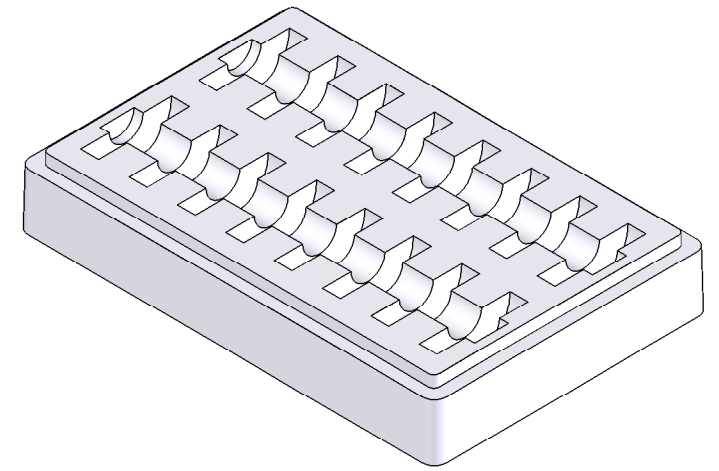
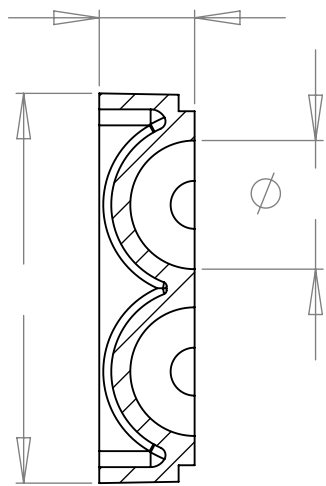
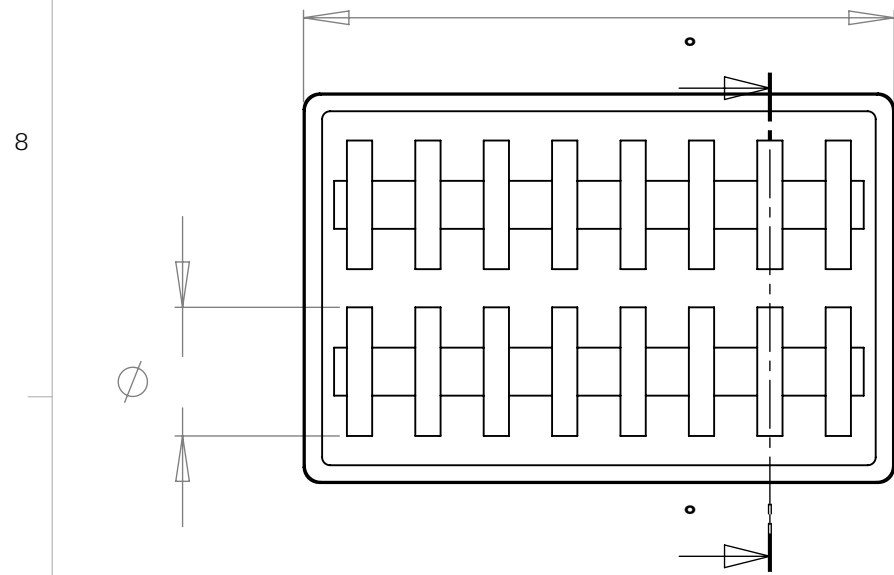
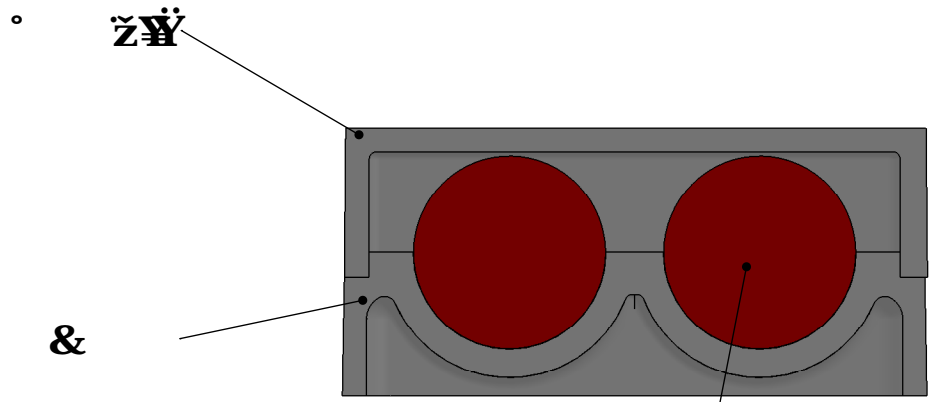
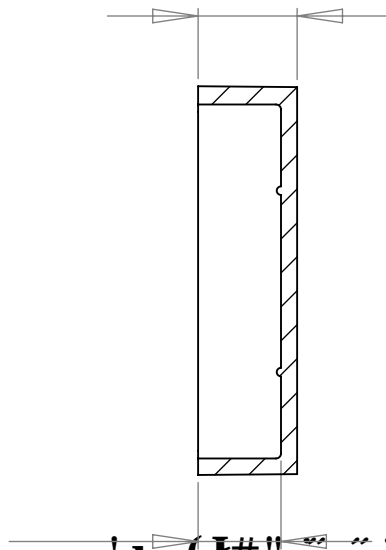
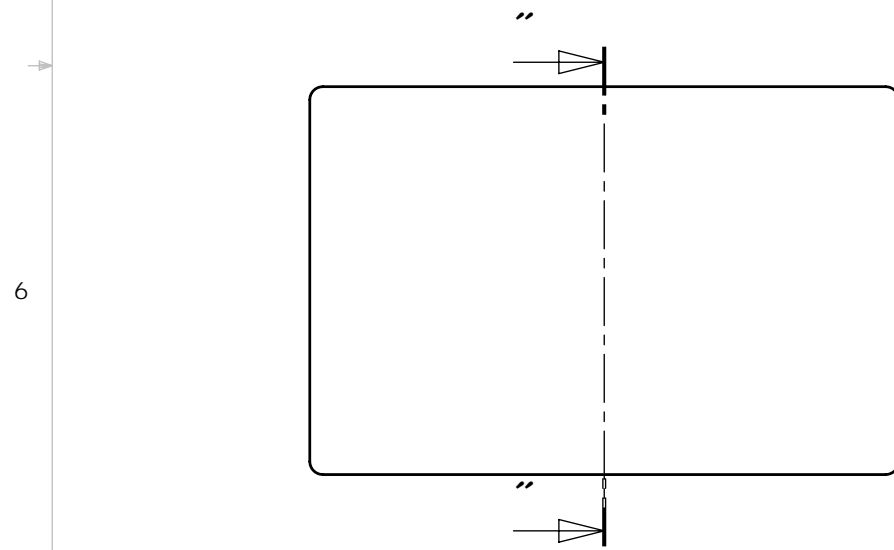


y y y 0go r q/hqco 0eqo



' 1 (I# " ° ° °  
' ° ž1 ° ° °



- «±® ±» °®š; 3 šq®

BchY.  
%&A UYf]U`Hc`VY`\* ([ #`XYbg]mf( "\$`V#ž1 Ł`  
°°°GhUjW8]gg]dUj Y`9DG  
&Ł`%8Y[ fYY`8fUž1HMD  
` Ł`

DFC DF-945FM5B87CB: 89BH5@  
H: 9 B: CFA 5HC B 7 CBH5 B98 B H-6  
8F5K B: -GH: 9GC @DFC D9F HMC:  
H9A DC D@5GH7 7Cž-B7" 5BM  
F9DFC 8I 7HC B B D5FHC F 5G5 K <C @  
K H: C I HH: 9K F H9B D9FA GGC B C:  
H9A DC D@5GH7 7Cž-B7" 6  
DFC <6498"

		I B @GGC H: 9FK @9 QD97 ±98.		B5A 9	85H9	<b>H9A DC D@5GH7 7Cž-B7"</b>
		8 A 9B GC BG5F9 B A A HC @F5B7 9G : F57 HC B5 @± 5B: I @5F: A 57 <± °°°69B8 ± HK C D@57 9897 A 5 @°°± H: F99 D@57 9897 A 5 @±	8F5K B	>  B € F	&#&#%#%	H#H@.
		8HFD9H: 9CA 9H-7 HC @F5B7 B: D9F.	7 <97 ?98			<b>% F!&amp;\$%\$ VUgY/ ' @X</b>
		A 5HFF-5@	9B: '5DDF"			
			A: ; '5DDF"			
			E "5"			
			7 C A A 9BHG			
B9LH5GGM	I 098 C B	: B G<				GAP 8K ; ""BC "
						F9J
						<b>6</b>
						<b>5</b>
						G7 5 @. '%
						G<99H%C : %