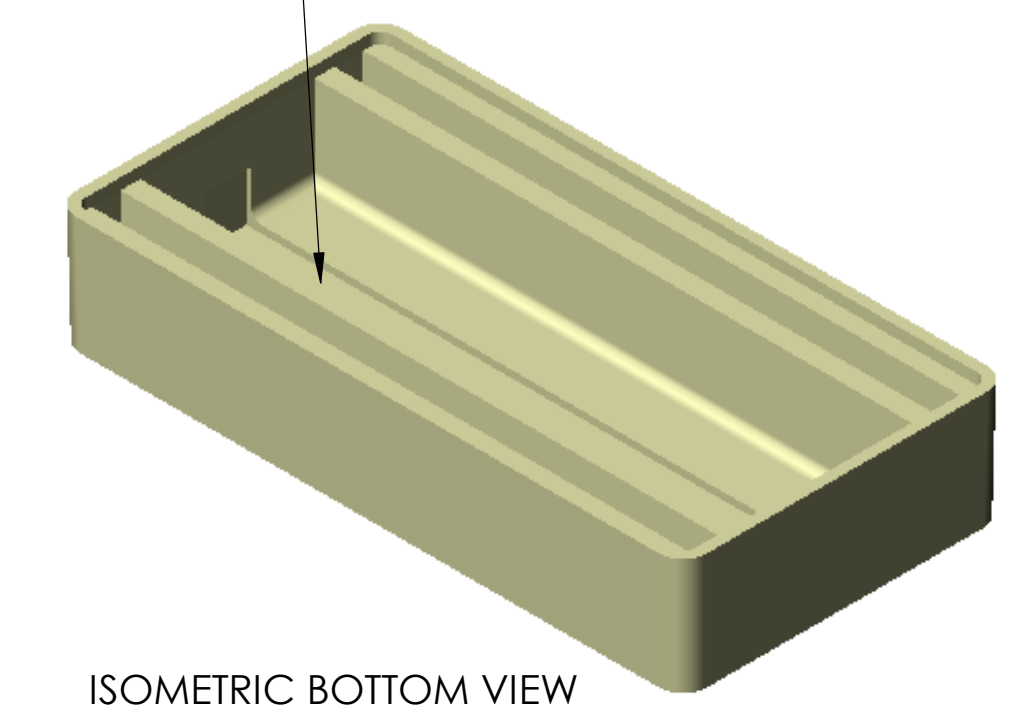


CAVITY FOR CRUSH RIB INSERT TO ACCOMMODATE WHEEL DIAMETERS 85, 90, 98 mm.



NOTES:

- 1- MATERIAL: DRY MOLDED POLYSTYRENE, 63 gm/liter
- 2- ALL DIMENSIONS ARE IN MILLIMETERS
- 3- WEIGHT: 124.3 gm
- 4- VOLUME: 1042.4 CU CENTIMETERS

PROPRIETARY AND CONFIDENTIAL
 THE INFORMATION CONTAINED IN THIS DRAWING IS THE SOLE PROPERTY OF TEMPO PLASTIC CO., INC. ANY REPRODUCTION IN PART OR AS A WHOLE WITHOUT THE WRITTEN PERMISSION OF TEMPO PLASTIC CO., INC. IS PROHIBITED.

		UNLESS OTHERWISE SPECIFIED:		NAME	DATE	TEMPO PLASTIC CO., INC. 1227 N. MILLER PARK COURT VISALIA, CA 93291	
		DIMENSIONS ARE IN INCHES		DRAWN	J ELLIS	12Dec04	TITLE: 85-98 mm CW PKG LID
		TOLERANCES:		CHECKED	DBR	12Dec04	
		FRACTIONAL ±		ENG APPR.			
		ANGULAR: MACH ± BEND ±		MFG APPR.	DBR	12Dec04	
		TWO PLACE DECIMAL ±		Q.A.			SIZE DWG. NO. REV C 121204JREa
		THREE PLACE DECIMAL ±		COMMENTS:			
		INTERPRET GEOMETRIC TOLERANCING PER:				SCALE: 1:2 WEIGHT: SHEET 1 OF 1	
		MATERIAL					
		FINISH					
NEXT ASSY	USED ON	APPLICATION		DO NOT SCALE DRAWING			