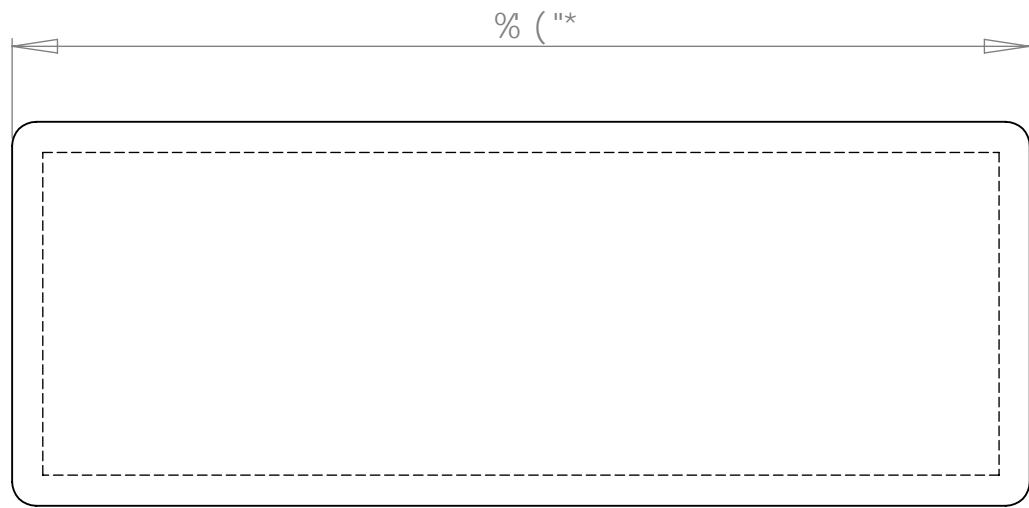


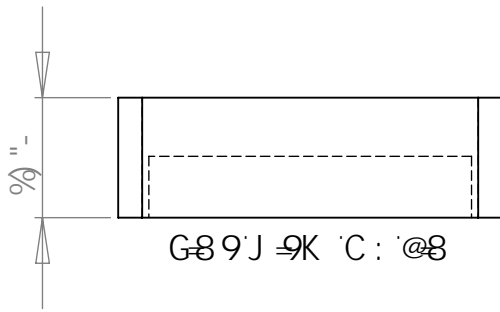
yy y 0go r q/hqco 0eqo

8

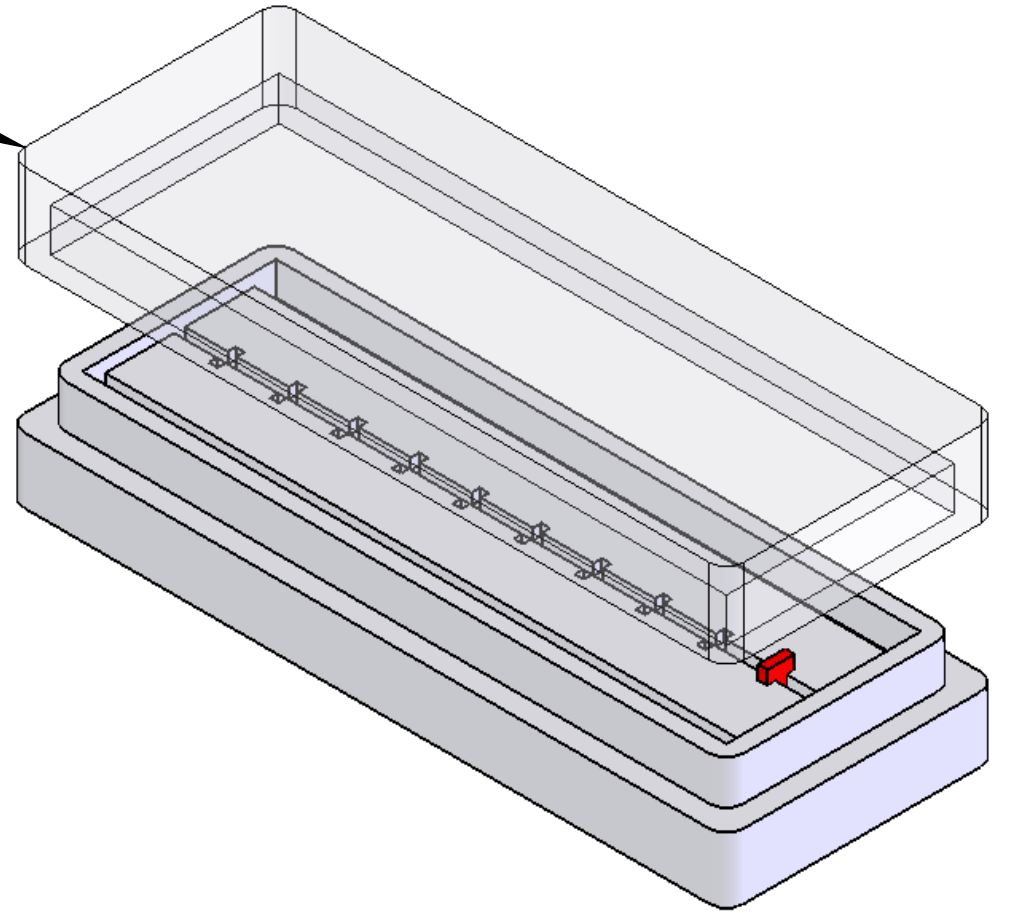


HC D'J 9K 'C : '@8

HF5BGD5F9BH@8`G<C K G  
G@C HG: C F '%\$'D7 G'

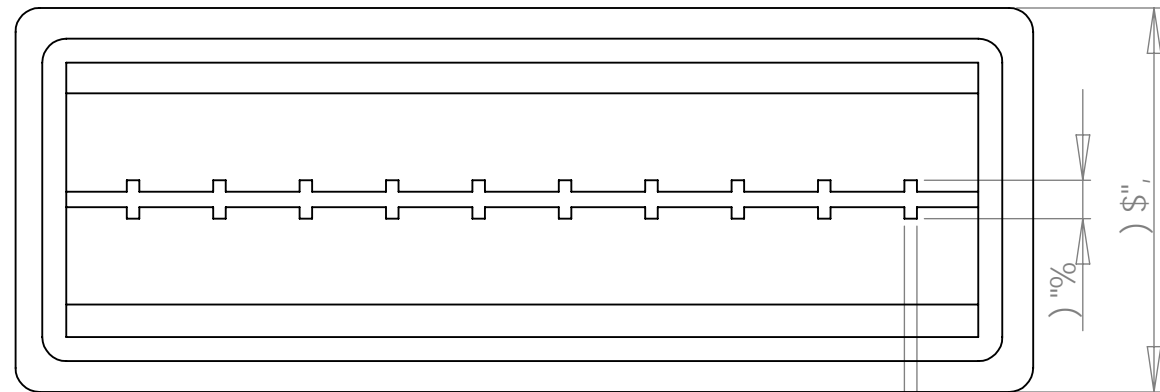


G89J 9K 'C : '@8

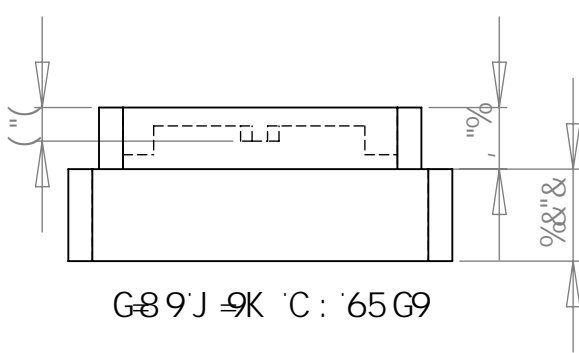


7

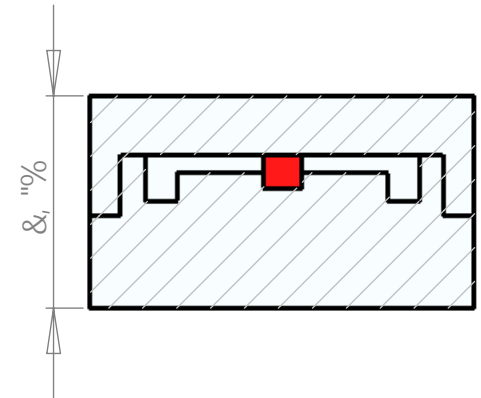
7



HC D'J 9K 'C : '65 G9



G89J 9K 'C : '65 G9



7 I HG97 HC B 'K #k 'D5FH-B 'D@57 9

6

6

BchY.

%&'A UHf]U`Hc`VY`\* ([ #`XYbg]hmf("\$`V#h L'9DGž

GhUjW8]gg]dUhj`Y

&L'%8Y[ fYY`8fUZiHMD

' L'8]a Ybg]cbg`g\ck b`UfY`]'b`a ]`]'a YHfg

5

5

DFC DF-945FM5B87CB: 89BH5@  
H:9 B: C FA 5HC B 7 CBH5 B98 B H-G  
8F5K B: -GH:9GC @DFC.D9F HMC:  
Vgo r q'Rrcule'E q0'kpe0 5BM  
F9DFC 8I 7HC B -B D5FHC F 5G5 K <C @  
K #k: C I HH: 9K F HH9B D9FA GGC B C:  
Vgo r q'Rrcule'E q0'kpe0 G  
DFC <-6498"

		I B @GGC H: 9FK @9 GD97 ≠ 98.	B5A 9	85H9	<b>Vgo r q'Rrcule'E q0'kpe0</b>
		8A 9BGC BG5F9 B 'B7 <9G HC @F5B7 9G : F57 HC B5 @± 5B: I @5F: A 57 <± .....69B 8 ± K C D@57 9897 -A 5@''± H: F99D@57 9897 -A 5@ ±	8F5K B	BY Yb 5'UrcffY	
		BHFDF9H: 9CA 9F 7 HC @F5B7 B: D9F.	7 <97 ?98		% \$ G % +
		A 5HF 5@	9B: '5DDF"		
B9LH5GGM	I G98 C B	: B G<	A: ; '5DDF"		
			E "5"		
			7 C A A 9BHG		
					GA9 8K ; ""BC "
					F9J
					G7 5 @. %%
					G<99H% C : %

5

5