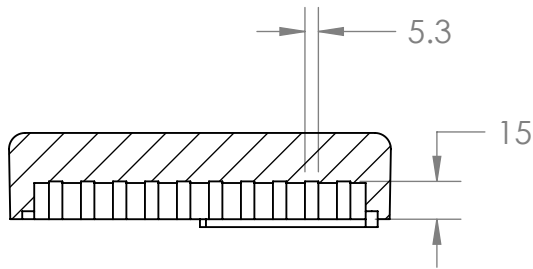
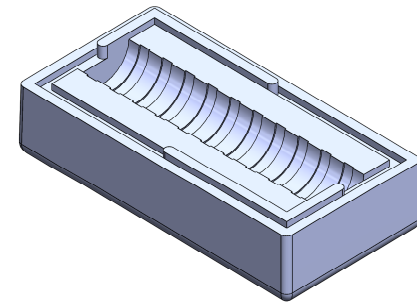
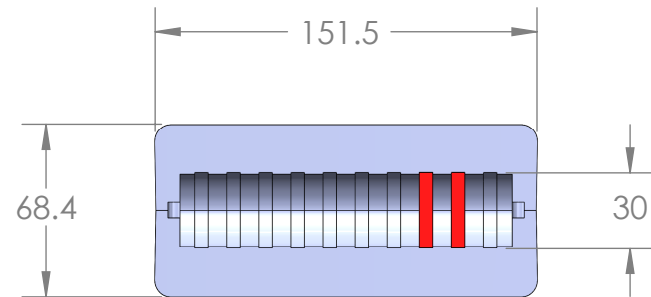


SECTION A-A
SCALE 1 : 3



SECTION B-B
SCALE 1 : 3



Note:

- 1) Material To be 64g/l density (4.0 lb/ft³) EPS, Static Dissipative
- 2) 1 Degree Draft TYP
- 3) Dimensions shown are in millimeters

UNLESS OTHERWISE SPECIFIED:		NAME	DATE	Tempo Plastic Co.	
DIMENSIONS ARE IN MM TOLERANCES: FRACTIONAL ± ANGULAR: MACH ± BEND ± TWO PLACE DECIMAL ± THREE PLACE DECIMAL ±		DRAWN	JR		
INTERPRET GEOMETRIC TOLERANCING PER:		CHECKED			TITLE: 10R-1182
MATERIAL		ENG APPR.			
FINISH		MFG APPR.			SIZE A
DO NOT SCALE DRAWING		Q.A.			DWG. NO.
NEXT ASSY	USED ON	COMMENTS:			REV A
APPLICATION				SCALE: 1:3	WEIGHT:
				SHEET 1 OF 1	

PROPRIETARY AND CONFIDENTIAL
THE INFORMATION CONTAINED IN THIS DRAWING IS THE SOLE PROPERTY OF **TEMPO PLASTIC CO.** ANY REPRODUCTION IN PART OR AS A WHOLE WITHOUT THE WRITTEN PERMISSION OF **TEMPO PLASTIC CO.** IS PROHIBITED.