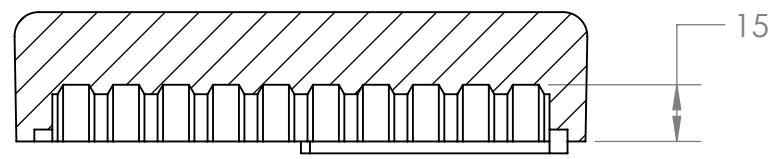
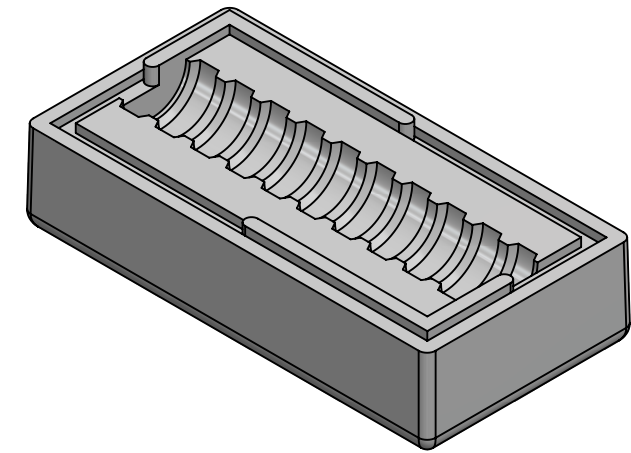
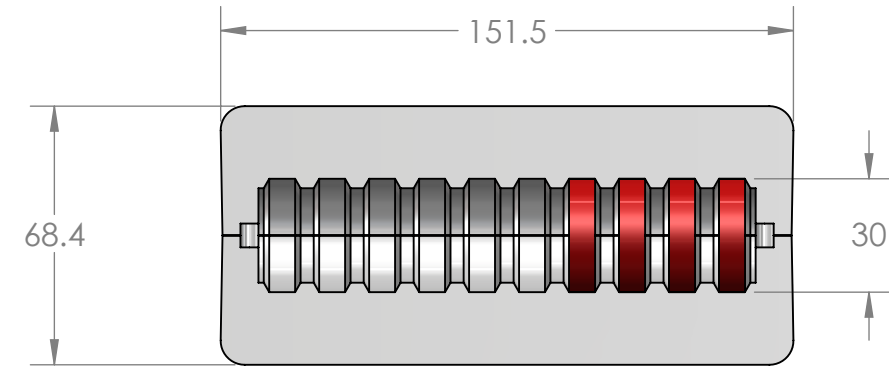


SECTION A-A
SCALE 1 : 2



SECTION B-B
SCALE 1 : 2



- Note:**
- 1) Material To be 64g/l density (4.0 lb/ft³) EPS, Static Dissipative
 - 2) 1 Degree Draft TYP
 - 3) Dimensions shown are in millimeters

PROPRIETARY AND CONFIDENTIAL
THE INFORMATION CONTAINED IN THIS DRAWING IS THE SOLE PROPERTY OF **TEMPO PLASTIC CO., INC.** ANY REPRODUCTION IN PART OR AS A WHOLE WITHOUT THE WRITTEN PERMISSION OF **TEMPO PLASTIC CO., INC.** IS PROHIBITED.

| | |
|-------------|---------|
| NEXT ASSY | USED ON |
| APPLICATION | |

| | |
|--------------------------------------|--------|
| UNLESS OTHERWISE SPECIFIED: | |
| DIMENSIONS ARE IN MM | |
| TOLERANCES: | |
| FRACTIONAL ± | |
| ANGULAR: MACH ± | BEND ± |
| TWO PLACE DECIMAL ± | |
| THREE PLACE DECIMAL ± | |
| INTERPRET GEOMETRIC TOLERANCING PER: | |
| MATERIAL | |
| FINISH | |
| DO NOT SCALE DRAWING | |

| | |
|-----------|----------|
| NAME | DATE |
| Junior | 10/13/14 |
| DRAWN | |
| CHECKED | |
| ENG APPR. | |
| MFG APPR. | |
| Q.A. | |
| COMMENTS: | |

| | | |
|--------------------------------|----------|--------------|
| TEMPO PLASTIC CO., INC. | | |
| TITLE: | | |
| 10R-3000 | | |
| SIZE | DWG. NO. | REV |
| B | | A |
| SCALE: 1:2 | WEIGHT: | SHEET 1 OF 1 |