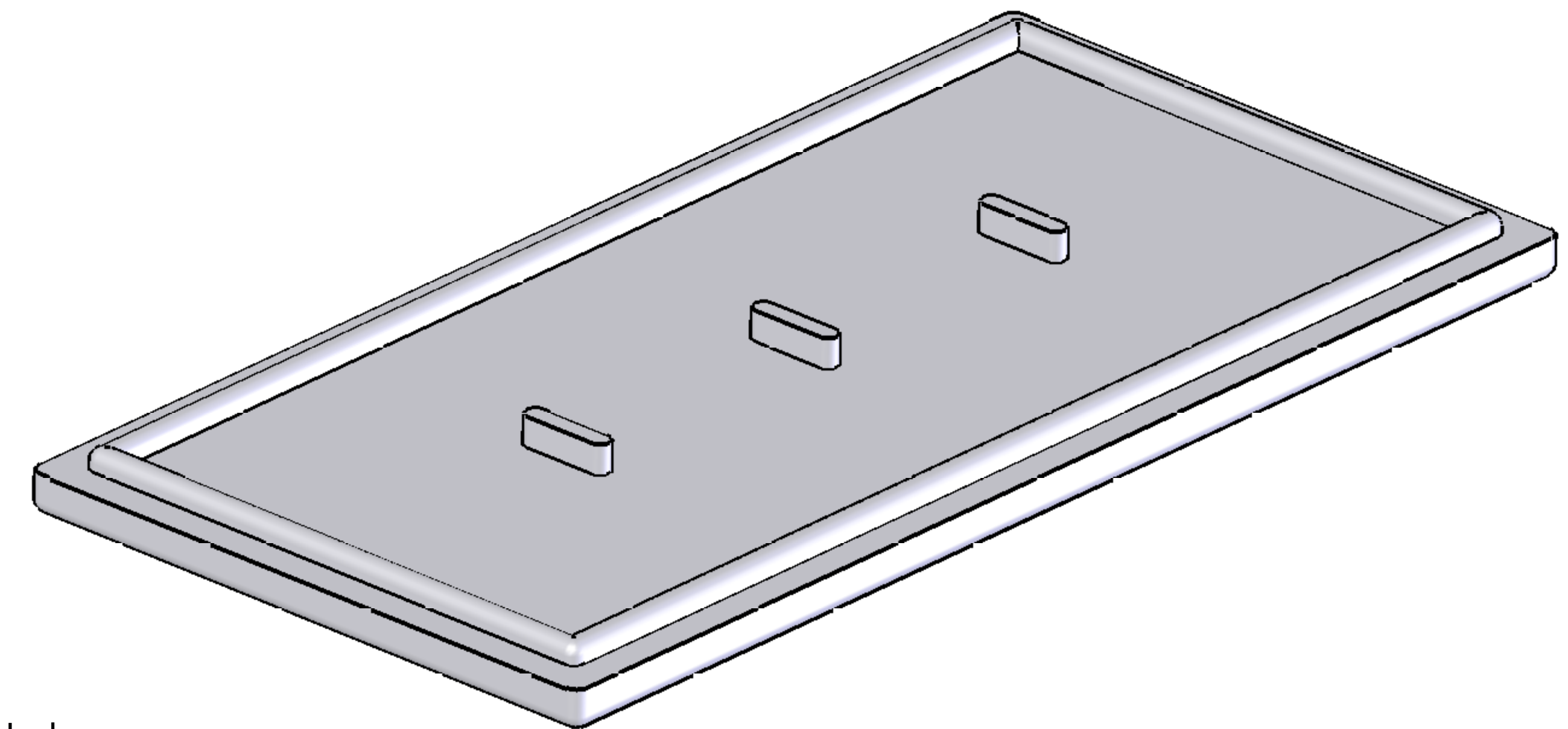
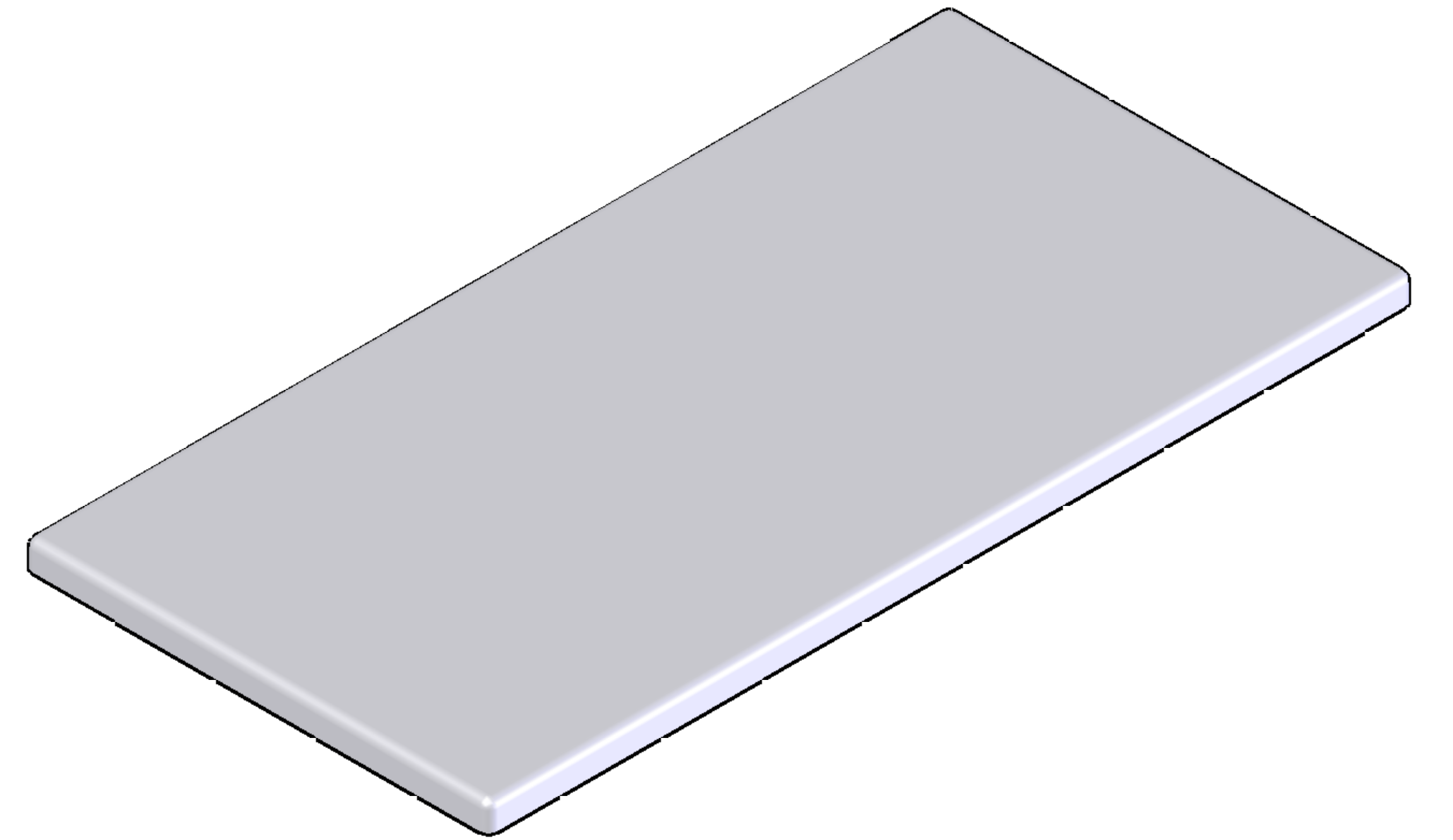


SECTION A-A SCALE 1:1



Note:

- 1) Material To be 64g/l density (4.0 lb/ft3) EPS
- 2) 1 Degree Draft TYP
- 3) Volume = 33.9 cubic inches

**PROPRIETARY AND CONFIDENTIAL**

THE INFORMATION CONTAINED IN THIS DRAWING IS THE SOLE PROPERTY OF Tempo Plastic Co. Inc. ANY REPRODUCTION IN PART OR AS A WHOLE WITHOUT THE WRITTEN PERMISSION OF Tempo Plastic Co. Inc IS PROHIBITED.

UNLESS OTHERWISE SPECIFIED:		NAME	DATE
DIMENSIONS ARE IN Millimeters	FRACTIONAL ±	Junior	8/2/07
TOLERANCES:	ANGULAR: MATCH ±	CHECKED	
	BEND ±	ENG APPR:	
	TWO PLACE DECIMAL ±	MFG APPR:	
	THREE PLACE DECIMAL ±	Q.A.	
INTERPRET GEOMETRIC TOLERANCING PER:	MATERIAL	1227 N. Miller Park Ct. Visalia, CA 93291	
NEXT ASSY	USED ON	FINISH	
APPLICATION			

Tempo Plastic Co, Inc.	
TITLE: 100R-2562 Lid	
SIZE: D	DWG. NO.:
SCALE: 1:1	SHEET 1 OF 1

REV D 100R-2562 Lid