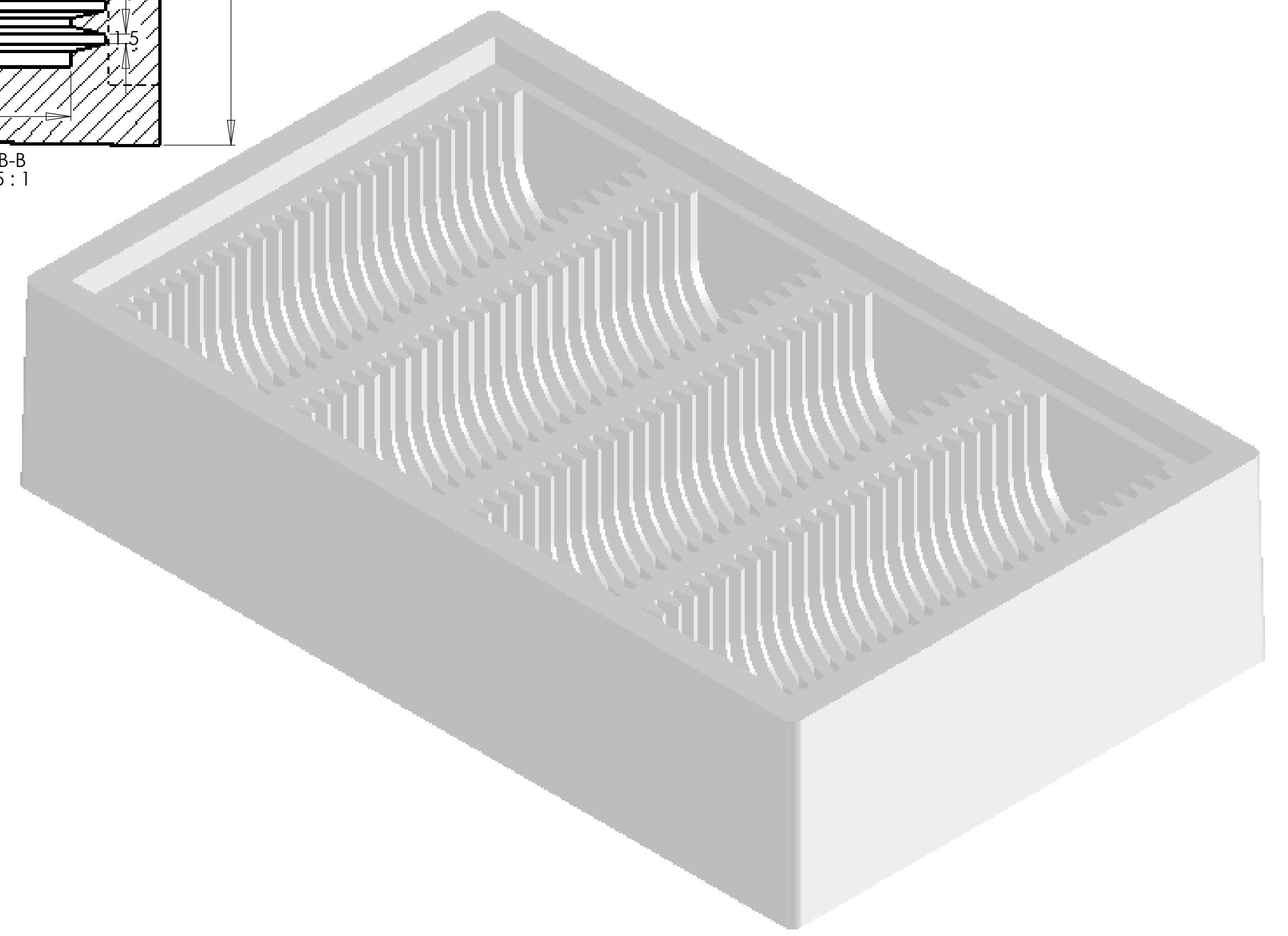
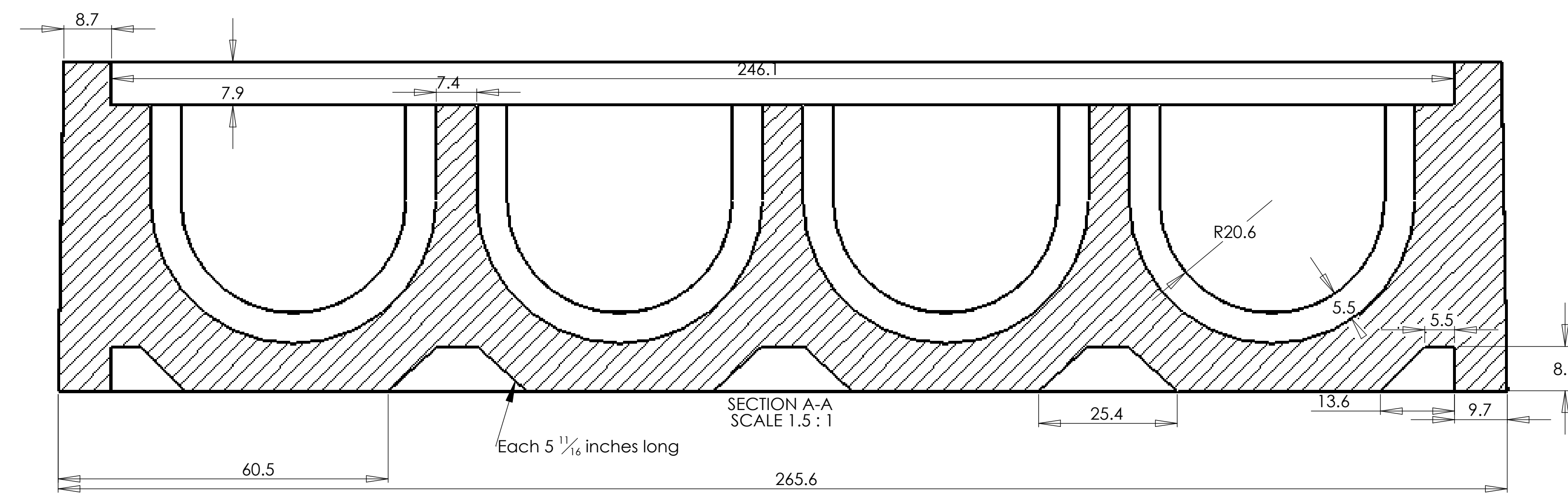


- Note:
- 1) Material To be 64g/l density (4.0 lb/ft³) EPS
 - 2) 1 Degree Draft TYP
 - 3) Volume = 78.8 cubic inches



UNLESS OTHERWISE SPECIFIED:		NAME	DATE	TITLE:	
DIMENSIONS ARE IN MILLIMETERS		Cuaron	7/8/05		100R-2062
TOLERANCES:		DRAWN		SIZE DWG. NO. REV	
FRACTIONAL ±		CHECKED			D 1
ANGULAR MATCH ±		ENG APPR:			SCALE: 1.5:1 SHEET 1 OF 1
TWO PLACE DECIMAL ±		MFG APPR:			
THREE PLACE DECIMAL ±		Q.A.			
INTERPRET GEOMETRIC TOLERANCING PER:		COMMENTS:			
MATERIAL:					
NEXT ASSY	USED ON	FINISH			
APPLICATION					

PROPRIETARY AND CONFIDENTIAL
THE INFORMATION CONTAINED IN THIS DRAWING IS THE SOLE PROPERTY OF Tempo Plastics Co., Inc. ANY REPRODUCTION IN PART OR AS A WHOLE WITHOUT THE WRITTEN PERMISSION OF Tempo Plastics Co., Inc. IS PROHIBITED.