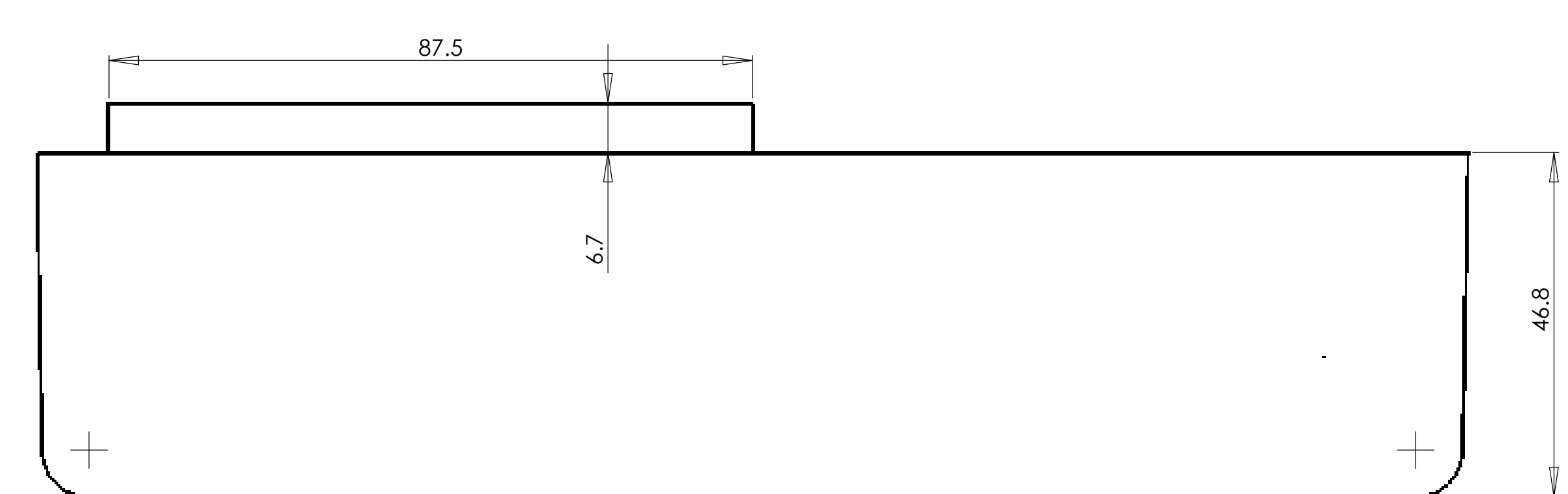
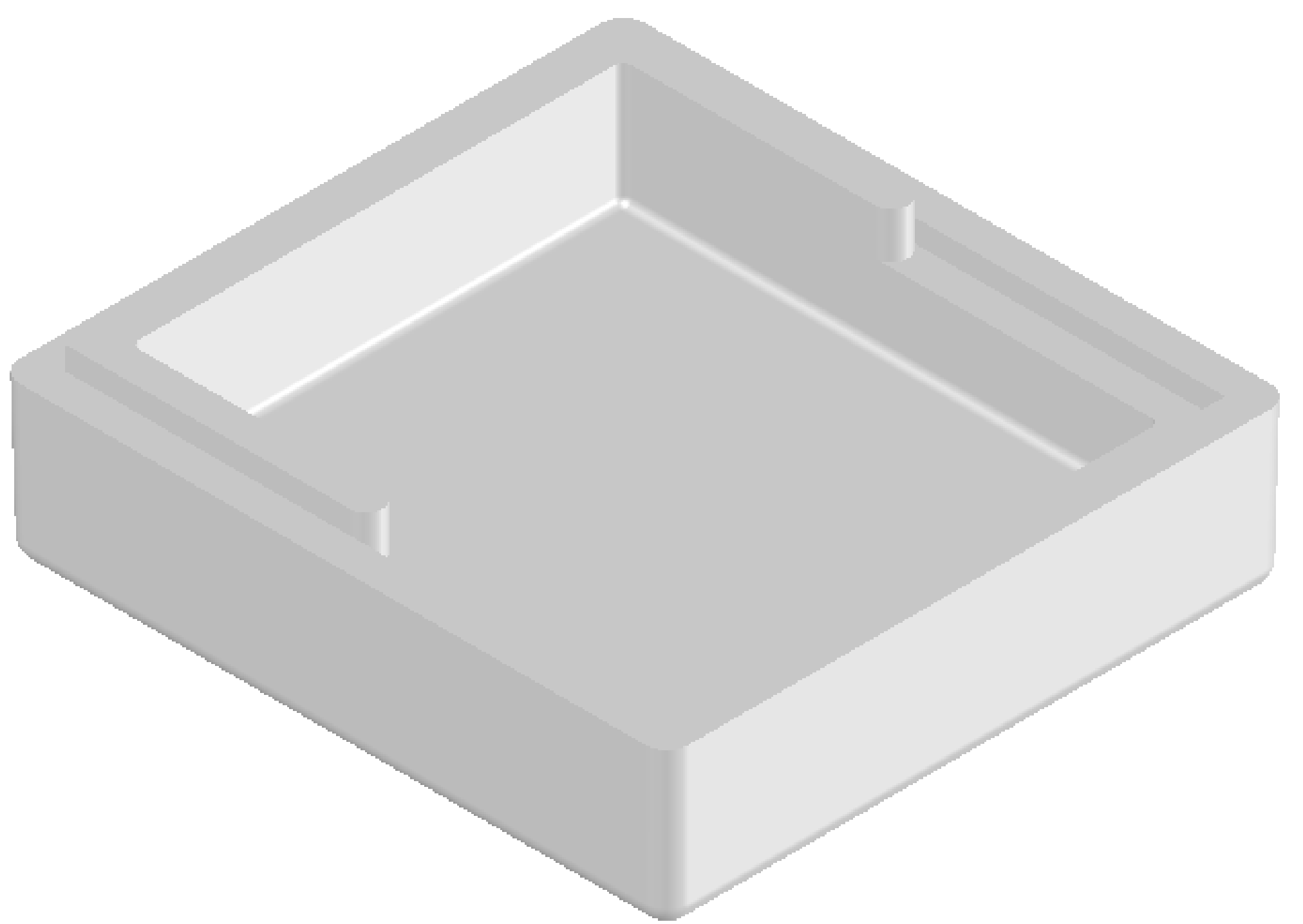


SECTION A-A
SCALE 1.5 : 1



Note:

- 1) Material To be 64g/l density (4.0 lb/ft3) EPS
- 2) 1 Degree Draft TYP
- 3) Volume = 60.2 cubic inches

PROPRIETARY AND CONFIDENTIAL
THE INFORMATION CONTAINED IN THIS DRAWING IS THE SOLE PROPERTY OF Tempo Plazic Co. Inc. ANY REPRODUCTION IN PART OR AS A WHOLE WITHOUT THE WRITTEN PERMISSION OF Tempo Plazic Co. Inc. IS PROHIBITED.

UNLESS OTHERWISE SPECIFIED:		NAME	DATE	TITLE: TPC562
DIMENSIONS ARE IN Millimeters		Junior	7/14/05	
TOLERANCES:				
FRACTIONAL ±				
ANGULAR MATCH ±		ENG APPR.		SIZE DWG. NO. REV D 1
BEND ±		MFG APPR.		
TWO PLACE DECIMAL ±		Q.A.		SCALE: 1.5:1 SHEET 1 OF 1
THREE PLACE DECIMAL ±		COMMENTS:		
INTERPRET GEOMETRIC TOLERANCING PER:				
MATERIAL:				
NEXT ASSY	USED ON	FINISH		
APPLICATION				