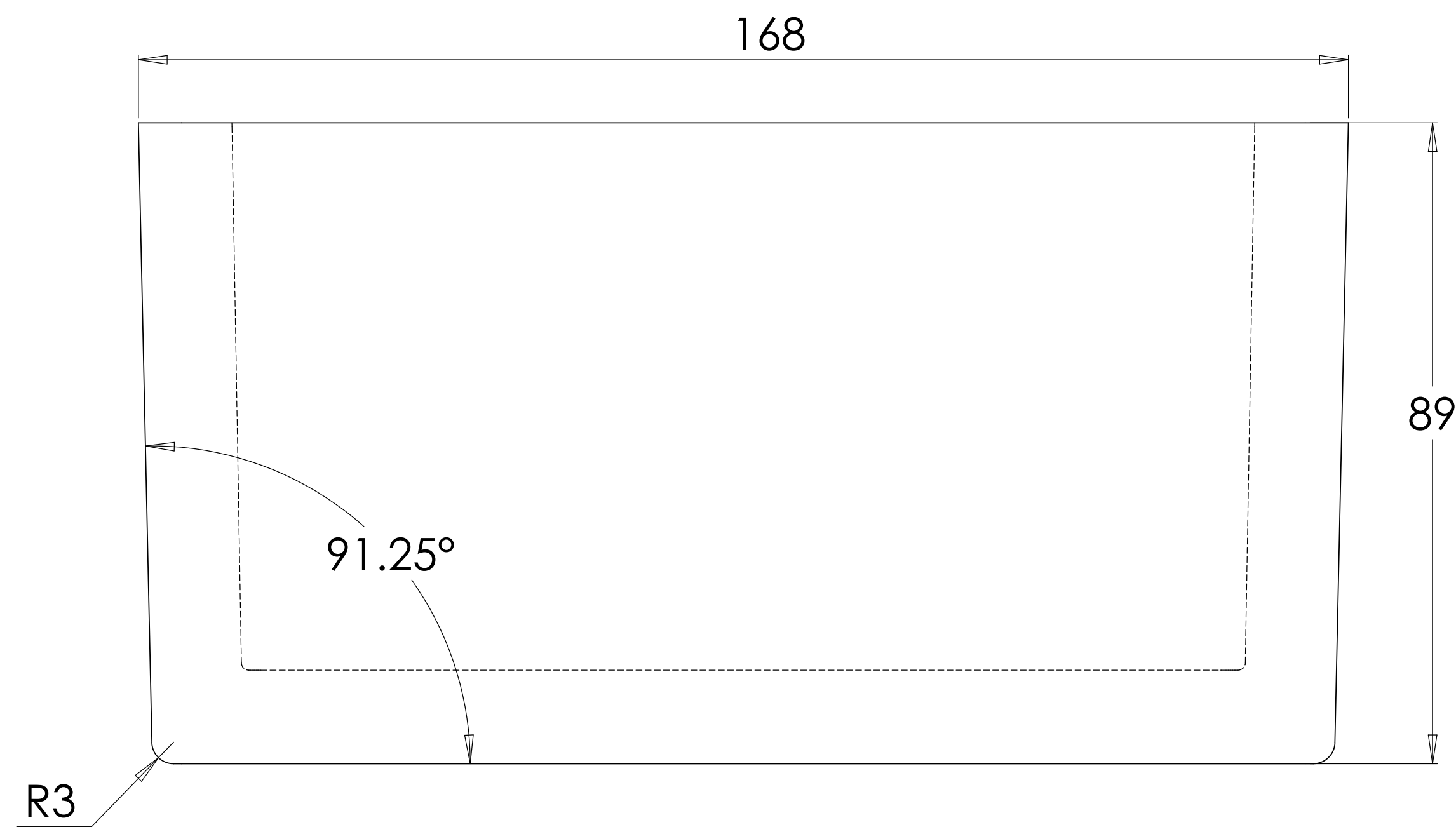
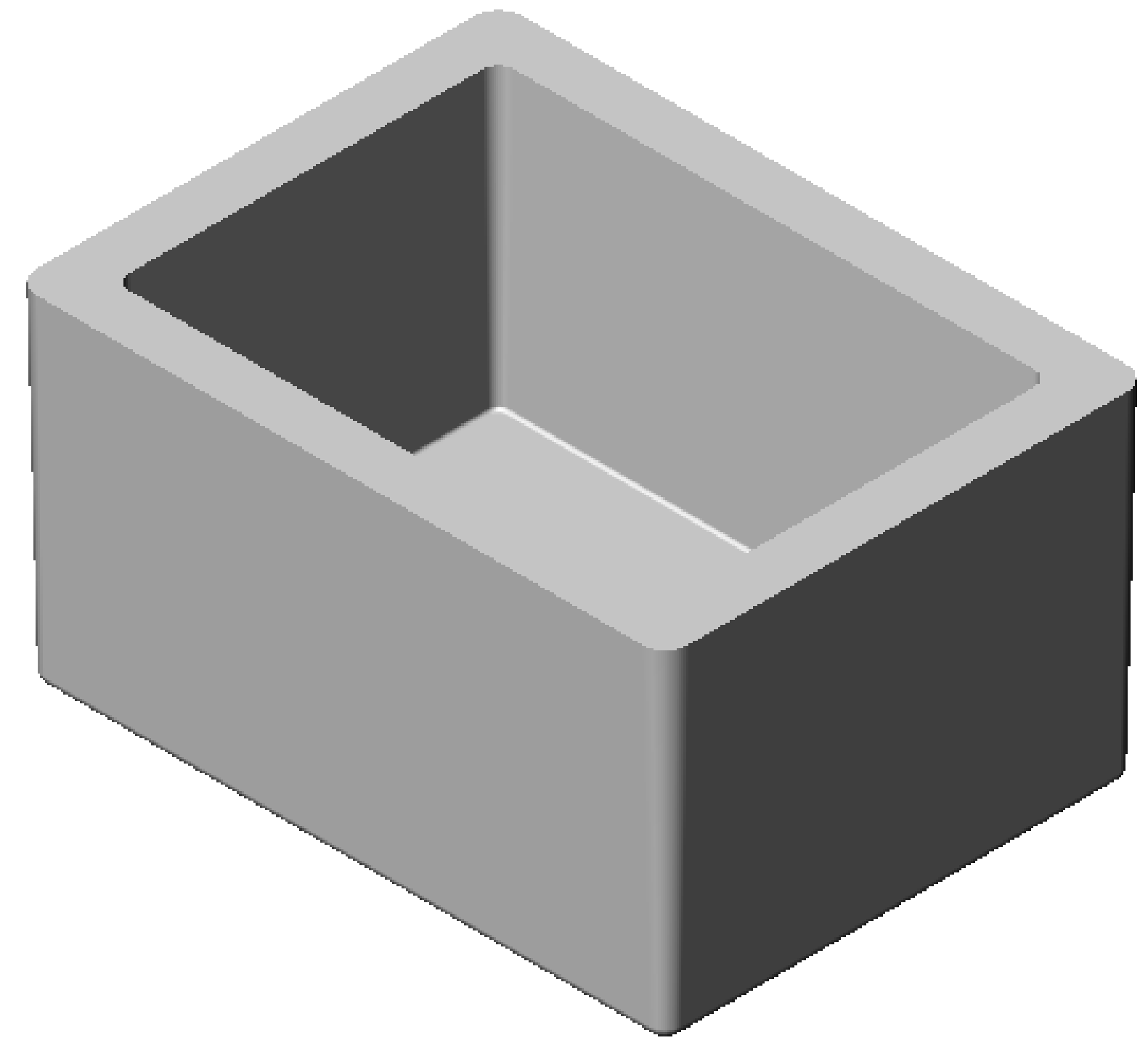


SECTION A-A
SCALE 1.5 : 1



Note:

- 1) Material To be 64g/l density (4.0 lb/ft³) EPS
- 2) 1 Degree Draft TYP
- 3) Volume = 47.13 cubic inches

PROPRIETARY AND CONFIDENTIAL
THE INFORMATION CONTAINED IN THIS DRAWING IS THE SOLE PROPERTY OF Tempo Plazic Co., Inc. ANY REPRODUCTION IN PART OR AS A WHOLE WITHOUT THE WRITTEN PERMISSION OF Tempo Plazic Co., Inc. IS PROHIBITED.

UNLESS OTHERWISE SPECIFIED:		NAME	DATE
DRAWN	DIMENSIONS ARE IN Millimeters	Junior	8/16/05
CHECKED	TOLERANCES:		
ENG APPR:	FRACTIONAL ±		
MFG APPR:	ANGULAR MATCH ±		
	BEND ±		
	TWO PLACE DECIMAL ±		
	THREE PLACE DECIMAL ±		
	INTERPRET GEOMETRIC TOLERANCING PER:		
	MATERIAL		
	COMMENTS:		
NEXT ASSY	USED ON	FINISH	
APPLICATION			

TITLE:		
TPC554Base		
SIZE	DWG. NO.	REV
D	1	
SCALE: 1.5:1		SHEET 1 OF 1

REV
D
TPC554Base