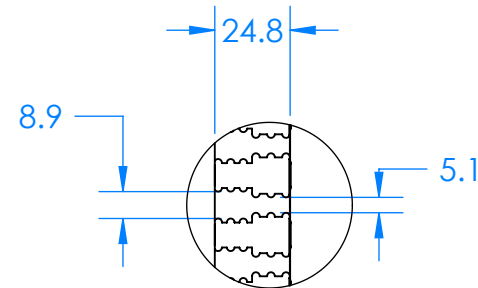
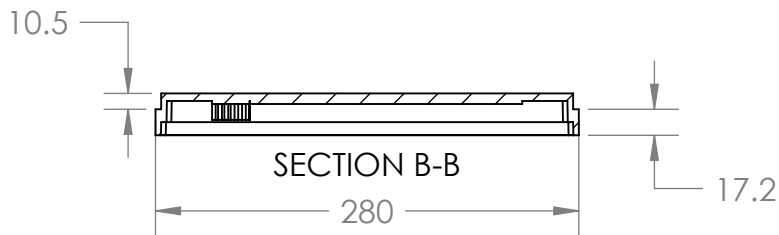
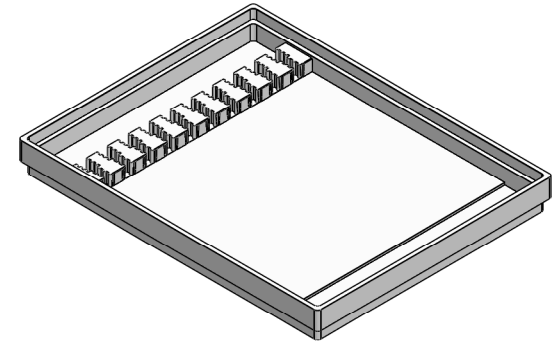
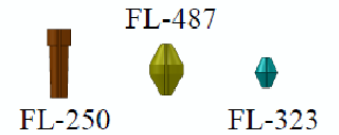


SECTION A-A



DETAIL C
SCALE 2 : 5

Optional Fiber Locks



Note:

- 1) Material To be 64g/l density (4.0 lb/ft³) EPS, Static Dissipative
- 2) 1 Degree Draft TYP
- 3) Dimensions shown are in millimeters

UNLESS OTHERWISE SPECIFIED: DIMENSIONS ARE IN MM TOLERANCES: FRACTIONAL ± ANGULAR: MACH ± BEND ± TWO PLACE DECIMAL ± THREE PLACE DECIMAL ± INTERPRET GEOMETRIC TOLERANCING PER: MATERIAL FINISH	DRAWN	NAME	DATE	Tempo Plastic Co. TITLE: FCSP 10 Pack SIZE A DWG. NO. REV A SCALE: 1:5 WEIGHT: SHEET 1 OF 1
	CHECKED	JR	3/23/15	
	ENG APPR.			
	MFG APPR.			
	Q.A.			
	COMMENTS:			

PROPRIETARY AND CONFIDENTIAL
THE INFORMATION CONTAINED IN THIS DRAWING IS THE SOLE PROPERTY OF **TEMPO PLASTIC CO.** ANY REPRODUCTION IN PART OR AS A WHOLE WITHOUT THE WRITTEN PERMISSION OF **TEMPO PLASTIC CO.** IS PROHIBITED.

NEXT ASSY	USED ON
APPLICATION	

DO NOT SCALE DRAWING