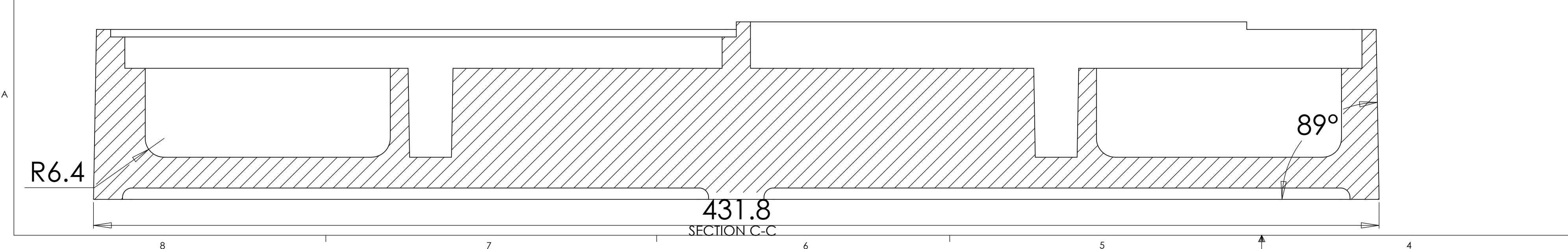
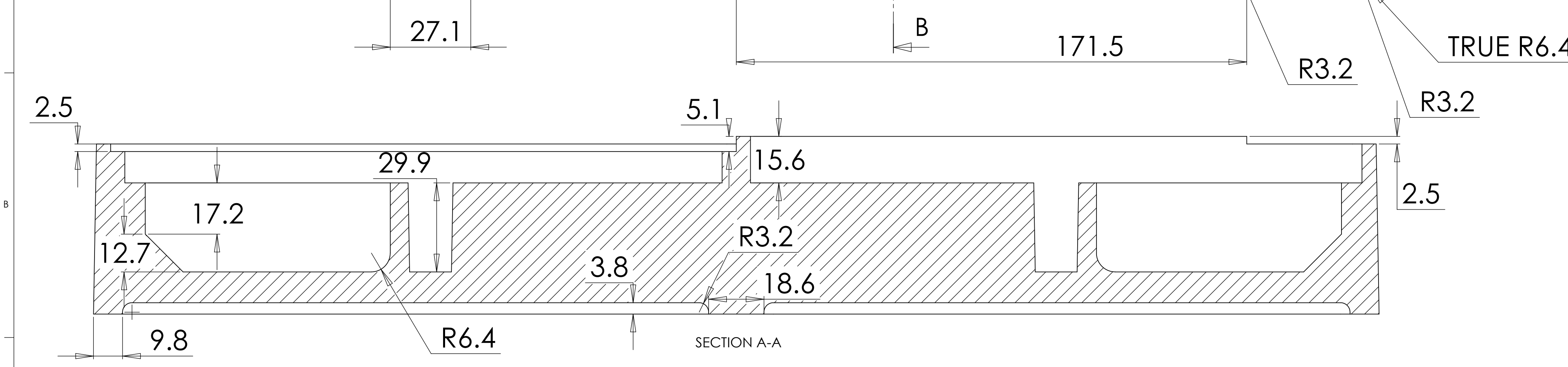
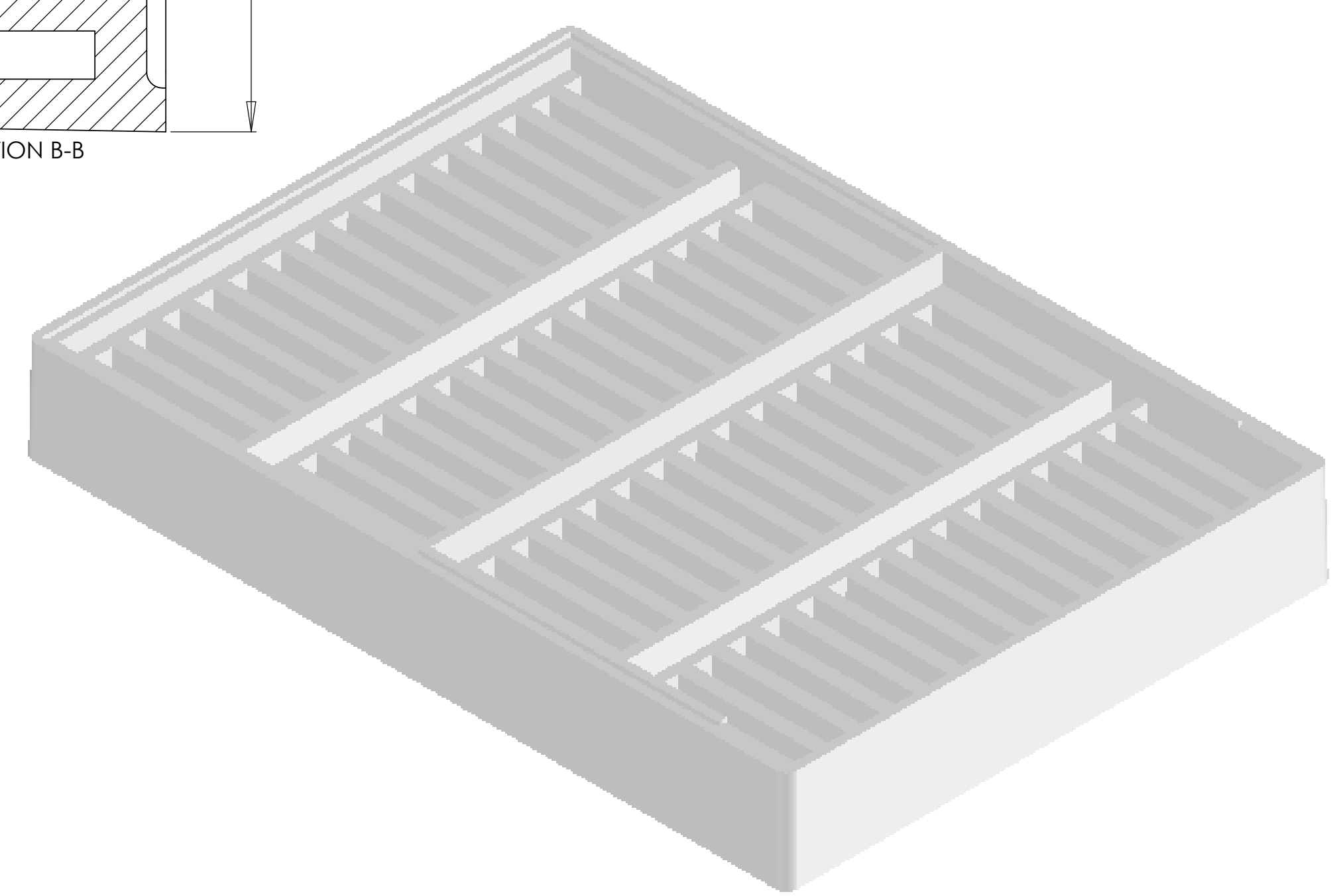


Note:
 1) Material To be 64g/l density (4.0 lb/ft3) EPS
 2) 1 Degree Draft TYP
 3) Volume = 237.9 cubic inches



PROPRIETARY AND CONFIDENTIAL
 THE INFORMATION CONTAINED IN THIS DRAWING IS THE SOLE PROPERTY OF Tempo Plazic Co., Inc. ANY REPRODUCTION IN PART OR AS A WHOLE WITHOUT THE WRITTEN PERMISSION OF Tempo Plazic Co., Inc. IS PROHIBITED.

| | | | | |
|-------------------------------|---------|---------|---------|-----------------------|
| UNLESS OTHERWISE SPECIFIED: | | NAME | DATE | TITLE: SC60 |
| DIMENSIONS ARE IN Millimeters | | Curcion | 8/12/05 | |
| TOLERANCES: | | | | |
| FRACTIONAL ± | | | | |
| ANGULAR MATCH ± | | | | SIZE |
| BEND ± | | | | DWG. NO. |
| THREE PLACE DECIMAL ± | | | | 1 |
| MFG APPR: | | | | REV |
| Q.A. | | | | |
| COMMENTS: | | | | |
| NEXT ASSY | USED ON | FINISH | | SCALE: 1:1.5 |
| APPLICATION | | | | SHEET 1 OF 1 |